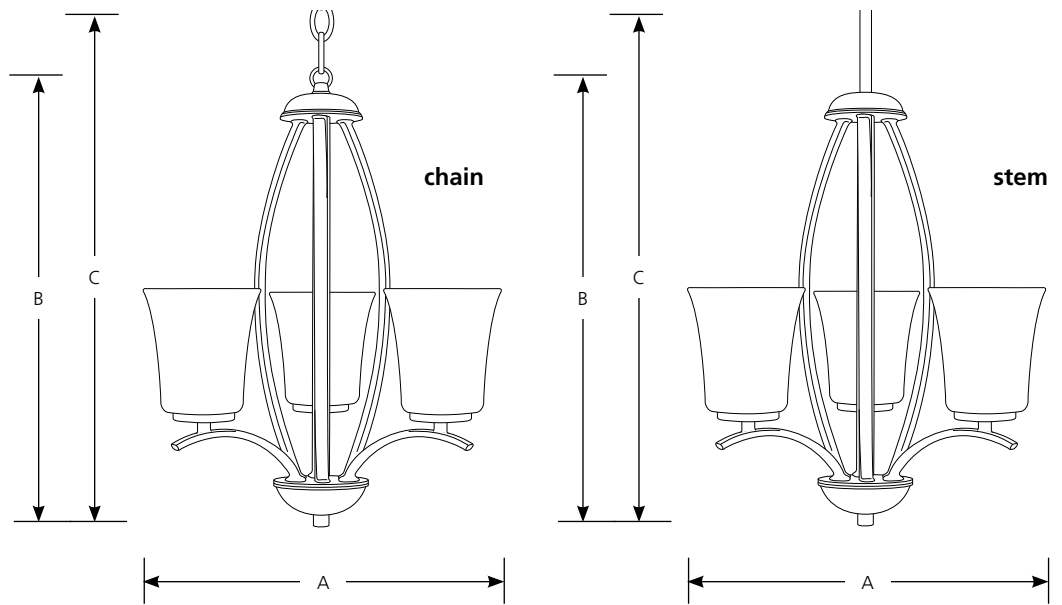


Type _____
 -09 -20
 P3587

| Catalog No. | Finish | | Lamping | Dimensions (Inches) | | |
|-------------|----------------|-----------------|-----------|---------------------|----|-----|
| | Brushed Nickel | Venetian Bronze | | A | B | C |
| P3587 | -09 | -20 | 3 (c) 60w | 14-5/8 | 17 | 104 |



Specifications:

General

- White etched glass (-09) or etched light amber glass (-20) shades: 6" dia.
- Brushed Nickel (-09) is plated, Antique Bronze (-20) is hand painted
- Steel construction
- 6' of 9 gauge chain and two 6" stems included
- Companion Bath and Vanity, Chandelier, Hall and Foyer, Pendant, Wall Bracket, fixtures are available

Mounting

- Ceiling chain or stem mount
- Canopy covers a standard 4" hexagonal recessed outlet box
- Mounting strap for outlet box included

Electrical

- Pre-wired
- Candelabra base porcelain sockets

Labeling

- UL/CUL listed