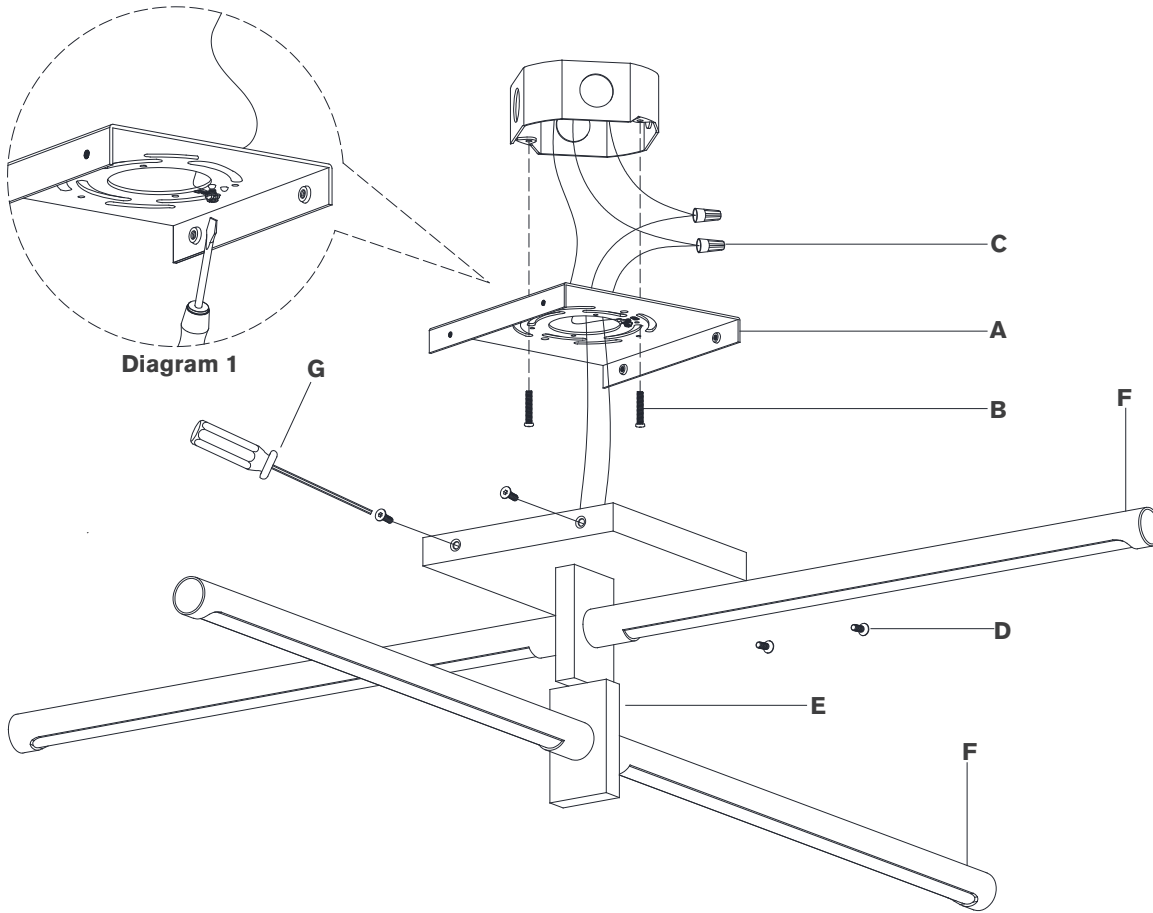


ASSEMBLY INSTRUCTIONS



Axis 36" Flush Mount

Item # KW4731

NOTICE:

This light fixture should be installed in accordance with all applicable, local installation codes, and by a person familiar with the construction and operation of it, as well as the hazards involved. Inspect item and contents carefully. If any damage or defect is found, do not install. Retain all packaging material until installation is complete and approved.

TOOLS REQUIRED (NOT INCLUDED):

Phillips Screwdriver Slotted Screwdriver

1. Carefully remove all parts from the box. Place on a clean, soft surface.
2. Remove mounting plate (A) from fixture (E) by removing screws (D) using provided wrench (G).
3. Install mounting plate (A) to the junction box and secure with mounting screws (B).
4. Connect the supply ground wire to the green ground screw on the mounting plate (A) and secure. (see diagram 1)
NOTE: It is imperative that the fixture is grounded.
5. Connect fixture neutral wire (white) to the supply neutral wire (usually white) using wire nut (C).
6. Connect fixture hot wire (black) to the supply hot wire (usually black) using wire nut (C).
CAUTION: Do not reverse the hot and neutral connections.
7. Make sure all wire connections are tight, then carefully tuck into the junction box.
8. Install fixture (E) to mounting plate (A) and secure with screws (D) using provided wrench (G).
9. Adjust shades (F) to desired angle.

Care Instructions: Clean only with a soft dry cloth or feather duster. Do Not use abrasive or chemical agents.