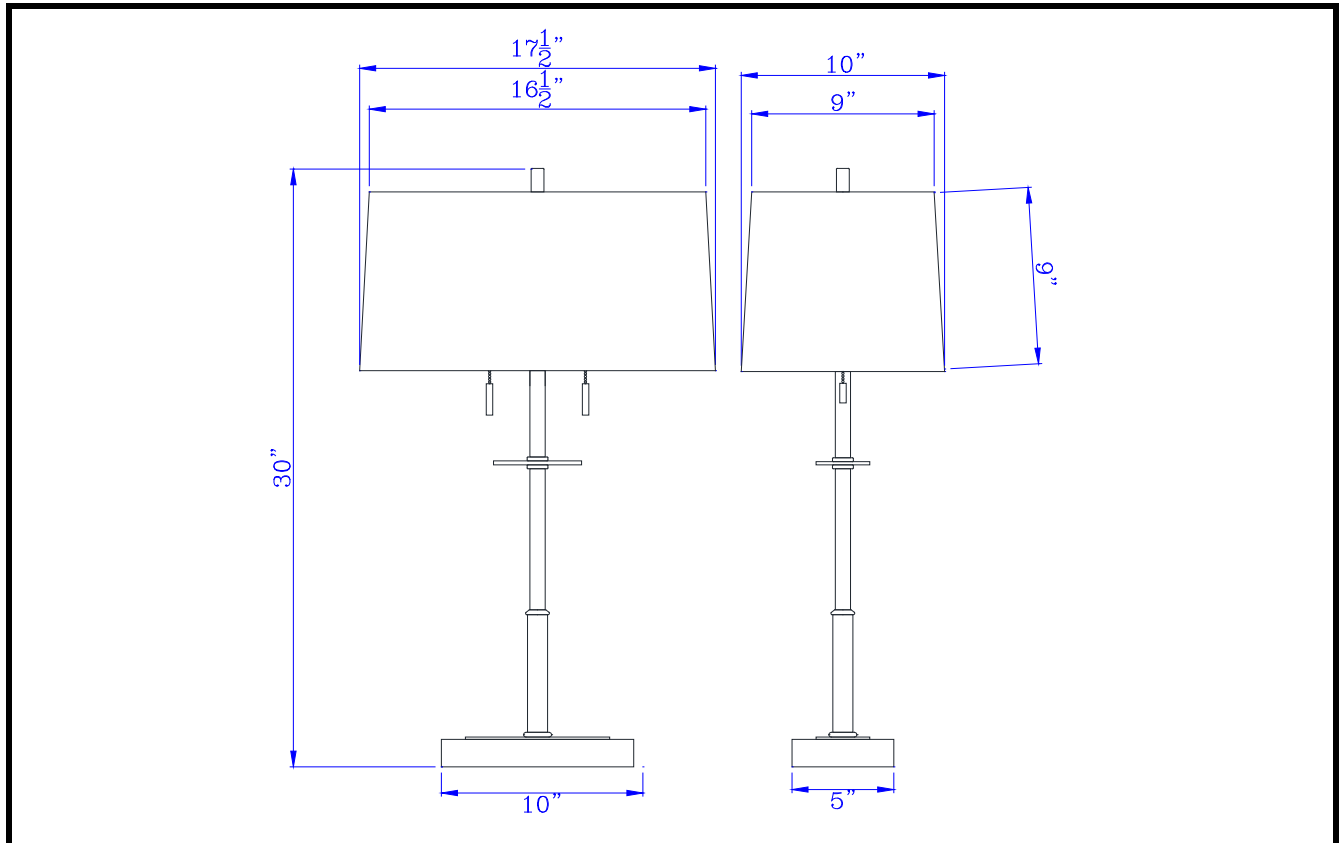




CAL LIGHTING

3625 E. Philadelphia St. Ontario CA. 91761 • Tel: 909.947.5200 • Fax:
909.947.5673 • www.calighting.com • service@calighting.com •
Specifications subject to change without notice

Type: _____
Project: _____
Catalog No.: _____
Lamp/Wattage: _____



Model No: BO-2802TB
Description: 60W x 2 Norwich metal table lamp with fabric shade
Material: METAL
Finish : Brushed steel
Height: 30"
Reach/Depth: 10"
Base Width: 10"x5"
Wattage : 60Wx2
Socket : Medium Base (E26)
Switch: On/off chain
Bulb: Incandescent, CFL
Wire Length: 6'
Wire Color: Silver
Shade No:
Material: Linen
Shade size: 9"x16 1/2"x10"x17 1/2"x9"

Certificate :

