



# CAL LIGHTING

3625 E. Philadelphia St. Ontario CA. 91761 • Tel: 909.947.5200 • Fax:  
909.947.5673 • www.calighting.com • service@calighting.com •  
Specifications subject to change without notice

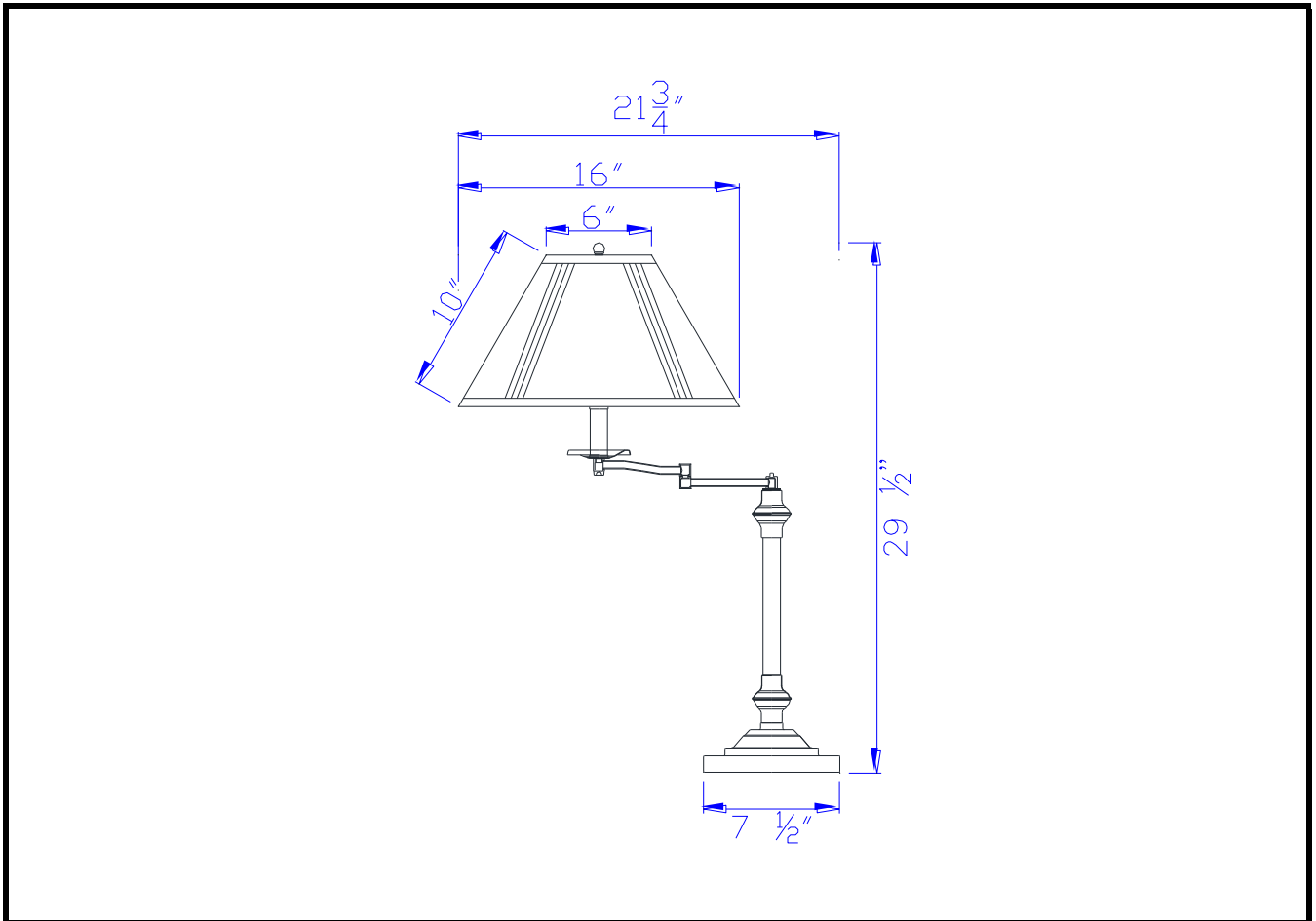
Type: \_\_\_\_\_

Project: \_\_\_\_\_

Catalog No.: \_\_\_\_\_

Lamp/Wattage: \_\_\_\_\_

## Drawing:



- Model No:** BO-342
- Description:** Swing Arm Table Lamp With Mushroom Shade
- Material:** Metal
- Finish :** AB (Antique Bronze)
- Height:** 29 1/2"
- Base Width:** 7 1/2"
- Wattage :** 150W
- Socket :** Medium Base (E27)
- Switch:** 3 way
- Bulb:** Incandescent, CFL
- Wire Length:** 6'
- Wire Color:** Gold
- Shade No:** SH-2002-OW
- Material:** Linen
- Shade size:** 6"X16"X10"

**Certificate :**

