

Stock Code: **62361LEDD-CH/CRY**

Collection: Magari

PRODUCT INFORMATION

Base: 62361 Parent: 62361LEDD
Mounting Type: Ceiling UPC: 641594223743
Finish: Chrome
Diffuser: Crystal

PRODUCT MEASUREMENTS

FIXTURE	BACKPLATE / CANOPY
Length: 33"	Length 4.5"
Width: 9"	Width: 7"
Diameter	Diameter:
Height: 8.5"	Height:
Extension:	
Overall Height: 10-126"	

TECHNICAL SPECIFICATIONS

SPECIFICATIONS

Frame Material: Stainless Steel
Diffuser Material: Glass
Lamping Type: SSL (Dedicated LED) Jbox: Standard
Lamping Base: SSL Lamp Wattage: 30 W
Lamp Quantity: 1 Total Wattage: 30 W
Voltage: 120v Lamps Included: Yes

QUALIFICATIONS

Location Rating Dry
Certification: ETL (US/Canada) Listed
ADA Compliant No Energy Star: No
JA8 Compliant: No Emergency Lighting: No
Marine Grade: No Warranty: 5 Year

PHOTOMETRICS

Dimmable: Yes Nominal Lumens 2700 Lm
CRI: 80 Delivered Lumens: N/A
CCT: 3000K
Recommended Dimmers:
(TRIAC)LUTRON Skylark CL SCL-153 or SCL-153P;
(TRIAC)LUTRON Diva DVCL-153P; (ELV)LUTRON Maestro CL
MACL-153M; (ELV)LUTRON Skylark Contour CTCL-153P;
(TRIAC)LEVITON Surslide 6631

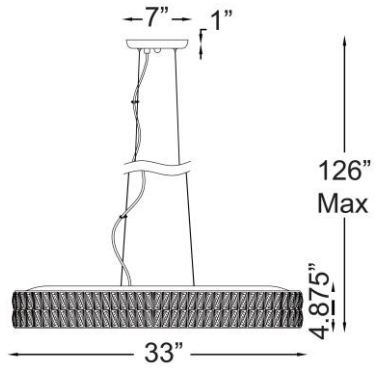
Additional Notes:

10 feet of aircraft cable and cord included

Project Name: _____
Location: _____
Type: _____
Quantity: _____
Notes: _____



LINE DRAWING



IES FILE

In addition to Access Lighting's purchase and warranty terms and conditions, by signing below or placing an order, you agree that you are authorized to bind the entity placing any order and acknowledge the following: All of sizes and measurements are approximate and all images are for illustrative purposes only. In the event of an inconsistency, the "Product Measurements" section controls. There also may be slight differences in the colors and designs compared to the displayed and printed images.

Signature: _____

Print Name _____ Date: _____

Toll Free 800-828-5483 www.AccessLighting.com

14410 Myford Road, Irvine, CA 92606

