

Please go to www. quoizel. com for product cleaning tips. Go to the **Care + Maintenance** selection.

Tools Required: Flathead screwdriver, Phillips screwdriver, pliers, wire cutters, wire strippers, electrical tape, safety glasses.

Light Source: (1) A21 Medium Base bulb 150W Maximum.

Estimated Assembly Time: 20-30 minutes

Preparation: Identify and inspect all parts before beginning installation. Check package content list and diagrams below to ensure all parts are present. If any parts are missing or damaged, do not attempt to assemble, install, or operate the fixture. Contact customer service for replacement parts.

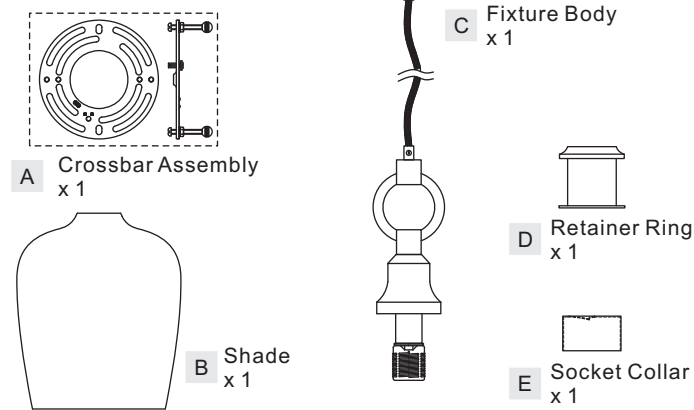
⚠ Warnings and Cautions

Turn off electricity at circuit breaker or main fuse box before installation. Consult a licensed electrician if in doubt.

These instructions are provided for your safety. It is very important you read them completely before installing the fixture. We strongly recommend that a licensed, professional electrician perform the installation.

Disconnect fixture from power source before replacing bulbs. Make sure bulbs are given sufficient time to cool before removal.

Package Contents



(Step 2 Continued)

correct length is achieved. Once the ceiling canopy and Fixture Body (C) is secure, remove the mounting ball and Fixture Body (C) and proceed to Step 3.

STEP 3 - Adjust Fixture Height

A. Adjust cord to your desired hanging height by pulling the wire in the direction you desire. With a screwdriver, remove the Screw to open the Wire Clasp in the ceiling canopy. Adjust the length of Wire to achieve your desired lamp height. Once lamp achieves your desired height, secure the lamp by reinstalling the Screw to Wire Clasp and tighten until snug.

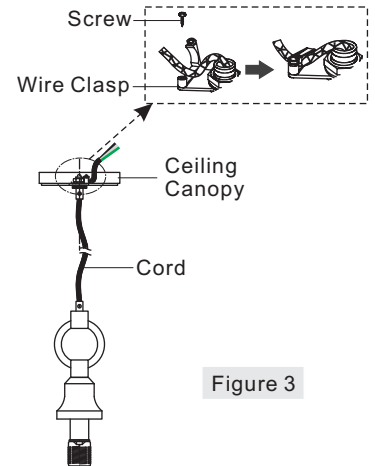


Figure 3

STEP 1 - Installing the Crossbar Assembly

A. Pass the supply wires through the Crossbar Assembly (A). Attach the Crossbar Assembly (A) to the Outlet Box with the head of the Green Ground Screw facing you. Secure the Crossbar Assembly (A) with Outlet Box Screws (not included). Tighten until snug.

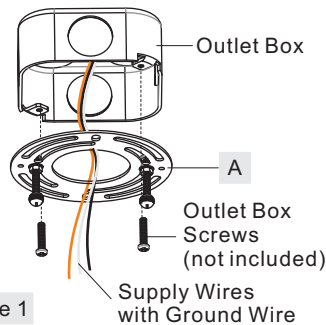


Figure 1

STEP 4 - Wire Connections

A. Wrap bare or green ground wire around green ground screw on the crossbar, no less than 2 inches from the end of the wire. Tighten the green ground screw.
B. Use standard wire connectors (not included) to make all wire connections. Twist connectors until wires are tightly joined together. Wrap each connection with approved electrical tape and carefully stuff all the connected wires into the Outlet Box.

Note: If the electrical wire is going to be cut shorter than provided. Please leave approximately 10" of wire extruding from the Ceiling Canopy. Strip back the wire covering the 3 fixture wires as far as you need to. This will expose each fixture wire individually.

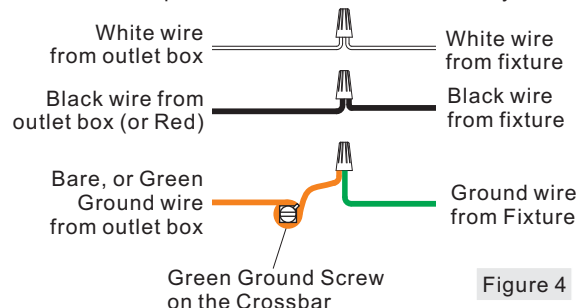


Figure 4

STEP 2 - Test Fit the Ceiling Canopy to the Crossbar Assembly

A. Remove the mounting balls from the Crossbar Assembly (A). Place the ceiling canopy and Fixture Body (C) onto the Crossbar Assembly (A) and secure with mounting balls. Note: The ceiling canopy and Fixture Body (C) should be snug against the ceiling and held tight with the mounting balls. If it is not, adjust the length of the mounting screws on the Crossbar Assembly (A) by unscrewing the preassembled hex nut and lock washer and then screwing the mounting screws in or out of the crossbar until the

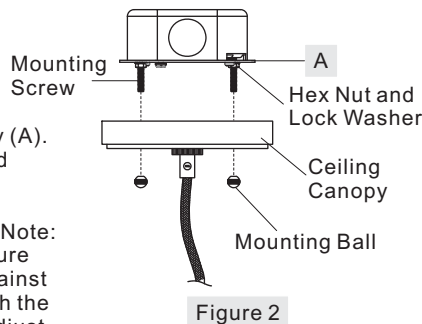


Figure 2

Thank you for purchasing a Quoizel product.
Need assistance with parts or assembly? Call Quoizel customer service at 1-800-645-3184
or visit us on-line at www. quoizel. com

STEP 5 – Install the Fixture Body

- A. Position the ceiling canopy and Fixture Body (C) onto the Crossbar Assembly (A). Place the holes in the ceiling canopy over the mounting screws. Secure the Fixture Body by using the mounting balls and hand tighten the mounting balls until snug.

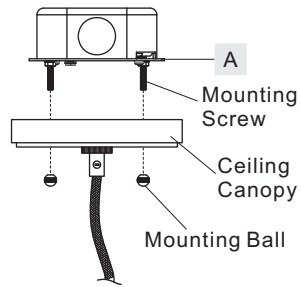


Figure 5

STEP 6 – Install Shade and Bulb

- A. Place the Shade (B) and the Retainer Ring (D) over the socket as shown. Secure by threading the Socket Collar (E) onto the socket. Hand tighten until snug.
- B. Install the bulb onto socket and screw snugly into place.

Your fixture is now assembled and ready to use. Enjoy!

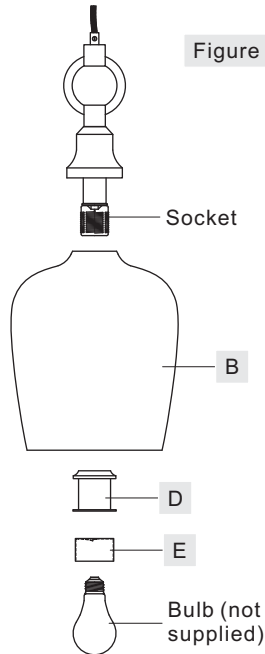
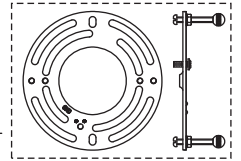


Figure 6

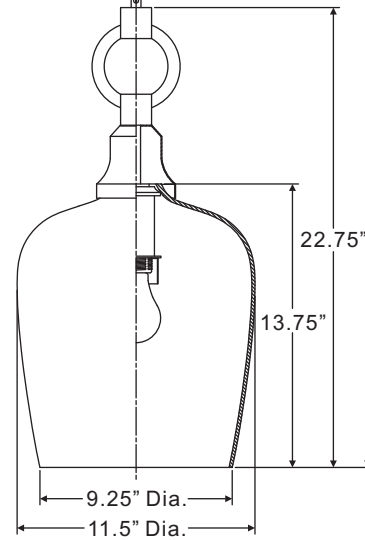
CKKD1512WT

FINISH: WESTERN BRONZE



5.5" Dia.

120.75" OVERALL HEIGHT (96" CORD LENGTH INCLUDED)



NOTE: ALL DIMENSIONS ARE ROUNDED UP TO THE NEAREST 1/4"

Thank you for purchasing a Quoizel product.

Need assistance with parts or assembly? Call Quoizel customer service at 1-800-645-3184 or visit us on-line at www.quoizel.com