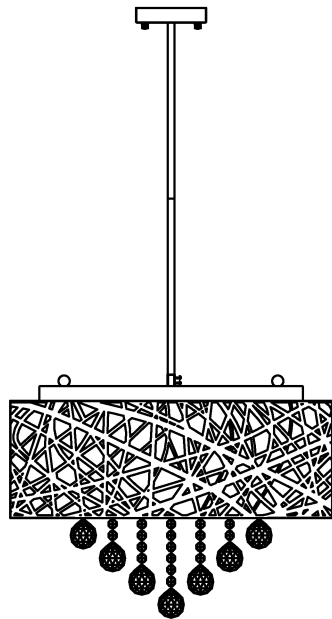


Trade Mark:  
CRYSTAL WORLD INC

Product Name: Pendant lamp  
Model :5008P22C-R  
120Vac, 60Hz,AC ONLY  
Lamp Size:Ø22"X48"H

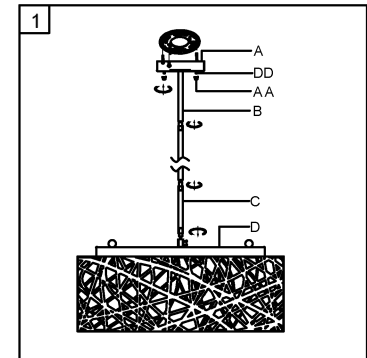


## PENDANT LAMP ASSEMBLY INSTRUCTIONS

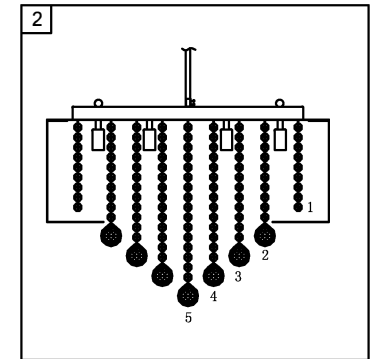
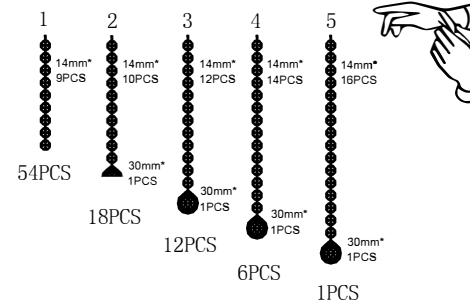
1. Place fixture(A) onto mounting screws (DD).secure with cap nuts (AA). Please fix (A) with (B).(B) with (C), (C) with (D).

### Hardware Used

AA Cap nut  X 2  
DD Mounting screw  X 2



2. Please hang the crystal(1) (2)(3)(4)(5) to the fixture .



3. Install light bulbs ( not included).  
Use bulb  
**120V G9 9\*40W Max.** 