

Installation Instructions

ITEM NO. : FX-3704-5

NOTE:

Remove all parts and hardware from the box along with any plastic protective packaging and carefully lay all the parts out on a clean, flat surface.

Recommended Location for use: Dry indoor environment.

Use UL listed wire connectors for connections.

Use 60 Wattage*5 (Maximum) type
T10 OR A19 bulb (bulb not included)

Installation

Shut off main power at circuit breaker before attempting to install luminaire.

1. Install the recommended bulb (not included).
2. Install the glass (B).
3. Screw the Iron pipe (C) to the lighting body (A).
4. Install mounting plate (D) to junction box using mounting screws (E).
5. Hold the lighting body (A), pull the existing electrical wires out of the junction box and make proper connections with this fixture using wire nuts.
6. Attach the canopy (G) to the mounting plate (D) and secure it with screws (F).
7. Use the quick links (H) on the chain (I) to join the light body and the canopy (G) and release the fixture.

Turn on the main power and enjoy!

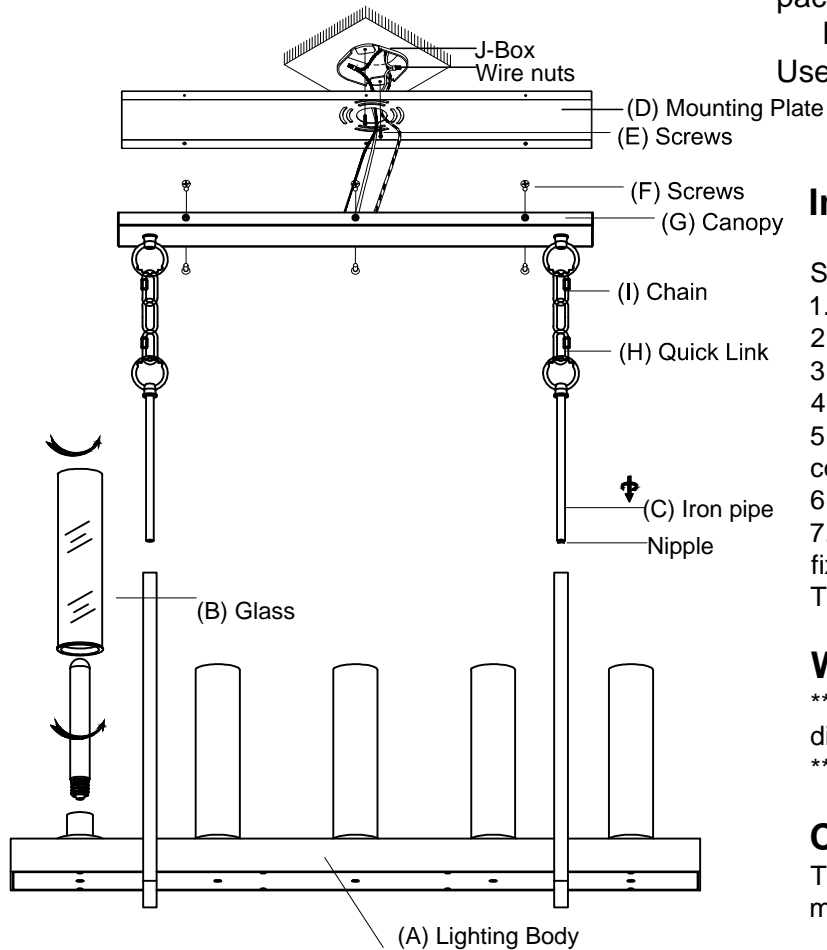
WARNING

*** To ensure the success of the installation, be sure to read these instructions and review the diagrams thoroughly before beginning.

*** Installation must be performed by a qualified electrician.

Cleaning & Care:

To clean, wipe the fixture with a soft, dry cloth. Avoid the use of harsh or abrasive chemicals as they may damage the finish.



SAVE THESE INSTRUCTIONS FOR FUTURE REFERENCE.