

# Installation Guide For Style TF5209TWT

## Light Source



**BULB BASE TYPE**  
Medium (E26)



**BULB SHAPE TYPE**  
TYPE A

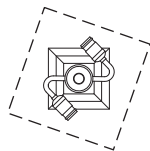
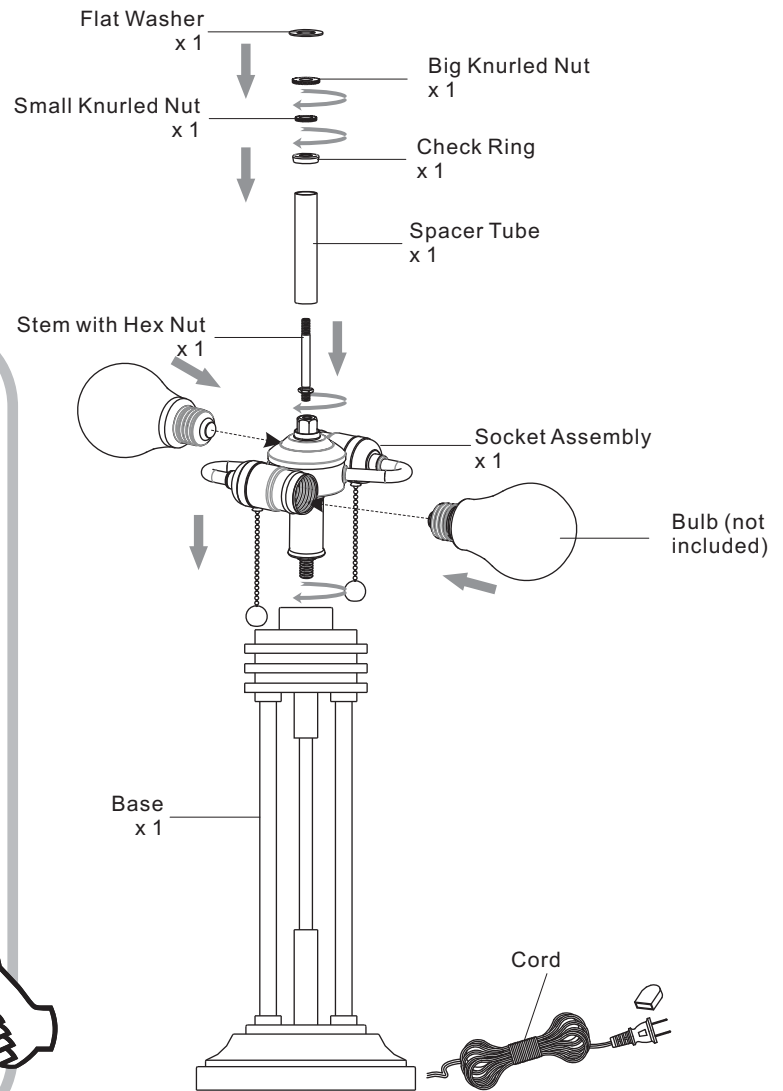
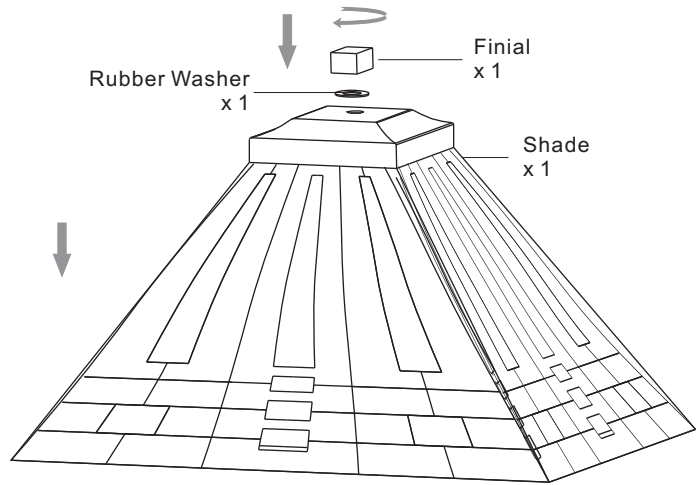
**2 BULB REQUIRED**  
**BULB NOT INCLUDED**

For general cleaning of tiffany shades use a gentle lemon oil-based furniture polish applied to a soft cloth and wipe gently.

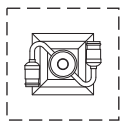
### ⚠ Warnings and Cautions

Turn off the electricity at the circuit breaker before installation. Consult a licensed electrician if in doubt about installation.

Turn off power to the fixture and allow the bulbs to cool before replacing.



**Incorrect**  
base/ socket/  
shade Orientation



**Correct**  
base/ socket/  
shade Orientation

