

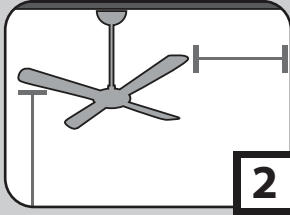
Congratulations on purchasing your new Casablanca® ceiling fan! It will provide comfort and performance in your home or office for many years. This installation and operation manual contains complete instructions for installing and operating your fan.

We are proud of our work and appreciate the opportunity to supply you with the best ceiling fan available anywhere in the world.

**To register your fan, please visit:**  
[www.CasablancaFanCo.com/register](http://www.CasablancaFanCo.com/register)

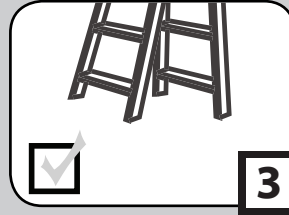
Save your receipt for proof of purchase.

## What to Expect with Your Installation



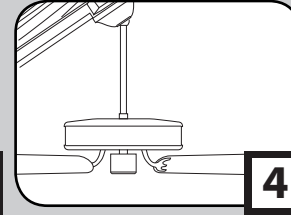
**2** PAGE

## Tools Needed



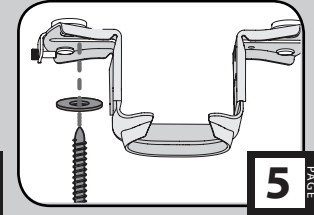
**3** PAGE

## Ceiling Options



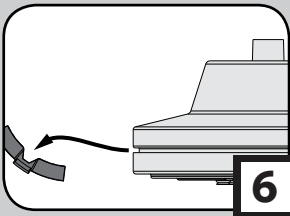
**4** PAGE

## Ceiling Bracket



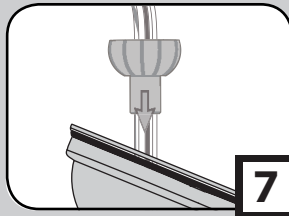
**5** PAGE

## Preparation



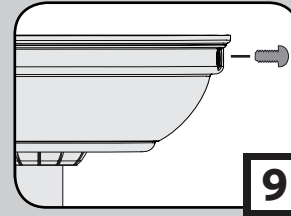
**6** PAGE

## Downrod



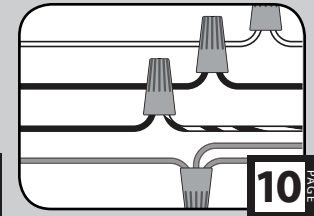
**7** PAGE

## Canopy



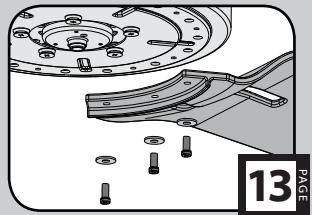
**9** PAGE

## Wiring



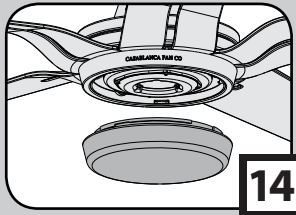
**10** PAGE

## Blades



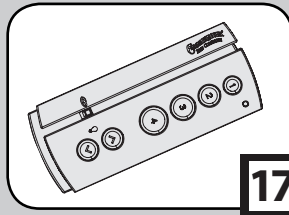
**13** PAGE

## Switch Housing & Light Kit



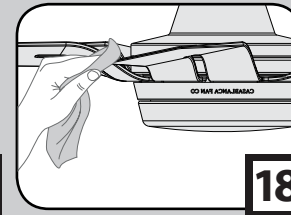
**14** PAGE

## Remote Control



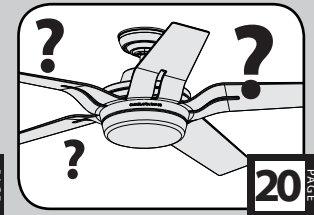
**17** PAGE

## Operation, Maintenance & Cleaning



**18** PAGE

## Troubleshooting



**20** PAGE

# What to Expect with Your Installation

www.CasablancaFanCo.com

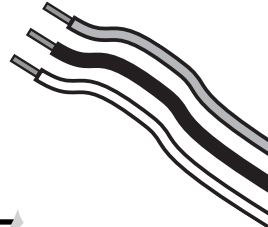
1.888.227.2178



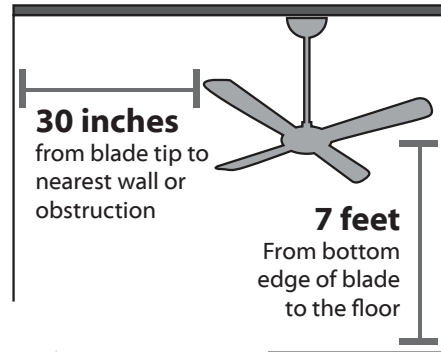
Must be able to secure the fan to building structure or fan-rated outlet box



If you are unfamiliar with wiring, use a qualified electrician.



Know your wiring



Assess location

You may need a friend to help you.



Check box to see fan weight



Ceilings that are more than 34° will require an angled mounting kit. See page 3 for details.



Assess ceiling angle

**1 Standard Downrod**  
for ceilings 8-10 feet high

**2 Shorter Downrod**  
for fans installed close to ceiling

**3 Longer Downrod**  
for ceilings 10 feet or higher



Select a downrod length

## Read and Save These Instructions

This product conforms to UL Standard 507.

### ⚠ WARNINGS

w.1 - To reduce the risk of fire, electrical shock, or personal injury, mount fan directly from building structure and/or an outlet box marked acceptable for fan support of 70 lbs (31.8 kg) and use the mounting screws provided with the outlet box.

w.2 - To avoid possible electrical shock, before installing or servicing your fan, disconnect the power by turning off the circuit breakers to the outlet box and associated wall switch location. If you cannot lock the circuit breakers in the off position, securely fasten a prominent warning device, such as a tag, to the service panel.

w.3 - To reduce the risk of fire, electrical shock, or motor damage, use only Casablanca Solid State Speed Controls.

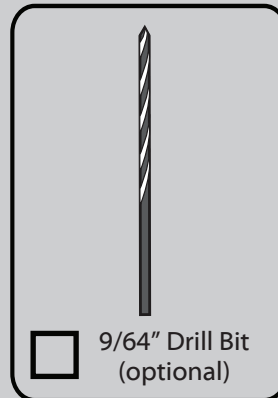
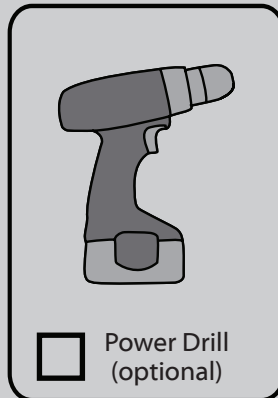
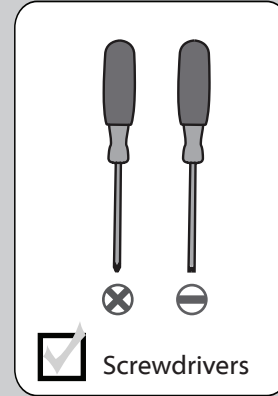
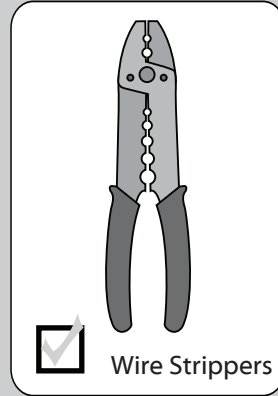
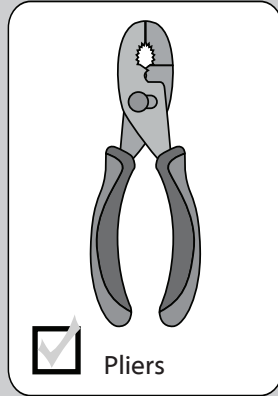
w.4 - To reduce the risk of personal injury, do not bend the blade brackets when installing the blade brackets, balancing the blades, or cleaning the fan. Do not insert foreign objects in between rotating fan blades.

### ⚠ CAUTIONS

c.1 - All wiring must be in accordance with national and local electrical codes ANSI/NFPA 70. If you are unfamiliar with wiring, use a qualified electrician.

c.2 - Use only Casablanca replacement parts.

*This equipment has been tested and found to comply with the limits for a Class B digital device, pursuant to part 15 of the FCC Rules. These limits are to provide reasonable protection against harmful interference in a residential installation. This equipment generates, uses and can radiate radio frequency energy and if not installed and used in accordance with the instructions may cause harmful interference to radio communications.*



**If mounting to a support structure, you will also need these tools.**

34°

CEILING ▲

**If you have a flat ceiling:**Hang your fan by a standard downrod (*included*).Standard  
Mounting**OPTION 1****If you have an angled ceiling:**

1. You will need a longer downrod (*sold separately*).
2. If your ceiling angle is greater than 34°, you will also need an Angled Mounting Kit (*sold separately*).

Angled  
Mounting**OPTION 2**

Use the three steps below to determine if your ceiling angle is greater than 34°



1

**FOLD**  
on dotted line

2

**PLACE**  
against wall

3

**SLIDE**  
toward ceiling**SITUATION 1**

Guide Touches  
**BOTH** Ceiling & Wall

You need **ONLY**  
a Longer  
Downrod

*\*most common*

**SITUATION 2**

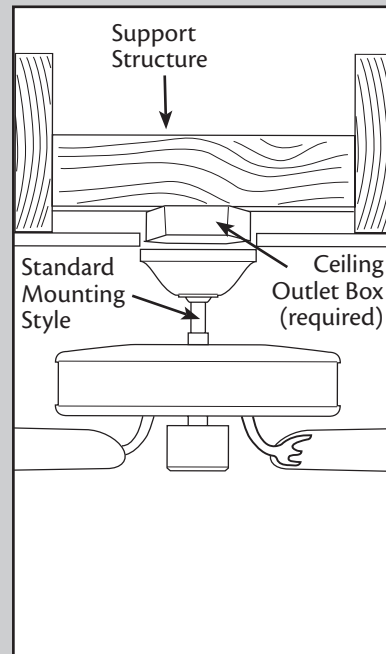
Guide Touches Wall  
but **NOT** Ceiling

You need **BOTH**  
a Longer  
Downrod &  
an Angled  
Mounting Kit

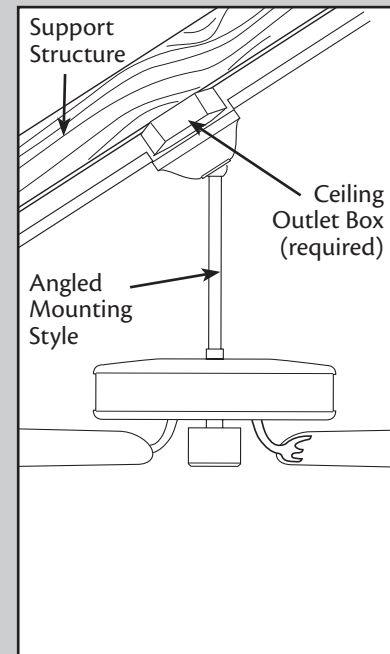
**Ceiling Options**

www.CasablancaFanCo.com

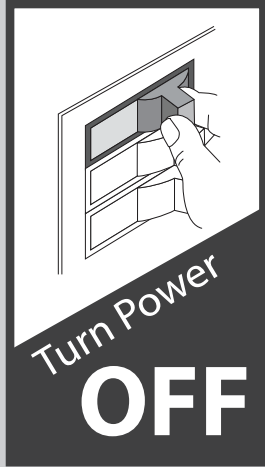
1.888.227.2178



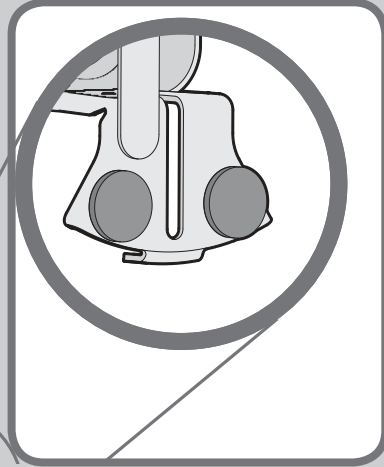
Use **Standard Mounting**  
or **Low-Profile Mounting**  
to hang the fan from a flat ceiling.



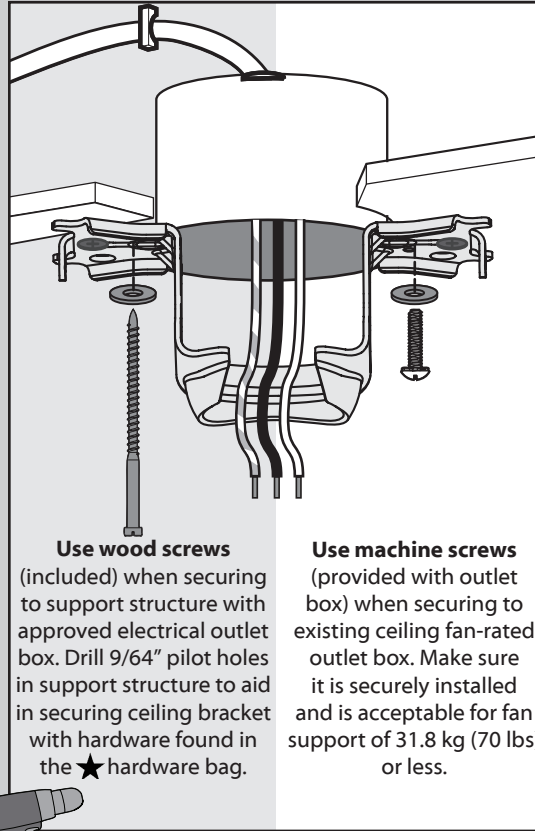
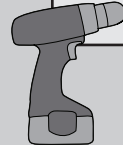
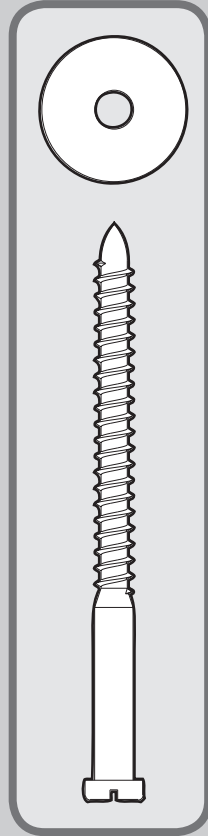
Use **Angled Mounting**  
to hang the fan from a  
vaulted or angled ceiling.



Turn Power  
**OFF**



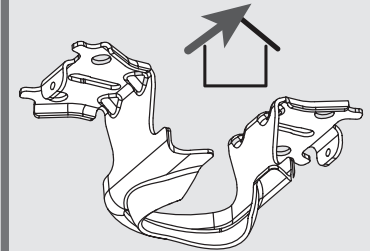
Make sure all four bumpers are still attached.



**Use wood screws** (included) when securing to support structure with approved electrical outlet box. Drill 9/64" pilot holes in support structure to aid in securing ceiling bracket with hardware found in the ★ hardware bag.

**Use machine screws** (provided with outlet box) when securing to existing ceiling fan-rated outlet box. Make sure it is securely installed and is acceptable for fan support of 31.8 kg (70 lbs) or less.

For angled ceilings, point opening toward peak.



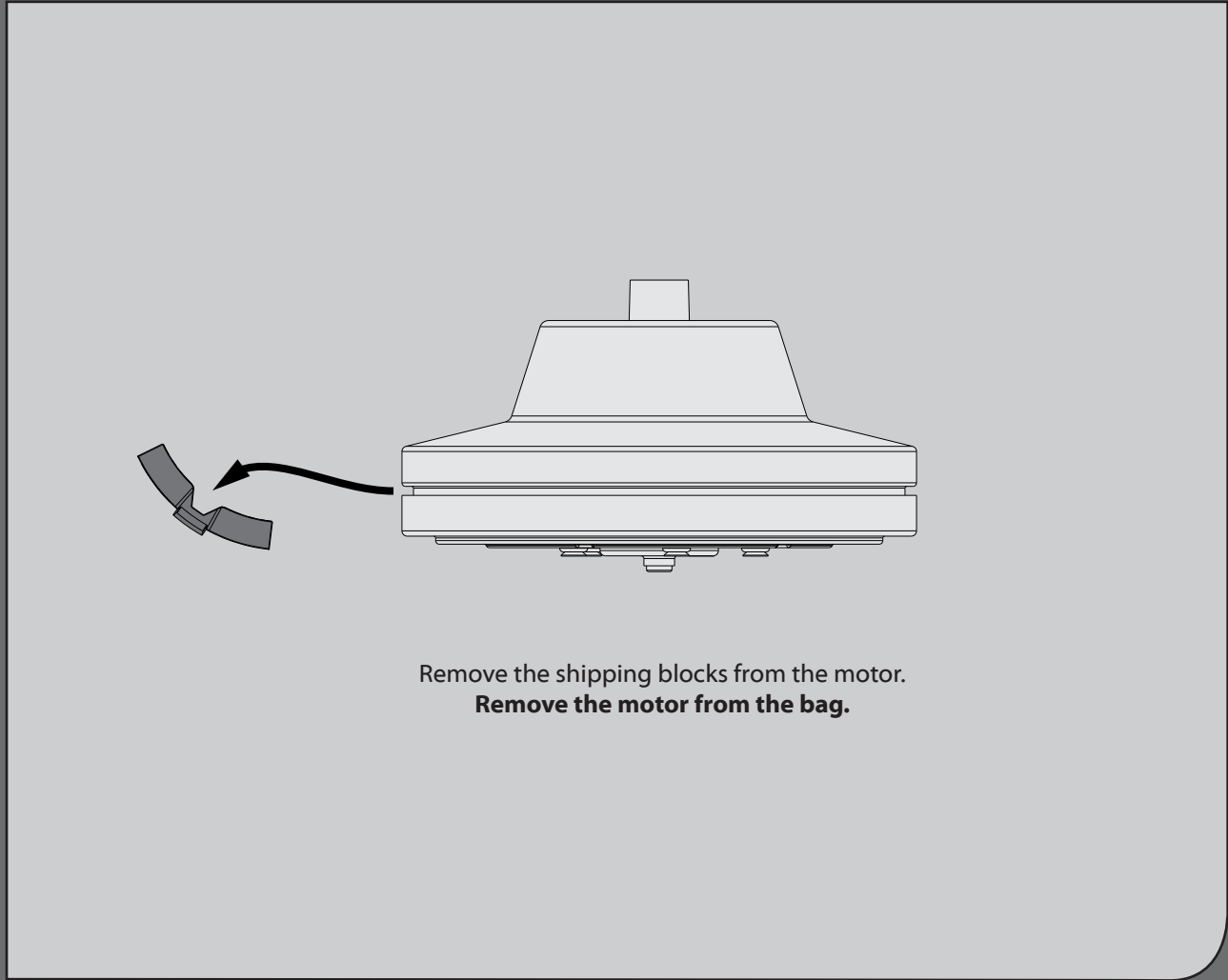
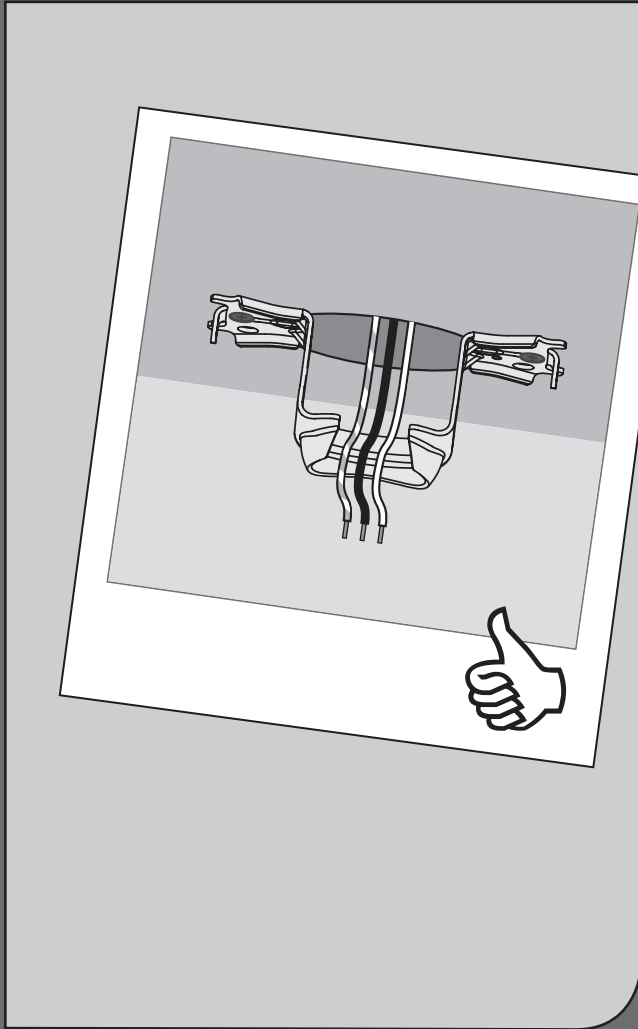
If you are unable to do this, call Technical Support at 1-888-227-2178.

To avoid possible electrical shock, before installing your fan, disconnect the power by turning off the circuit breakers to the outlet box associated with the wall switch location.



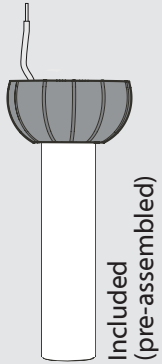
Refer to warning w.1 on pg. 2





For Standard Mount

**Standard Downrod**  
for ceilings 8-10' high



Included  
(pre-assembled)

For Low Profile

**Shorter Downrod**  
for fans installed  
close to ceiling



Sold Separately

For Standard Mount

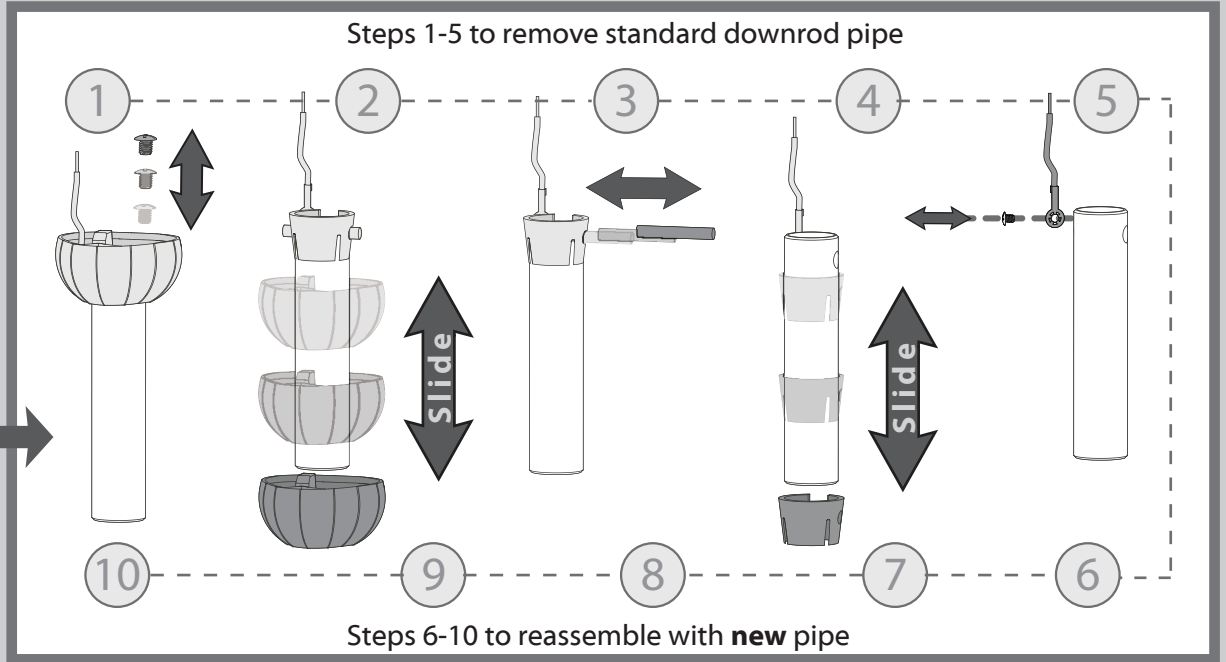
**Longer Downrod**  
for angled  
ceilings or  
ceilings 10' or  
higher

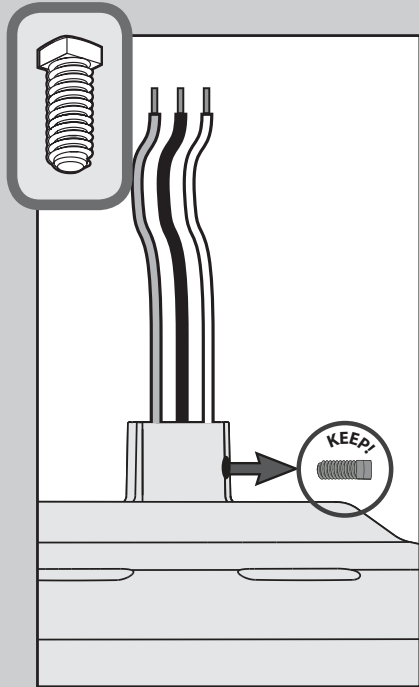


Sold Separately

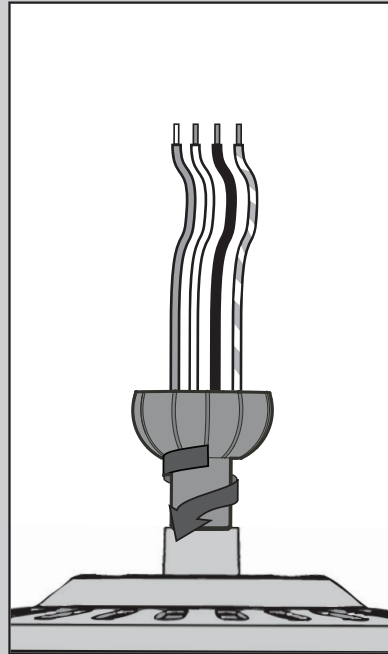
skip to next page

If you need a different downrod length follow these steps:

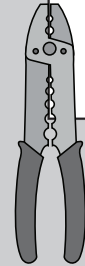
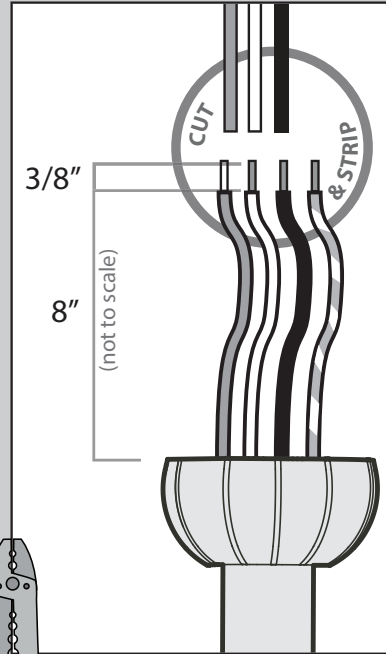




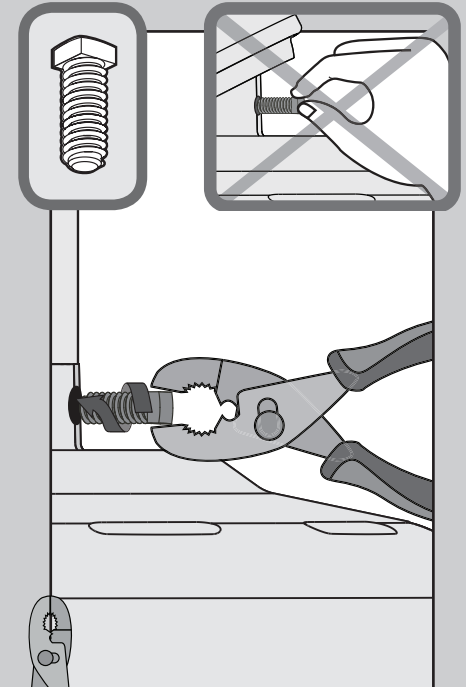
Remove the pre-installed setscrew so that the downrod can be inserted.



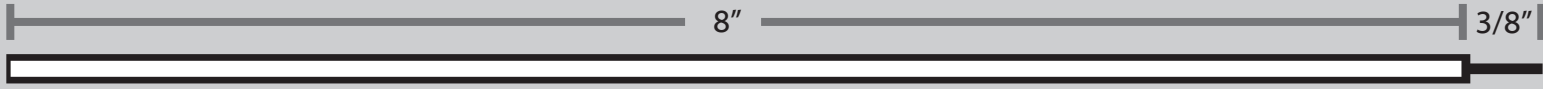
Hand tighten the downrod (at least 4-5 full turns) until it stops.



The wires can be cut, but leave at least 8" extending from the top of the downrod.

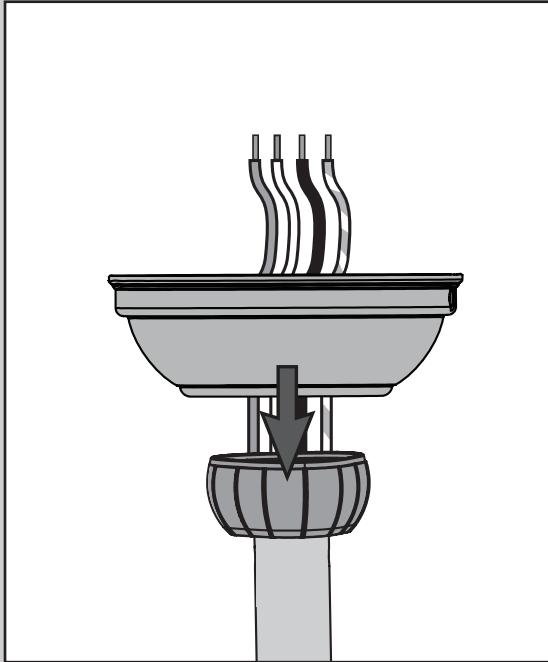


Tighten the setscrew with pliers. **DO NOT HAND TIGHTEN.**

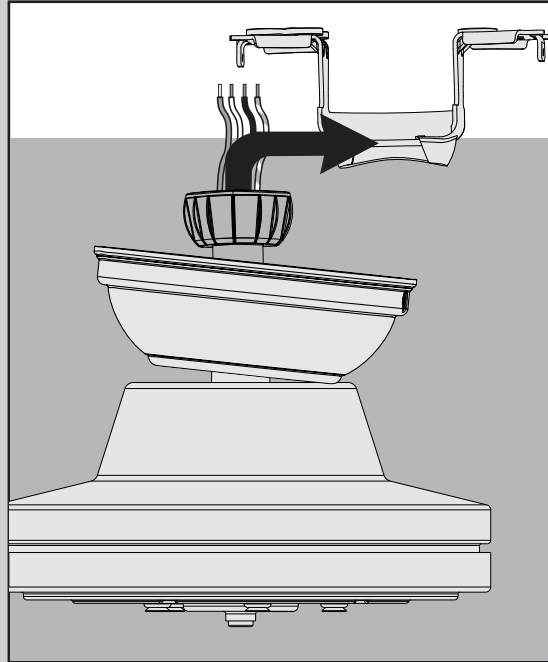


If the setscrew is not tightened securely, the fan may fall.

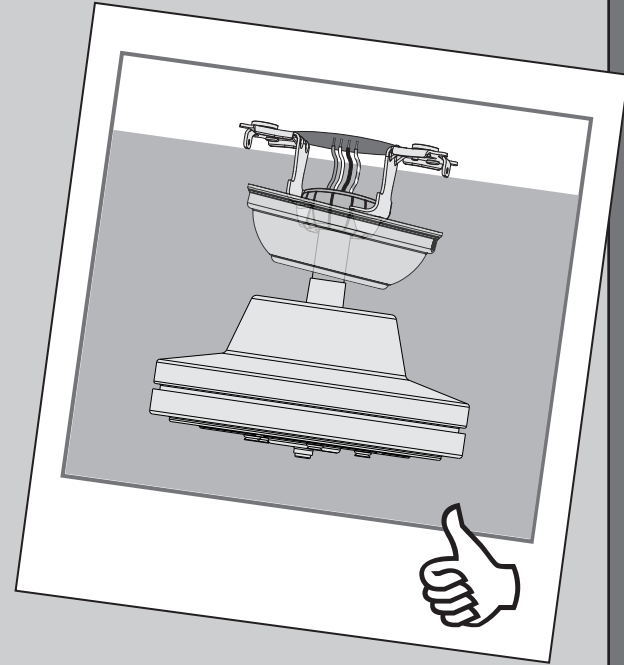


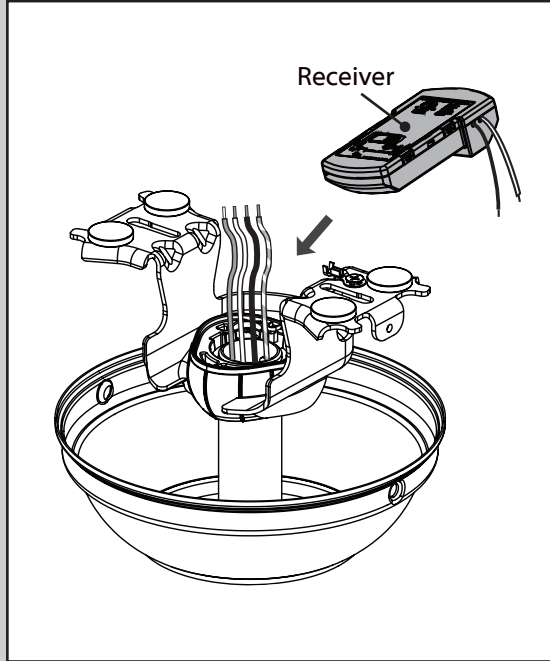


Put the wires and downrod through the canopy. Let the canopy sit loosely on top of the fan.



**DO NOT PICK THE FAN UP BY THE CANOPY OR WIRES.** Place the downrod ball into the slot in the ceiling bracket.





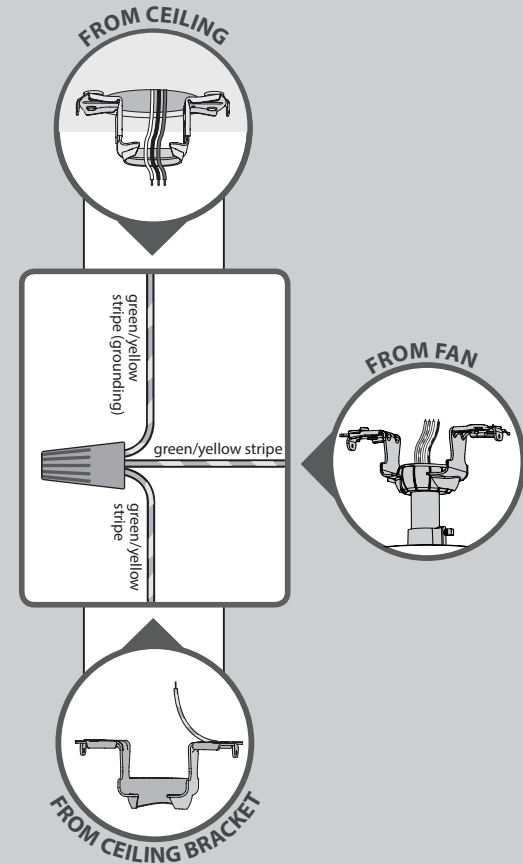
Place the receiver on top of the downrod assembly as shown.

**Note:** If using the optional Low Profile canopy, you may need to carefully tilt the fan assembly at an angle while connecting the wires.

**Be sure to tilt the fan AWAY from the opening in the ceiling bracket and ensure the fan does not fall.**

Using an orange wire connector from the ★ hardware bag:  
Connect the 3 grounding wires (green, green/yellow stripe, or bare copper) coming from the ceiling, downrod, and ceiling bracket.

**Note:** To connect the wires, hold the bare metal leads together and place a wire connector over them, then twist clockwise until tight.



Refer to CAUTION c.1 on pg. 2

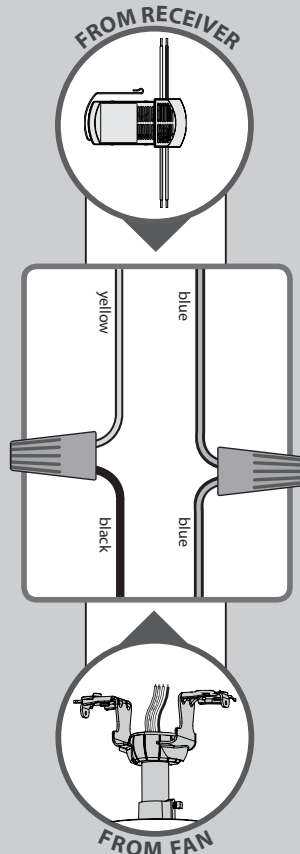


Turn the splices upward and push them carefully back through the hanger bracket into the outlet box. Spread the wires apart, with the grounded wires on one side of the outlet box and the ungrounded wires on the other side of the outlet box.



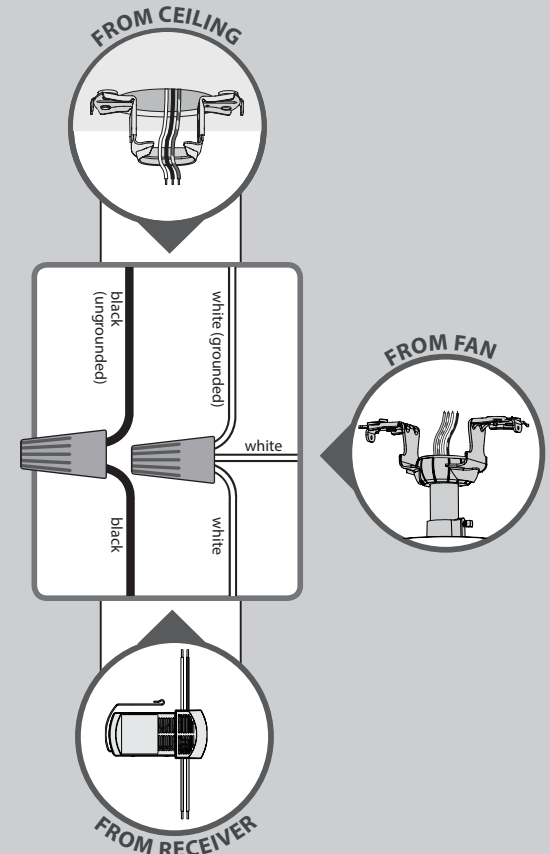
Using the orange wire connectors from the remote control hardware bag:

- Connect the yellow wire from the receiver to the black wire from the fan.
- Connect the blue wire from the receiver to the blue wire (or possibly black with white stripe wire) from the fan.



Using the orange wire connectors from the ★ hardware bag:

- Connect the black (ungrounded) wire from the ceiling to the black wire from the receiver.
- Connect the white (grounded) wire from the ceiling to both the white wire from the receiver and the white wire from the fan.

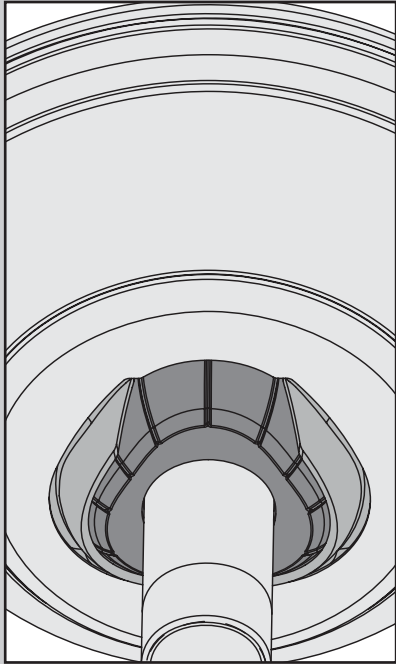


Refer to CAUTION c.1 on pg. 2

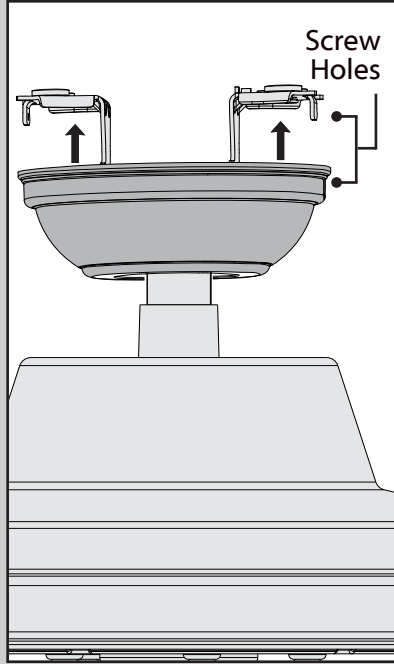


Turn the splices upward and push them carefully back through the hanger bracket into the outlet box. Spread the wires apart, with the grounded wires on one side of the outlet box and the ungrounded wires on the other side of the outlet box.

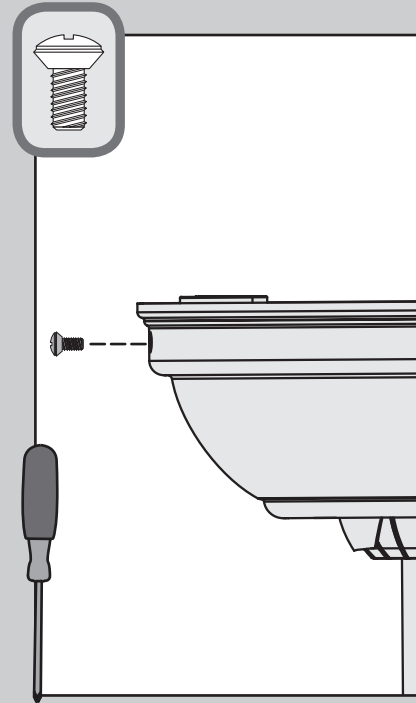




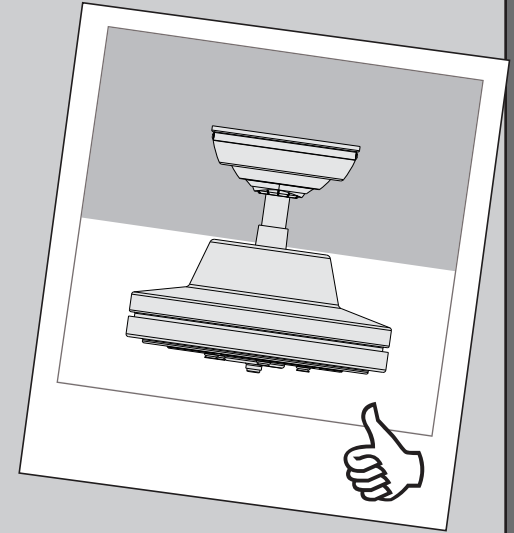
Position the canopy so that, when lifted into place, the canopy fits into the hanging bracket as shown.

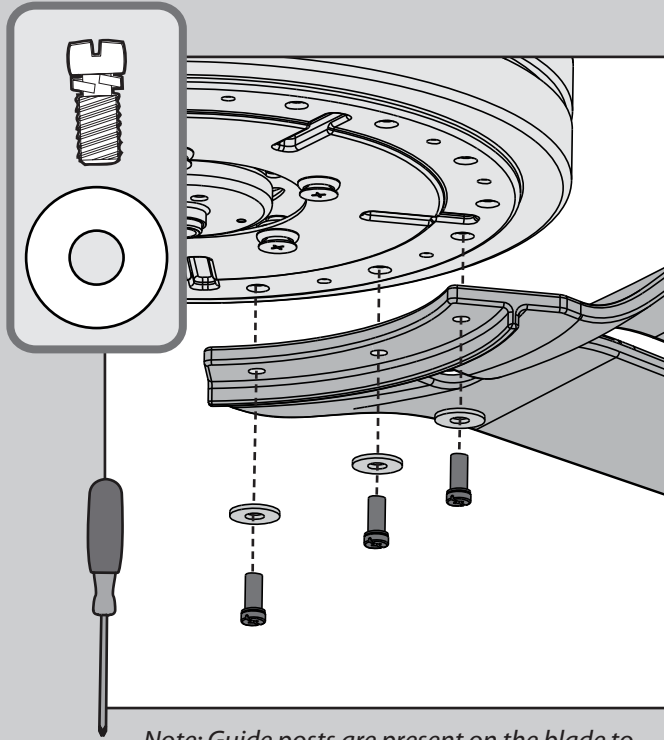


Lift the canopy place so that the screw holes are aligned.



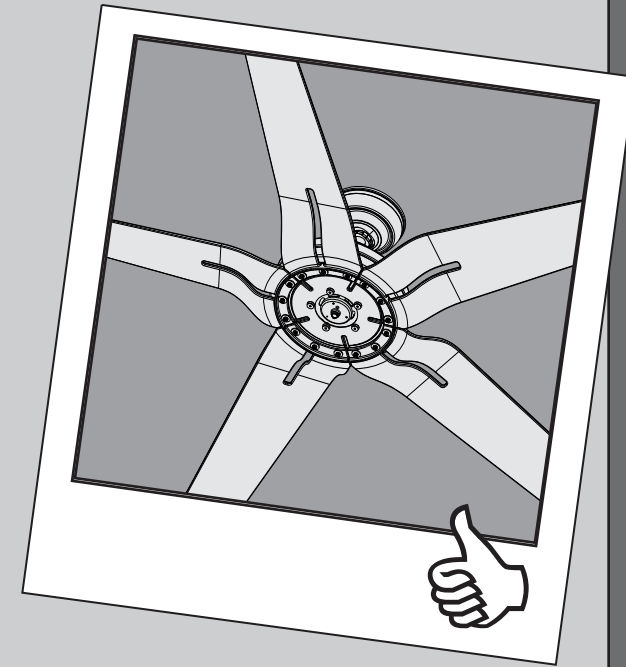
⊗ Insert the two canopy screws found in the ● hardware bag.

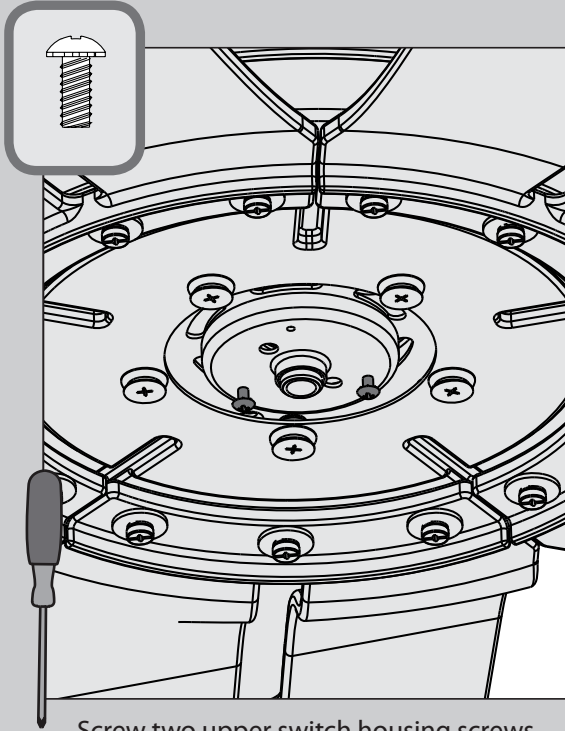




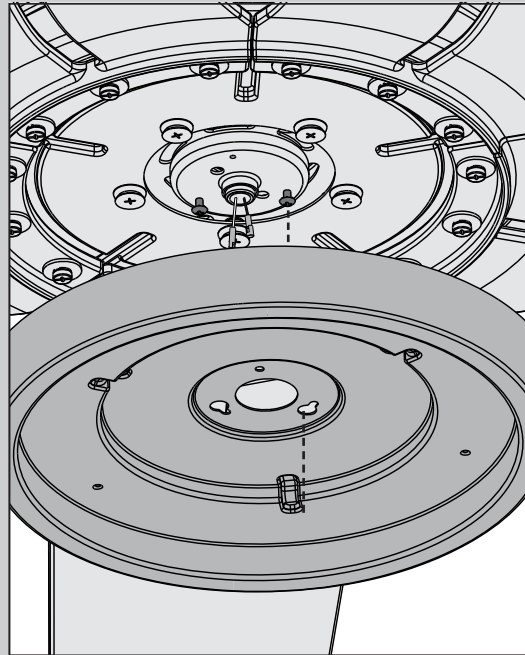
⊗ *Note: Guide posts are present on the blade to help align the blade with the motor.*

Lightly attach the blades to the motor with screws and washers found in the ▲ hardware bag, then securely tighten after all three screws are attached.

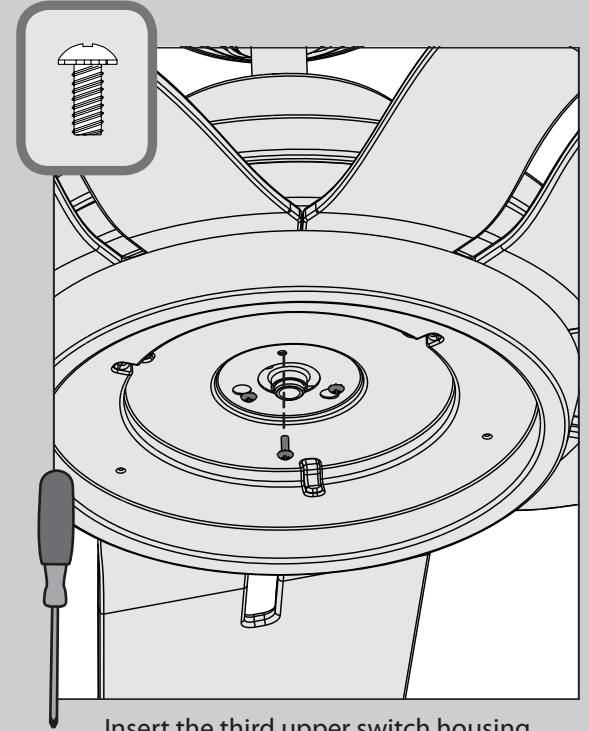




⊗ Screw two upper switch housing screws from the ≡ hardware bag halfway into the mounting plate on the bottom of the motor housing. It does not matter which two screw holes you choose.

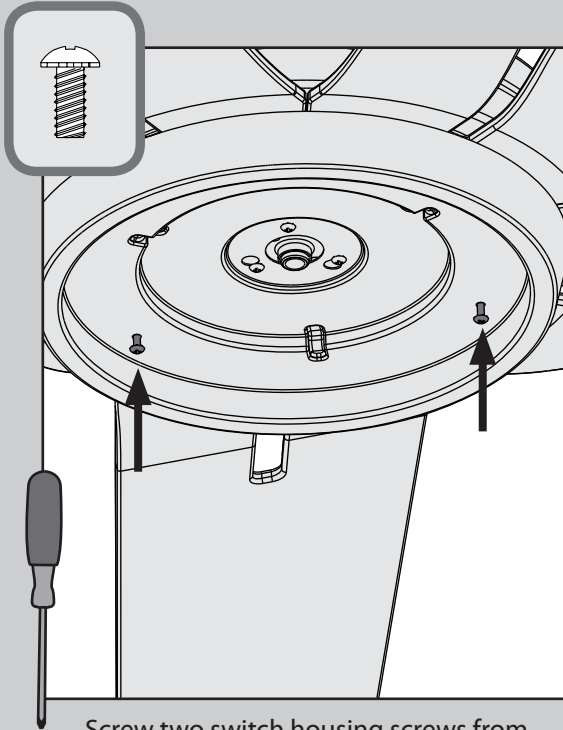


Feed the wire plugs through the center hole of the upper switch housing, then wrap keyhole slots around the screws and twist clockwise.

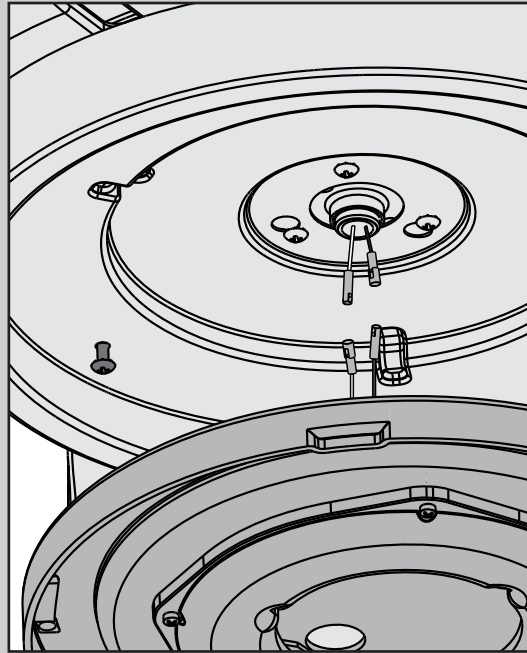


⊗ Insert the third upper switch housing screw, found in the ≡ hardware bag, into place and then tighten all three screws.

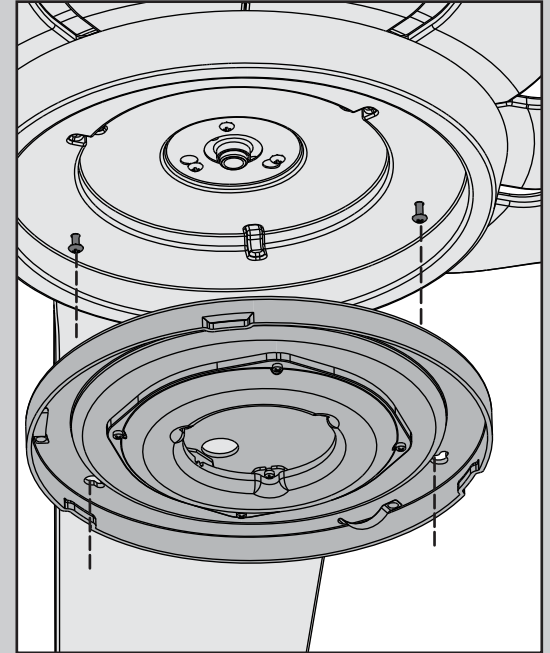
Make sure the upper switch housing is securely attached to the mounting plate. Failure to properly secure all 3 assembly screws could result in the switch housing fixture falling.



⊗ Screw two switch housing screws from the hardware bag halfway into screw holes in the upper switch housing.



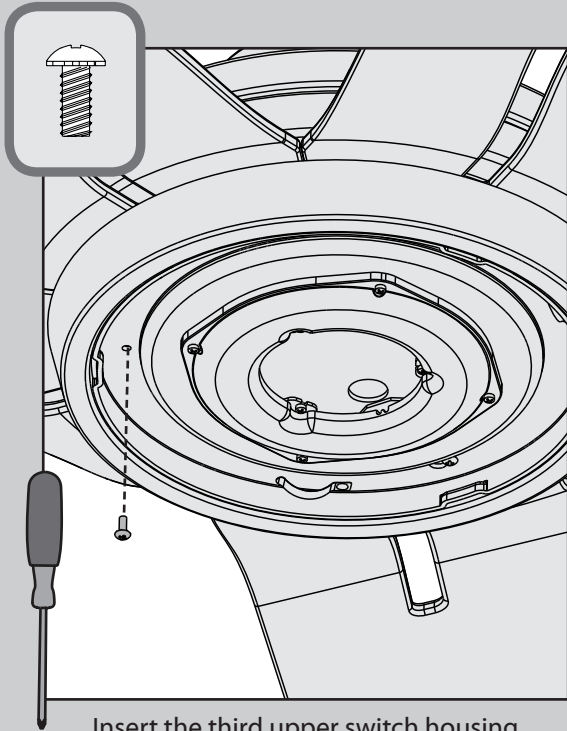
Connect the white wire from the fan to the white wire from the light kit, then connect the black wire from the fan to the black wire from the light kit.



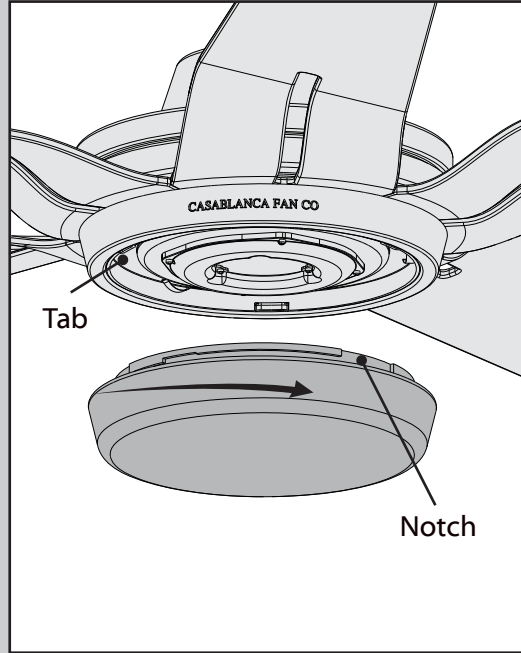
Raise the light kit to the fan. Wrap the keyhole slots around the screws and twist the light kit clockwise.

Make sure the light kit is securely attached to the upper switch housing. Failure to properly secure all 3 assembly screws could result in the light kit falling.

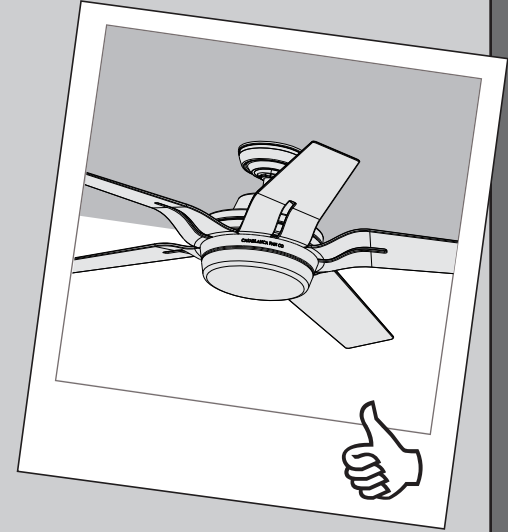




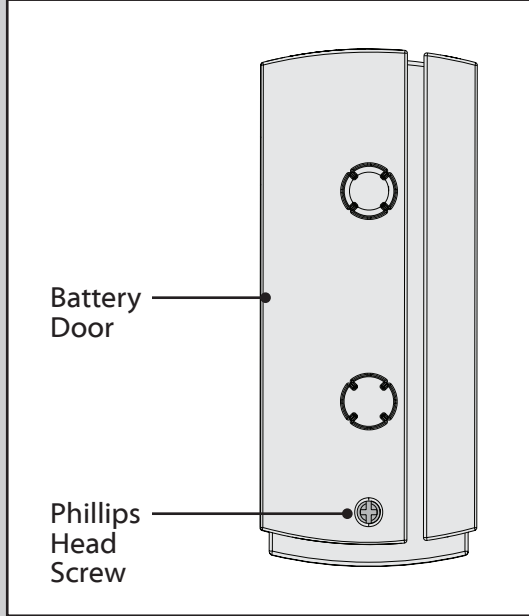
Insert the third upper switch housing screw, found in the ☰ hardware bag, into place and then tighten all three screws.



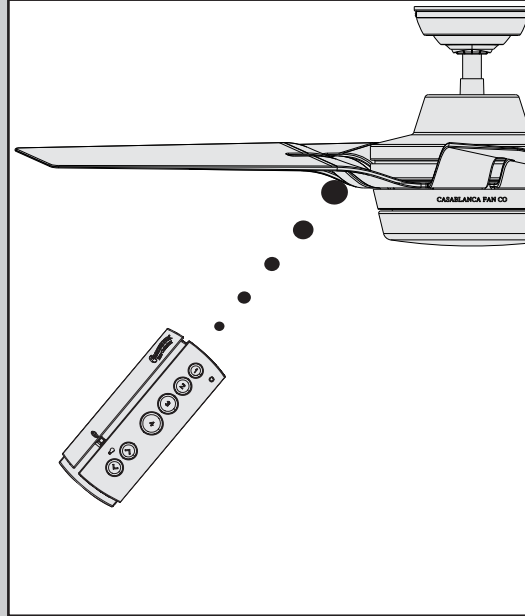
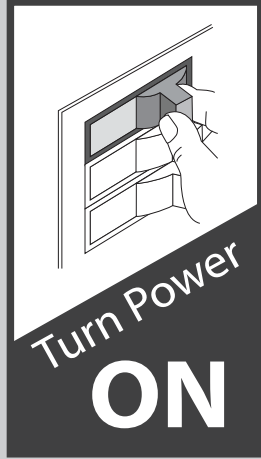
Position the notches in the outer rim of the globe or no-light cap so they line up with the tabs on the inside rim of the upper switch housing. Carefully lift the globe then rotate clockwise until it is held tightly in place by the tabs.





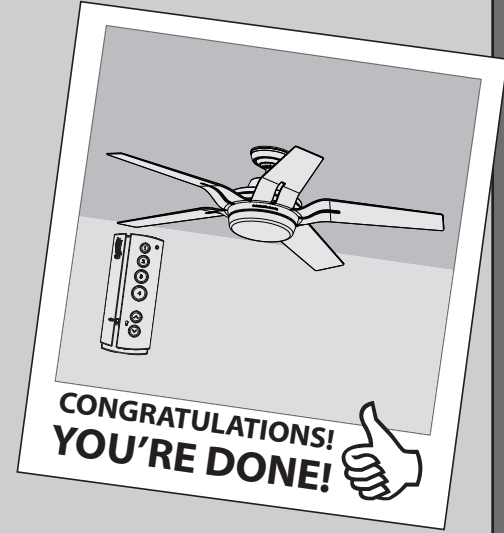


To access the battery compartment, remove the small Phillips head screw that secures the battery door to the transmitter assembly. The battery should be installed with the positive (+) side up. Replace with a CR2032 battery when necessary.

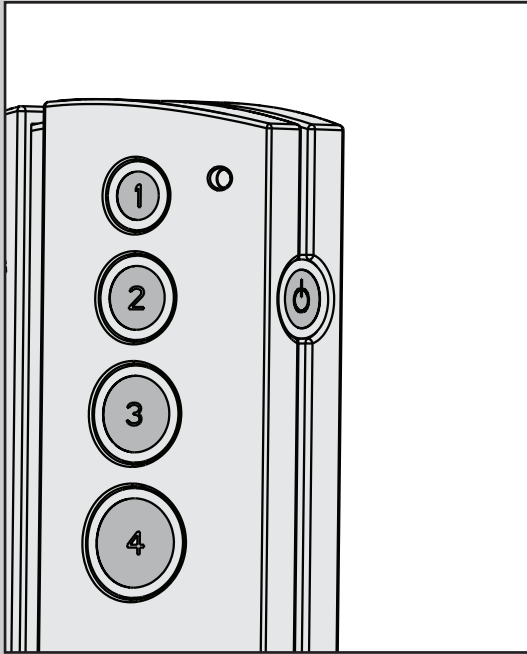


**The remote transmitter is already paired to the receiver and ready to use.**

**Note:** If you would like to operate multiple fans or multiple remotes, or if your remote is not working, please see the Troubleshooting section at the end of this manual.

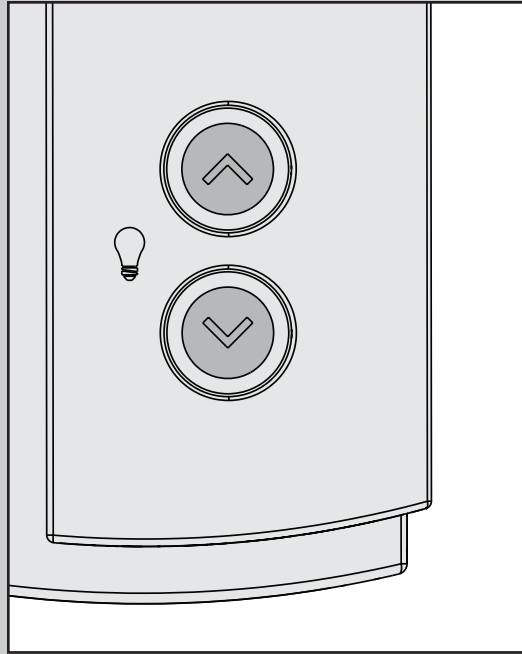


**See next page for fan operation instructions.**



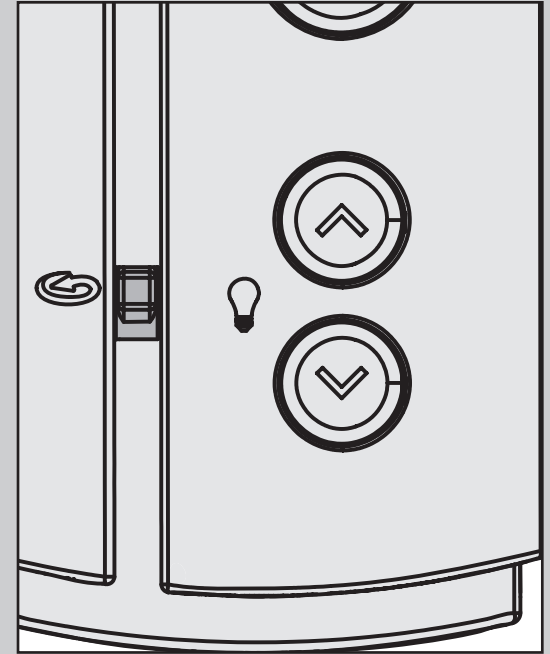
The Fan Off button found on the right side of the transmitter turns the fan off. Buttons 1 through 4 turn on the fan and control the speed.

- (1) Extra Low
- (2) Low
- (3) Medium
- (4) High

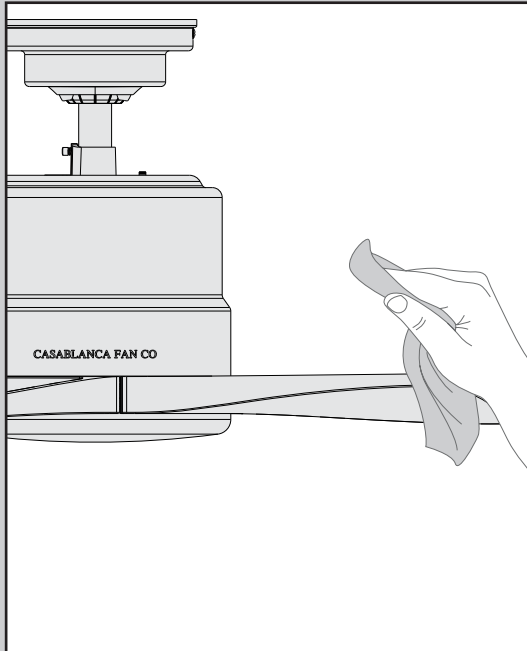


The up arrow and down arrow buttons control the lights on the fan. Quickly press and release the up or down arrow to turn the lights off and on. Hold the up or down arrow to raise or dim the light level.

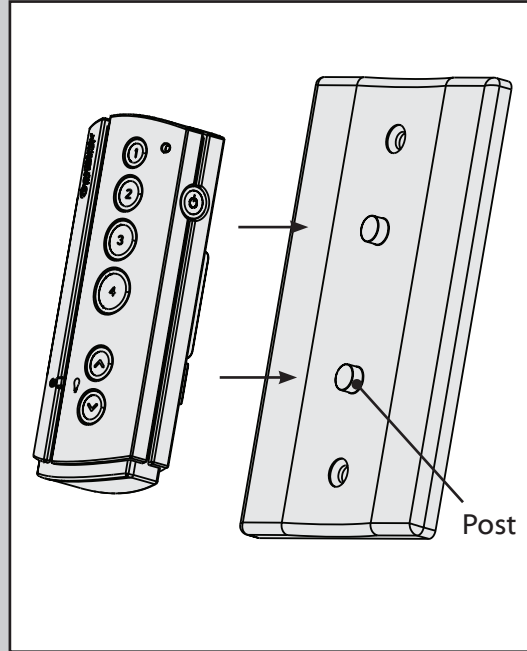
**Dimming Mode:** To enable dimming, you must first set your remote to Dimming Mode. To toggle Dimming Mode on or off, hold down the Fan Off button while pressing the Light Down arrow twice.



Move the reverse switch to opposite position to change the direction of airflow. The fan must be running to use the reversing feature.



For cleaning the fan, use soft brushes or cloths to prevent scratching. Cleaning products may damage the finishes.



Your Universal Remote comes with a wall plate that has two posts on which to mount your transmitter when not in use.

## Safe-Exit

The Safe-Exit Program gives you about thirty seconds of light when you turn the lights off to exit the room before the lights go out. To use Safe-Exit:

- Press the Fan Off button for at least three seconds to initiate the Safe-Exit Mode.
- The lights will flash for visual confirmation.
- The lights will stay on 50% brightness for 15 seconds and then begin to dim. After a total of 30 seconds, the lights will be completely off.

## Fan doesn't work

- Press a fan speed button (1-4).
- Push the motor reversing switch firmly left or right to ensure that it is engaged.
- Check the circuit breaker to ensure the power is turned on.
- Make sure the remote control battery is working.
- Make sure the blades spin freely.
- Turn off power from the circuit breaker, then loosen the canopy and check all the connections according to the wiring diagram on pages 10-11.
- Check the plug connections in the switch housing.

## Excessive wobbling

- Tighten all of the blade and blade iron screws until they are snug.
- Turn the power off, support the fan carefully, and check that the hanger ball is properly seated.
- Use the provided balancing kit and instructions to balance the fan.

## Noisy Operation

- Tighten the blade and blade iron screws until they are snug.
- Check to see if any of the blades are cracked. If so, replace all of the blades.

## Remote does not work

- Make sure the battery is installed correctly.
- Install a new battery.
- If the remote still does not work, you may need to pair your remote. **To prevent faulty operation, please disconnect power (at the wall switch, breaker, or fan) from all other ceiling fans within range while pairing.** To pair: cycle power to the fan by turning power off and back on at the wall switch (or circuit breaker if necessary). Within three minutes, press and hold both the Fan Off button and the 4 button for four seconds to pair the remote. If applicable, the fan will turn on and the lights will flash and stay on to indicate successful pairing.

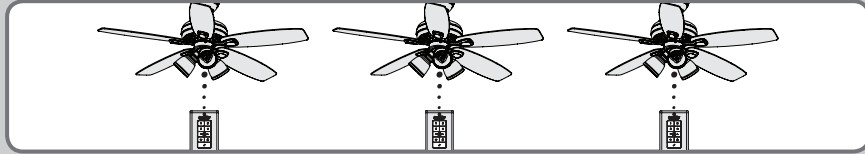
## AUTHORIZED SERVICE CENTERS

For the most updated list of Casablanca Authorized Service Centers, visit [www.CasablancaFanCo.com](http://www.CasablancaFanCo.com) or call toll free 1-888-227-2178.

## LED lights will not dim

- To enable dimming, you must first set your remote to Dimming Mode. To toggle Dimming Mode on or off, hold down the Fan Off button while pressing the Light Down arrow twice.

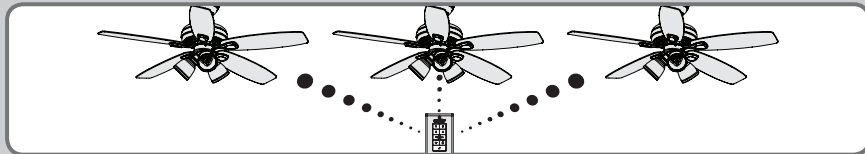
## Installing Multiple Fans with Independently Operating Remote Controls



To install multiple fans with independently operating remote controls, **there is no need to perform any pairing procedures.** Each set of receiver/transmitter is already paired. Simply install each receiver into a fan and use the appropriate transmitter to operate each fan.

If your remote is not working, see the “Remote does not work” section on the previous page.

## Installing Multiple Fans Operating on a Single Remote Control

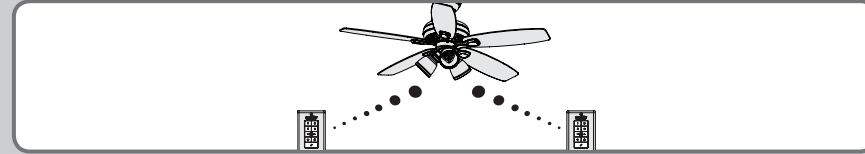


To have multiple fans operated by a single remote control, you must pair the transmitter to each additional receiver. The receiver that shipped with your fan is already paired to the transmitter.

**Note: To prevent faulty operation, you MUST disconnect power (at the wall switch, breaker, or fan) from all other ceiling fans within range while pairing each fan.**

For each additional fan, ensure that a compatible receiver is installed. Disconnect power from all other fans while pairing. To pair: cycle power to the fan by turning power off and back on at the wall switch (or circuit breaker if necessary). Within three minutes, press and hold both the Fan Off button and the 4 button for four seconds to pair the remote. If applicable, the fan will turn on and the lights will flash and stay on to indicate successful pairing.

## Installing One Fan Operating on Multiple Remote Controls

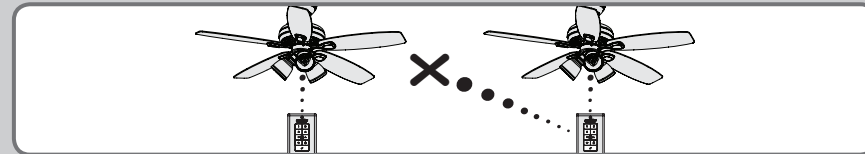


To have multiple remote controls operate one fan, you must pair each additional transmitter to the receiver in the fan. The transmitter that shipped with your fan is already paired.

**Note: To prevent faulty operation, please disconnect power (at the wall switch, breaker, or fan) from all other ceiling fans within range while pairing.**

For each additional transmitter, cycle power to the fan by turning power off and back on at the wall switch (or circuit breaker if necessary). Within three minutes, press and hold both the Fan Off button and the 4 button for four seconds to pair the remote. If applicable, the fan will turn on and the lights will flash and stay on to indicate successful pairing.

## “Unpairing” Procedure for Faulty Operation of Remote Controls



If a transmitter is mistakenly operating a fan, you need to “unpair” the transmitter from that fan’s receiver. The “unpairing” procedure is the same as the pairing procedure.

**Note: To prevent faulty operation, you MUST disconnect power (at the wall switch, breaker, or fan) from all other ceiling fans within range while “unpairing” a fan.**

Disconnect power from all other fans while “unpairing.” Then, cycle power to the fan you wish to “unpair” by turning power off and back on at the wall switch (or circuit breaker if necessary). Within three minutes, press and hold both the Fan Off button and the 4 button for four seconds to “unpair” the remote. If applicable, the fan will turn off and the lights will flash and turn off to indicate successful “unpairing.”