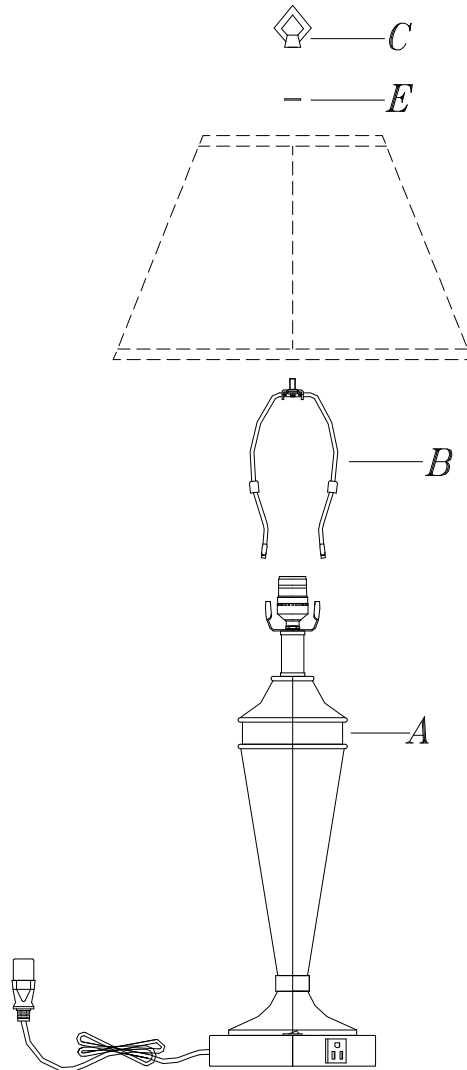


# ASSEMBLY INSTRUCTIONS

ITEM NO: LA-694TB-1R

1. Carefully unpack and lay out the parts as shown in illustration.
2. Insert harp (B) to saddle of lamp body (A) .
3. Put shade and washer (E) on harp (B), tighten it with finial (C).adjust shade to suitable position.



**WATTAGE:** 100W TYPE A (EX BULB)

**SAVE THESE INSTRUCTIONS FOR FUTURE REFERENCE.**

**325402B-1**