

Model No :: **20011LEDDMGLP-SAT/RFR**  
 Name :: **Nevis**



Project Name :: \_\_\_\_\_  
 Location :: \_\_\_\_\_  
 Type :: \_\_\_\_\_  
 Quantity :: \_\_\_\_\_  
 Notes :: \_\_\_\_\_

**Product Information**

Product ID :: 20011  
 UPC Code :: 641594206678  
 Mounting Type :: Wall  
 Finish :: Satin (SAT)  
 Diffuser :: Ribbed Frosted (RFR)  
 Alt. Finishes :: Bronze (BRZ)  
 Alt. Diffusers :: N/A

**Product Dimensions**

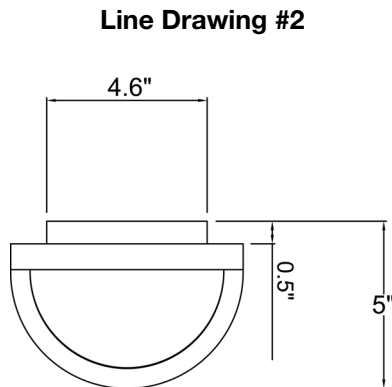
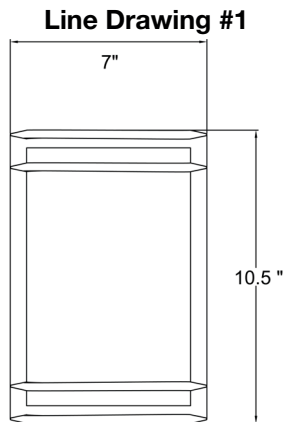
Fixture	Canopy
Length :: N/A	Length :: 4.6"
Width :: 7"	Width :: 4.6"
Diameter :: N/A	Diameter :: N/A
Extension :: 5"	Height :: 0.5"
Height :: 10.5"	
Overall Height :: N/A Max.	



**Technical Specifications**

Qualifications	Specifications	Photometrics	Recommended Dimmers
Location Rating :: Wet	Frame Material :: Aluminum	CCT :: 3000	(ELV) LUTRON Skylark SELV-300P; (MLV) COOPER Aspire 9530SW; (TRIAC) LEGRAND Titan CD703-PW
Certification :: cULus	Diffuser Material :: Glass	CRI :: 80	
IES File :: No	Voltage :: 120v	Wattage :: 9.5 W	
JA8 Compliant :: No	Lamping Type :: Replacable LED	Nominal Lumens :: 800	
Title 20 Compliant :: Yes	Lamping Base :: E-26	Delivered Lumens :: N/A	
Energy Star :: No	Lamp Quantity :: 1		
ADA Compliant :: No	Lamp Wattage :: 9.5 W		
Marine Grade :: Yes	Total Wattage :: 9.5 W		
Emergency Lighting :: No	Lamps Included :: Yes		
Warranty :: 1 Year Limited	J-Box Type :: Standard		

**Custom Options :: N/A; Additional Items :: N/A**



**IES File**

Image Not Available

Toll Free 800-828-5483 or [www.AccessLighting.com](http://www.AccessLighting.com)

14410 Myford Road, Irvine, CA 92606

The information provided is subject to change without notice. ©2018 Access Lighting Corporation. All Rights Reserved  
 Rev. 201902 Filename:: 20011LEDDMGLP-SAT\_RFR.pdf

