

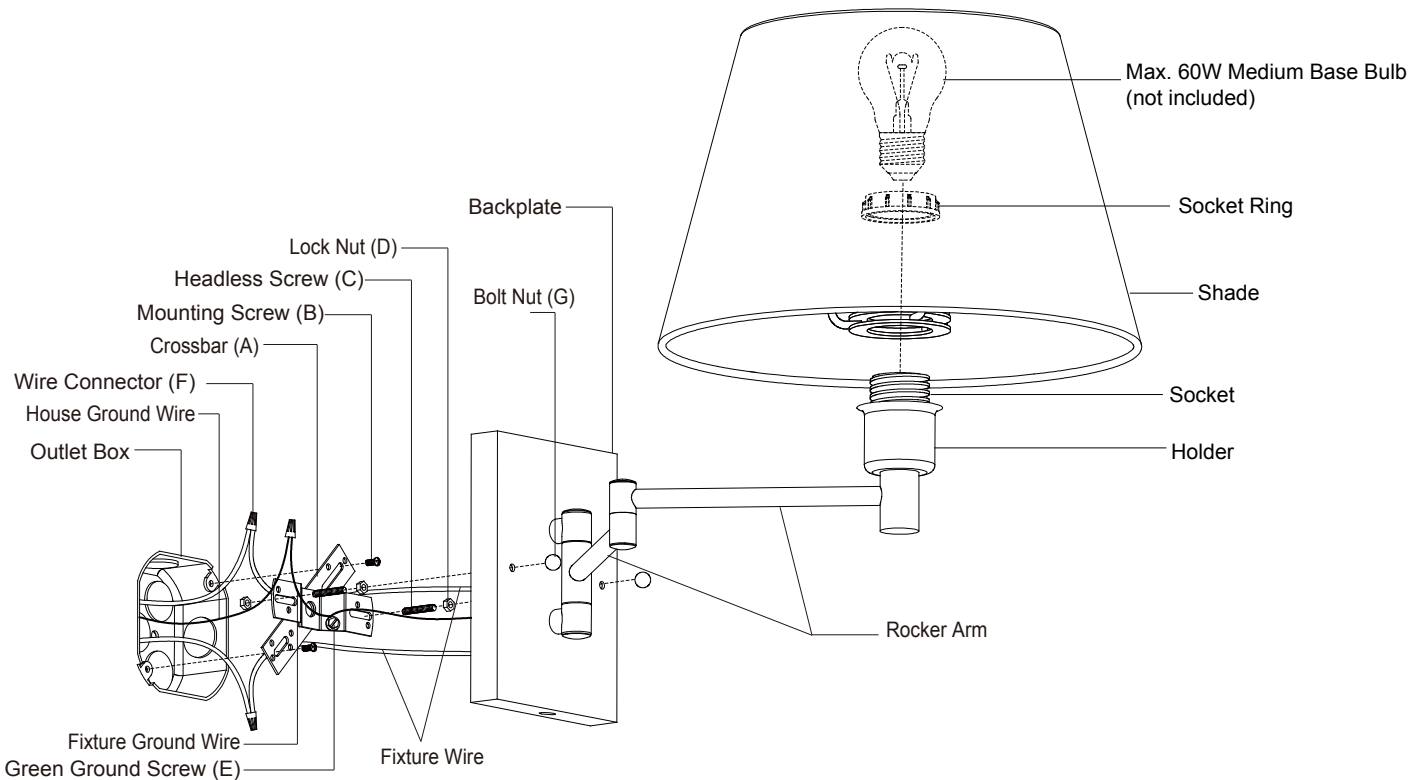
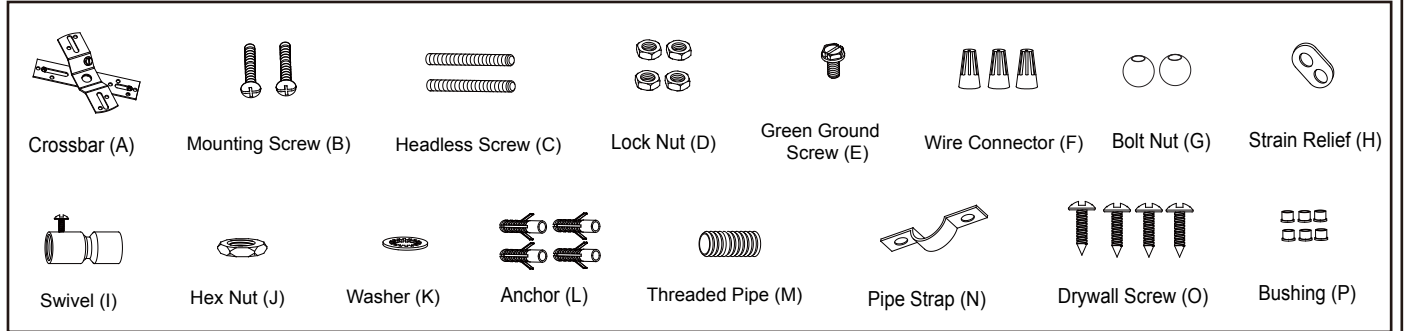
# ASSEMBLY AND INSTALLATION INSTRUCTIONS

W0201 / W0261

**WARNING:** TO AVOID RISK OF ELECTRICAL SHOCK, BE SURE TO SHUT OFF POWER BEFORE INSTALLING OR SERVICING THIS FIXTURE.

**NOTES:** 1. Before installing, consult local electrical codes for wiring and grounding requirements.  
2. Read and save these instructions.

## Hardware Package (included):



**This FIXTURE can be mounted in two ways.**

**Option 1: (Hard Wire Installation)  
Assembly Instructions:**

**Turn off the power at fuse or circuit box.**

1. Thread two headless screws (C) through the crossbar (A), then secure them with four lock nuts (D) (two on each side of the crossbar). Adjust the length of the headless screws (C) if necessary.

**Note: Make sure that the headless screws are lined up horizontally to make the fixture level.**

2. Attach the crossbar (A) to the outlet box by using two mounting screws (B).

- Pull out the source wires from the outlet box. Make wire connections using wire connectors (F) as follows:
  - Connect the hot wire (black insulation) from the fixture to the black wire from the power source.
  - Connect the neutral wire (white insulation) from the fixture to the white wire from the power source.
  - Attach the fixture ground wire (bare wire) to the crossbar (A) with the green ground screw (E), then connect it to the house ground wire with a wire connector (F). If your outlet box does not have a house ground wire, then wrap the fixture ground wire around the green ground screw (E).
 Carefully put the wires back into the outlet box.
- Attach the backplate to the crossbar (A) by inserting the headless screws (C), then secure it with the bolt nuts (G).
- Attach the shade onto the holder and secure it with the socket ring.
- Install 1 x 60W max. medium base bulb (not included). See relamping label at socket area or packaging for maximum wattage allowed.

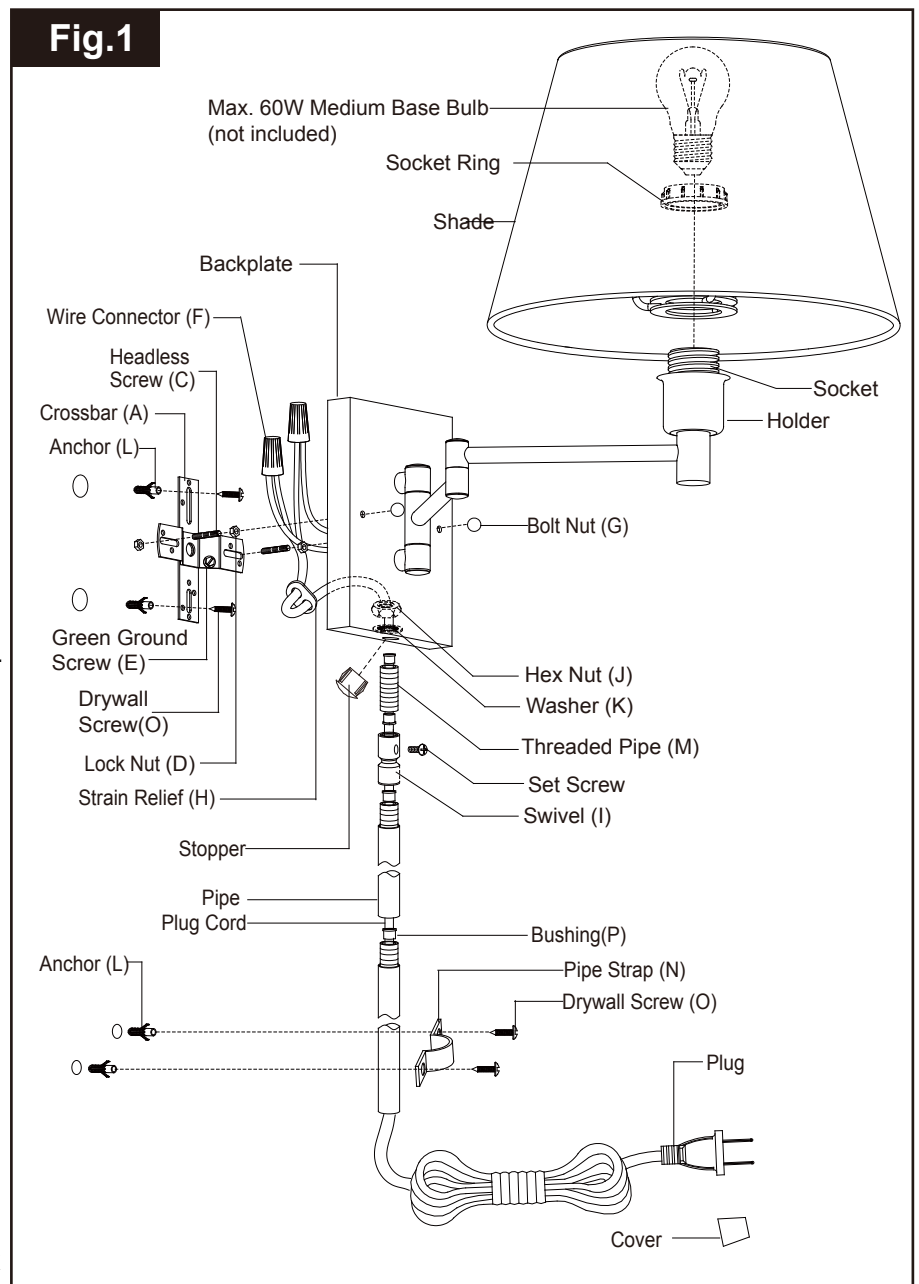
Turn on the power at fuse or circuit box

## Option 2: (Plug-in Installation) Assembly Instructions:

Turn off the power at fuse or circuit box

- Remove and discard the stopper from the backplate.
- Thread headless screws (C) through the crossbar (A), then secure them with four lock nuts (D) (two on each side of the crossbar). Adjust the length of the headless screws (C) if necessary.
 

**Note: Make sure that the headless screws are lined up horizontally to make the fixture level.**
- Unscrew and discard the green ground screw (E) from the crossbar (A).
- Place the crossbar (A) to a proper position.
  - If the wall material is wood: Attach the crossbar (A) to the wall, then secure it with the drywall screws (O).
  - If the wall material is cement: Mark the holes where you want to place the crossbar (A) on the wall. Drill the holes and insert the anchors (L) into the holes, then attach the crossbar (A) to the wall, secure the drywall screws (O) into the anchors (L).
- Thread plug cord through the pipes, swivel (I), threaded pipe (M), the bottom hole of the backplate, washer (K), and hex nut (J) in turn as shown in Fig.1, then connect the pipes.
- Secure the assemble pipes to the backplate by using the washer (K) and hex nut (J).

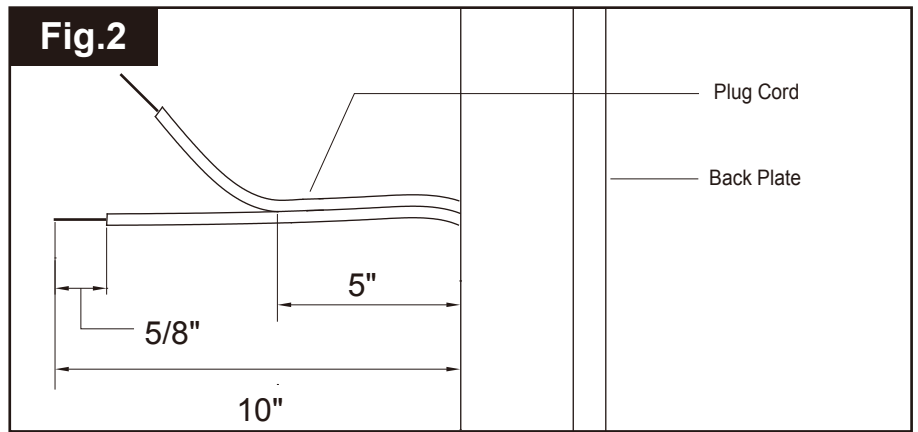


- Thread the plug cord through two holes of the strain relief. Pull the plug cord down until the strain relief touches the backplate.

**Note: Adjust the strain relief can decrease or increase the length of the exposed plug cord.**

8. Cut any excess plug cord leaving 10 inches from the back plate. Slit the plug cord apart in 5 inches. Peel off insulation of the two wires in 5/8 inch. (See Fig.2)

9. Pull out the source wires from the back plate. Make wire connections using wire connectors (F) as follows:  
 ---The black wire from the back plate to the smooth wire (marked) from the plug cord.  
 ---The white wire from the back plate to the ridged wire (unmarked) from the plug cord.  
 Carefully put the wires back into the backplate.



10. Attach the backplate to the crossbar (A) by inserting the headless screws (C), then secure it with the bolt nuts (G).

11. Attach the pipe strap (N) to the connected pipe at the bottom, then secure it to the wall by using drywall screws (O).

a) If the wall material is wood:

Attach the pipe strap (N) to the wall, thread the drywall screws (O) through the holes on pipe strap (N), then secure them to the wall.

b) If the wall material is cement:

Mark the holes where you want to place the pipe strap (N) on the wall. Drill the holes and insert the anchors (L) into the holes, then attach the pipe strap (N) to the wall, thread the drywall screws (O) through holes on pipe strap (N), and then secure them into the anchors (L).

12. Attach the shade onto the holder and secure it with the socket ring.

13. Install 1 x 60W max. medium base bulb (not included). See relamping label at socket area or packaging for maximum wattage allowed.

14. Insert the plug into the wall receptacle.

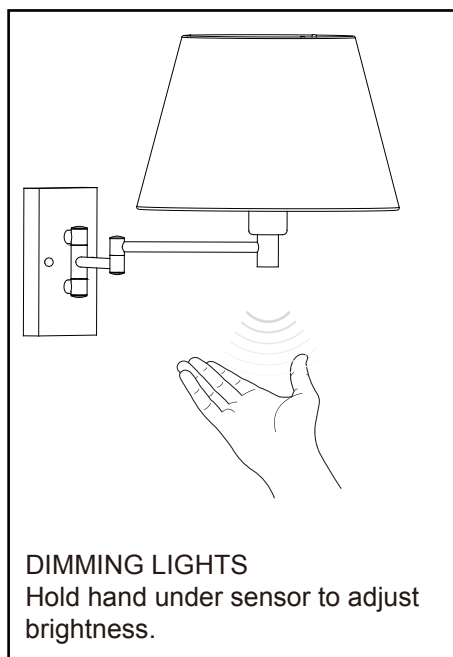
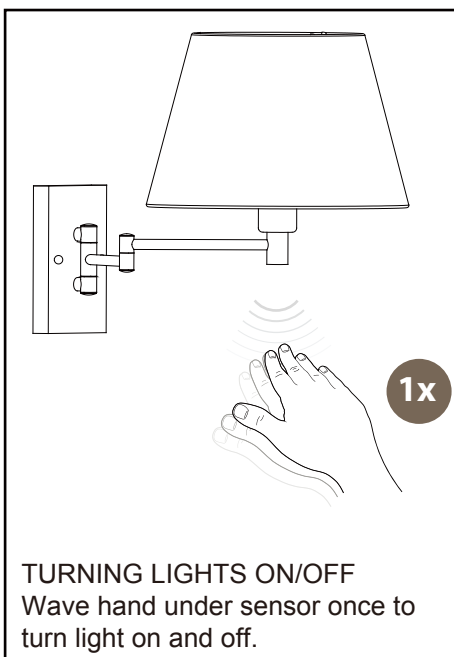
**Note: Remove the cover from the plug when the plug is used for the first time.**

Turn on the power at fuse or circuit box.

### Function and Operation

When power is first applied, the light will turn to high level brightness.

**Note: Detection zone is within 4.5 inch distance from the sensor.**

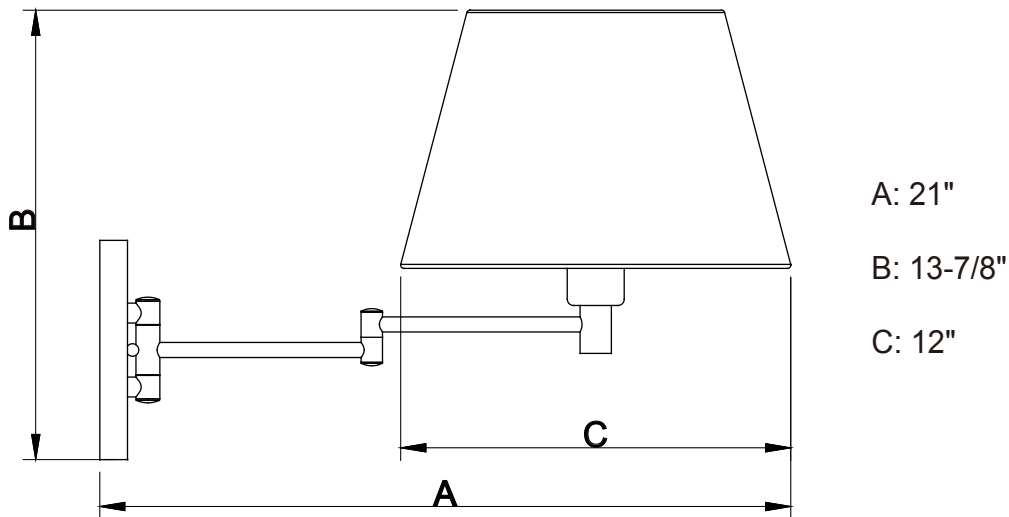


The following parts are available for re-order if damaged or missing.

**Spare Parts List:**

Crossbar (A)	Mounting Screw (B)	Headless Screw (C)	Lock Nut (D)	Green Ground Screw (E)	Wire Connector (F)
Bolt Nut (G)	Strain Relief (H)	Swivel (I)	Hex Nut (J)	Washer (K)	Anchor (L)
Threaded Pipe (M)	Pipe Strap (N)	Drywall Screw (O)	Bushing (P)		

Assembly Kit  
 5367MM (1 SET) FOR W0201  
 5750MM (1 SET) FOR W0261



**5 Year Limited Warranty**

Vaxcel warrants all of our products against defects in workmanship and finishes for one year following the date of shipment.

In addition:

- Any product with an integrated motion sensor or dusk-to-dawn photocell is supported by a 5-year warranty for the functionality of the product.
- Any product with integrated LED modules is covered by a 5-year warranty on the LED functionality.

*Exclusions: This warranty does not include the failure of products from extreme acts of nature; environmental conditions not suited for the products intended use; operation in temperatures outside of the range specified in the instruction manual; usage with improper power supply, power surges or dips. For coastal locations, some corrosion is considered normal for the environment.*

*Vaxcel reserves the right to repair, replace or issue a credit for any properly installed product, provided it is returned per RMA instruction. This warranty is limited to the cost of the product only and does not extend to transportation, installation or replacement costs.*

How can warranty service be obtained?

info@vaxcel.com  
1-800-482-9235