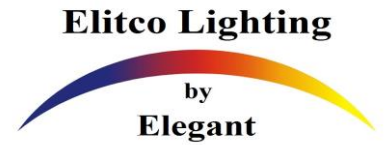


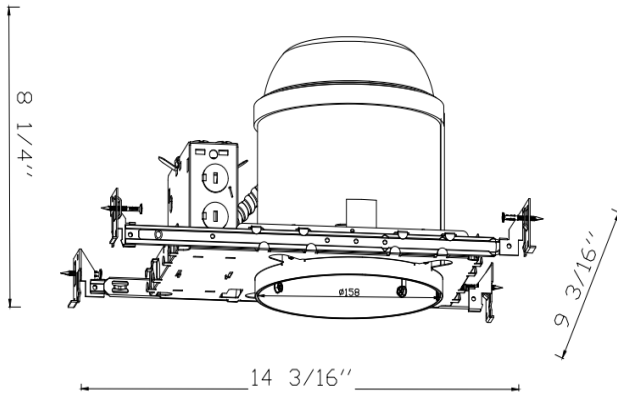
ICAT6N-E26-6PK

6" LINE VOLTAGE NEW CONSTRUCTION IC
AIRTIGHT HOUSING 120V-IC Air Tight PAR30 BR30 Housing



PRODUCT DESCRIPTION

ICAT6N-E26 housing is designed for IC rated airtight ceiling. Accommodates up to 75W PAR30, BR30 ;18W PAR30&PAR38 LED LAMP and A19 lamps.



SPECIFICATIONS:

HOUSING: Pre-wired.042" aluminum housing adjusts up to 1 3/4" ceiling thickness. Trim is secured with torsion wing springs/standard coil springs. IC rated housing may have direct contact with insulation.

AIR FLOW RESTRICTION: Airtight models are designed to restrict air flow from room into plenums in compliance to the WSEC- Washington State Energy Code (less than 2.0 CFM-Cubic Feet per Minutes)

MOUNTING FRAME: Supplied with (2) 24" adjustable bar hangers with 900 repositioning ability. Bar hangers equipped with (nail-less installation) 3/4" serrated barbed studs for secure mounting in wood joists. Brackets maybe flattened out to accommodate 27" flat bar hangers. Earthquake structural cable compatible for drop panel ceilings or any other mounting that requires direct support from structural ceilings.

JUNCTION BOX: Pre-wired, galvanized steel J-box (25 cubic-inch) with (4) 1/2", (3) 3/4", and (4) Romex knock-outs. Comes with WAGO connectors. Strain clamps and ground wire. Die-cast aluminum fitting. Equipped with safety standard thermal protector rated for 90°C .

LABELS: UL/CUL listed (CUL listed number: E356594), ETL/Cetl listed (3194213)