

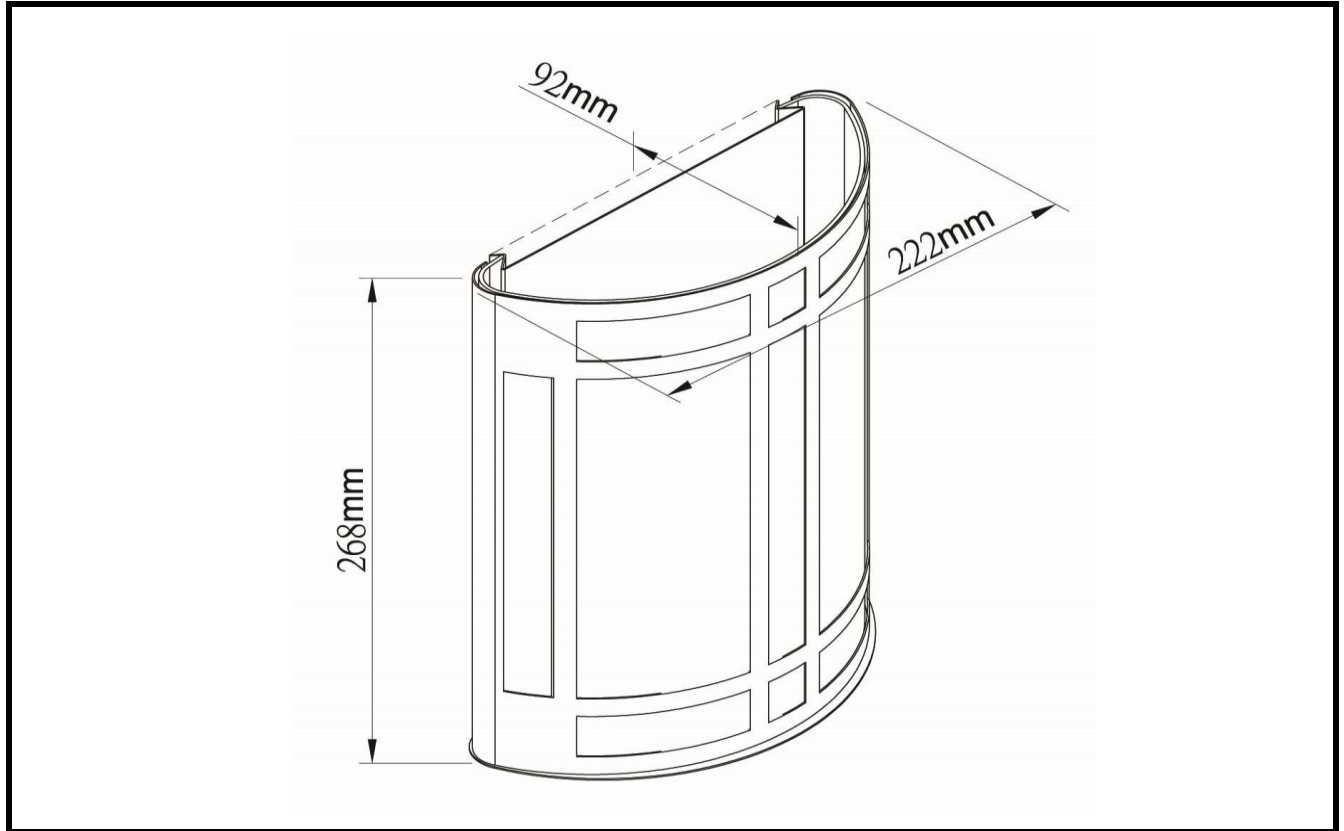


CAL LIGHTING

3625 E. Philadelphia St. Ontario CA. 91761 • Tel: 909.947.5200 • Fax:
909.947.5673 • www.calighting.com • service@calighting.com •
Specifications subject to change without notice

Type: _____
Project: _____
Catalog No.: _____
Lamp/Wattage: _____

Drawing:



Model No: LA-162-BS
Description: WLL FIXTURE
Material: Acrylic+IRON
Finish : Brushed Nickel
Height: 92mm
Base Width: 222mm
Wattage : PLC18W*1
Socket : G24q-2
Shade size: 220*92*268mm
Certificate : ETL



CAL LIGHTING

3625 E. Philadelphia St. Ontario CA. 91761 • Tel: 909.947.5200 • Fax:
909.947.5673 • www.calighting.com • service@calighting.com •
Specifications subject to change without notice

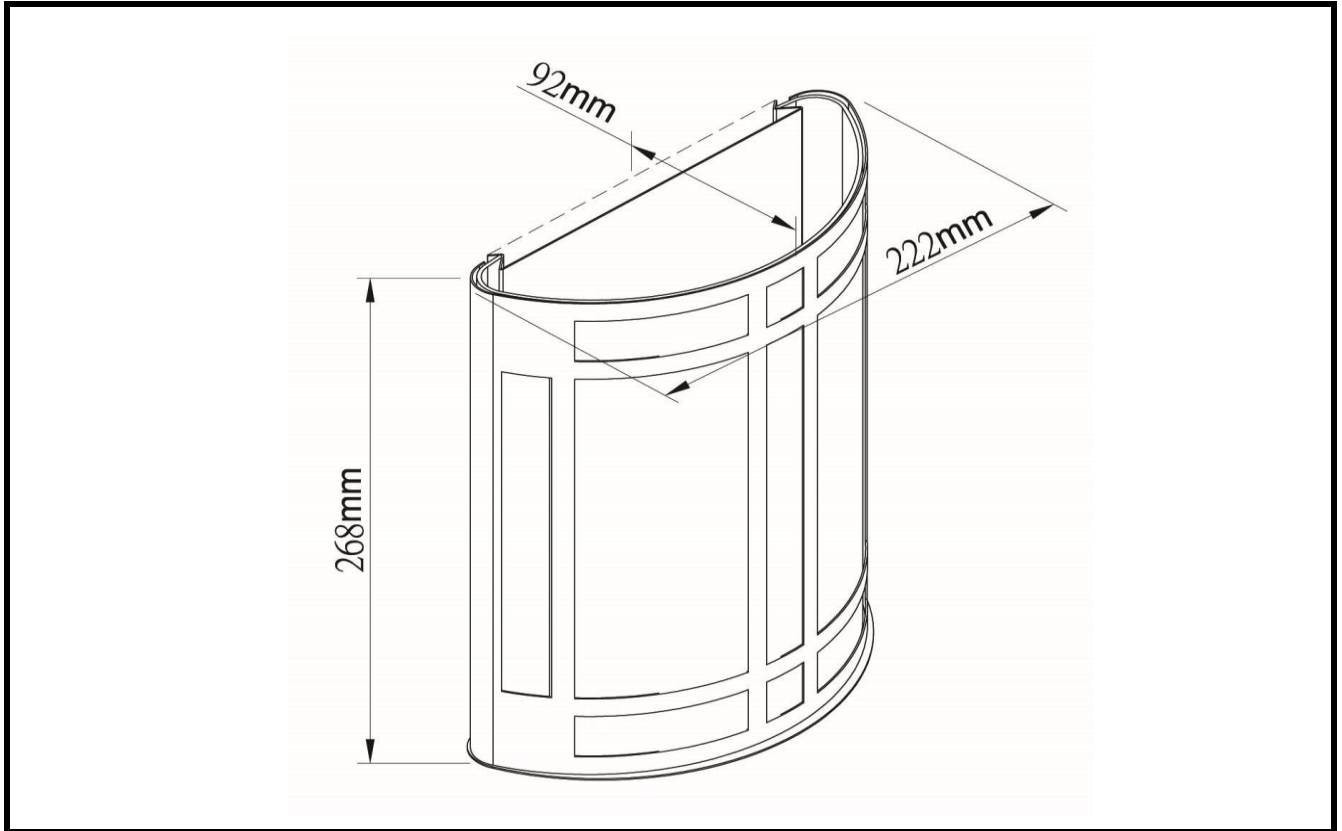
Type: _____

Project: _____

Catalog No.: _____

Lamp/Wattage: _____

Drawing:



Model No: LA-162-BS
Description: 18W PLC Acrylic Wall Lamp
Material: Acrylic+IRON
Finish : Brushed Nickel
Height: 10 1/2"
Width: 9"
Depth: 3 1/2"
Wattage : PLC26W*1
Socket : G24q-3
Shade size: 10 1/2"x9"x 3 1/2"
Certificate : ETL