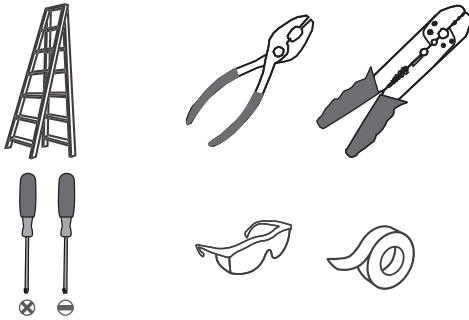
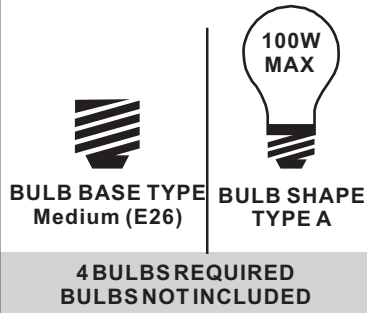


Tools Required



Light Source



**Fixture Height Adjustable
14.75" to 50.5"**

Warnings and Cautions

Turn off the electricity at the circuit breaker before installation. Consult a licensed electrician if in doubt about installation.

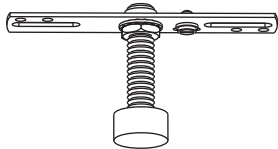
Turn off power to the fixture and allow the bulbs to cool before replacing.

Package Contents

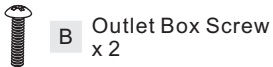
Preparation: Identify and inspect all parts before beginning the installation.

Missing or damaged parts? Contact your original place of purchase.

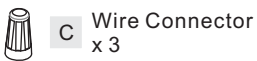
PARTS BAG



A Crossbar Assembly x 1



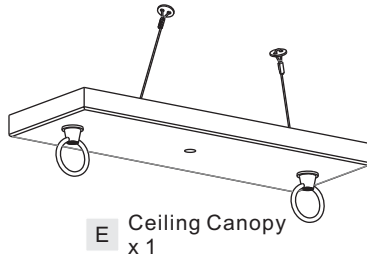
B Outlet Box Screw x 2



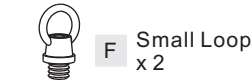
C Wire Connector x 3



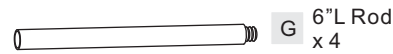
D Quick Link x 2



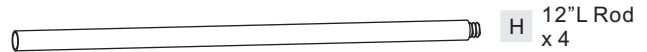
E Ceiling Canopy x 1



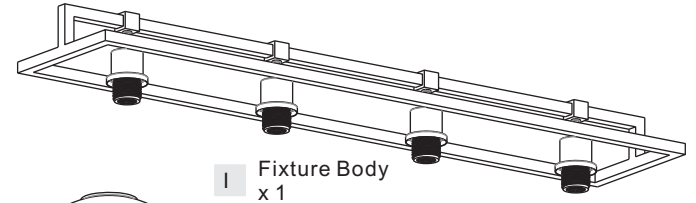
F Small Loop x 2



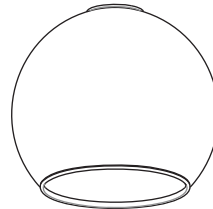
G 6" L Rod x 4



H 12" L Rod x 4



I Fixture Body x 1



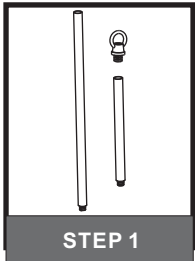
J Shade x 4



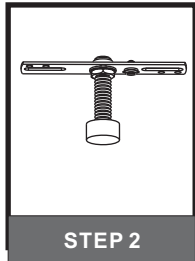
K Socket Collar x 4

Table of Contents

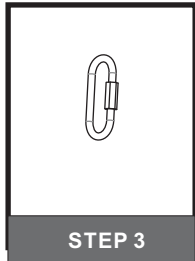
Rods & Small Loop



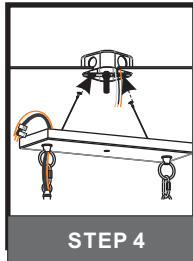
Crossbar Assembly



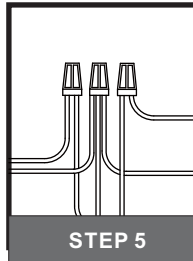
Quick Link



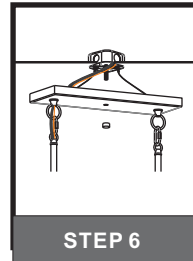
Lanyard



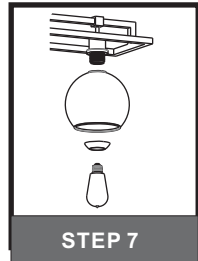
Wiring



Ceiling Canopy



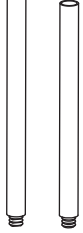
Shade & Bulb



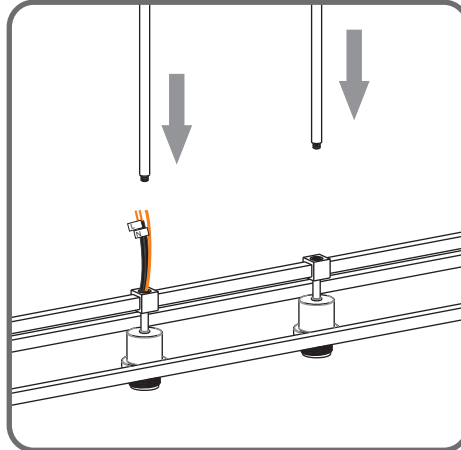
STEP 1

Optional Rods

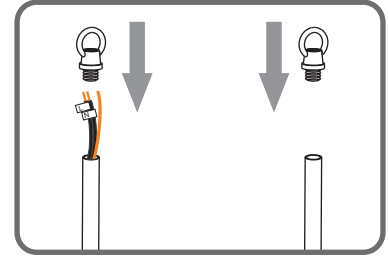
8' ceiling:
(2) 6"L + (2) 12"L rods
9' ceiling:
(2) 6"L + (4) 12"L rods
10' ceiling:
(4) 6"L + (4) 12"L rods



1



2

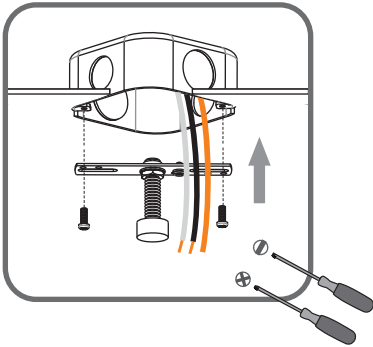


STEP 2

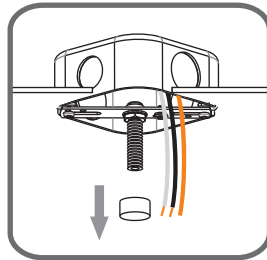
1

Step 1

Install crossbar assembly



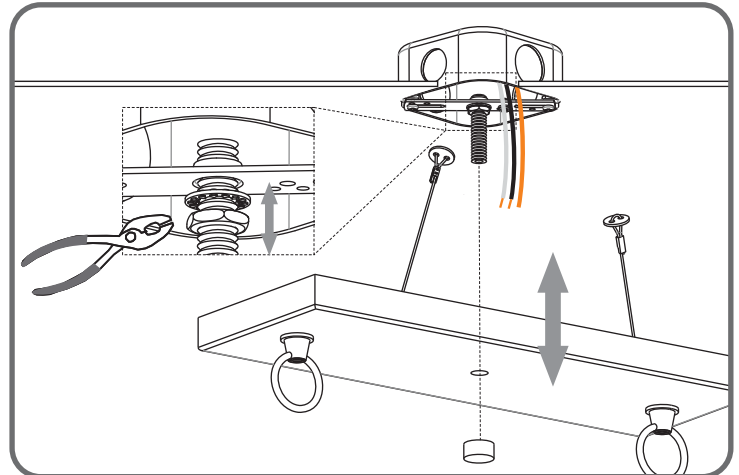
2



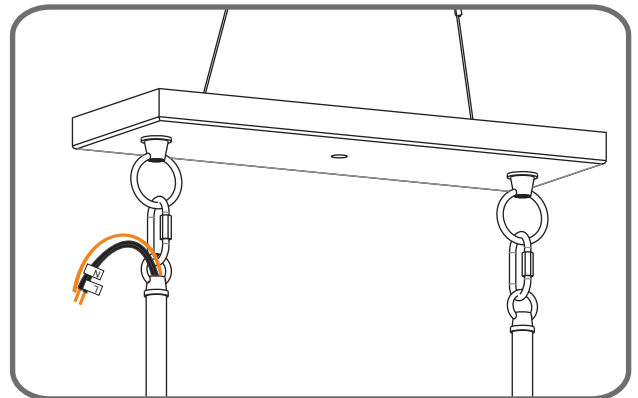
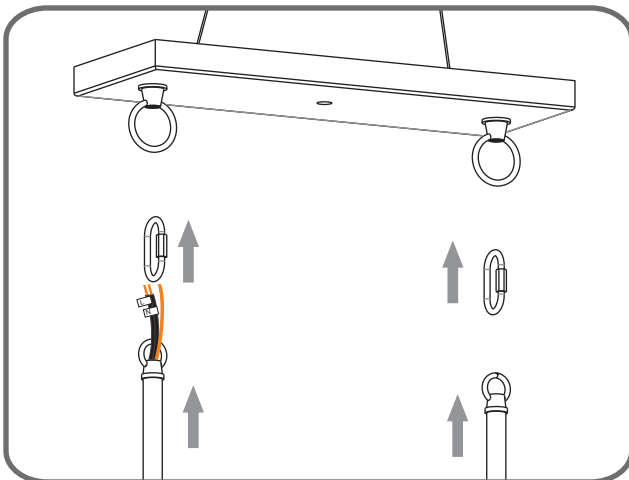
3

Step 2 - 3

Test fitting ceiling canopy to nipple



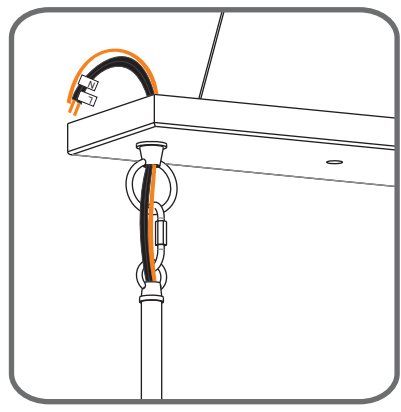
STEP 3



STEP 4

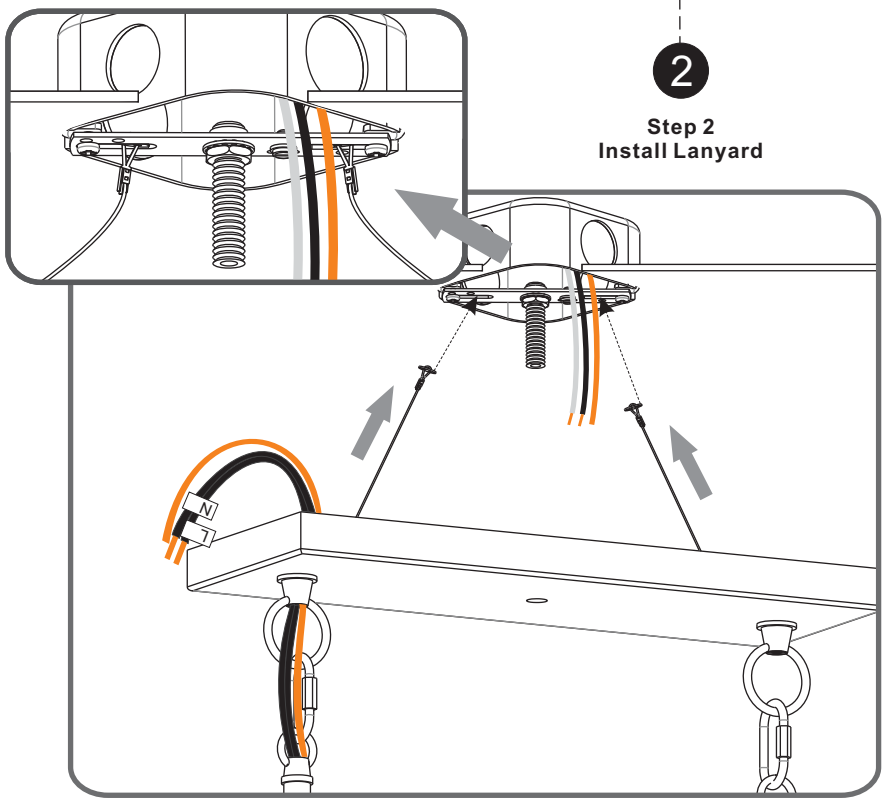
1

Step 1
Feed the fixture wires
through the ceiling canopy

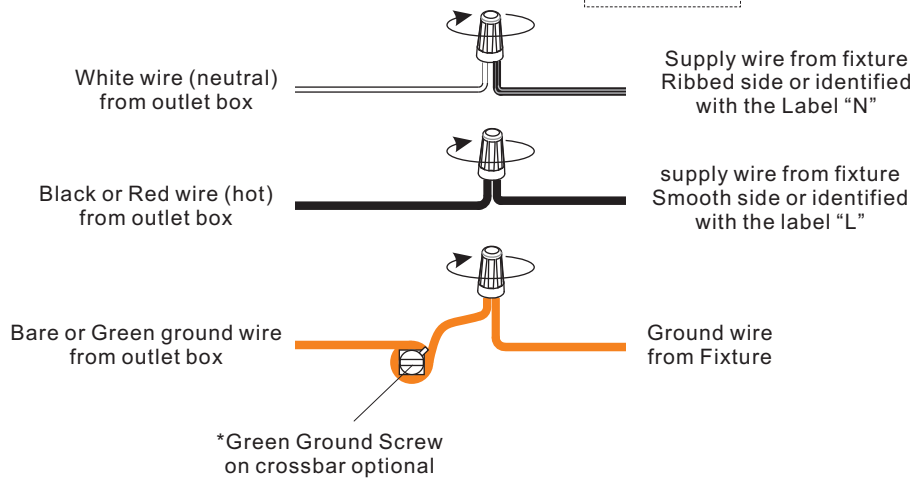
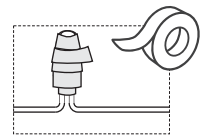


2

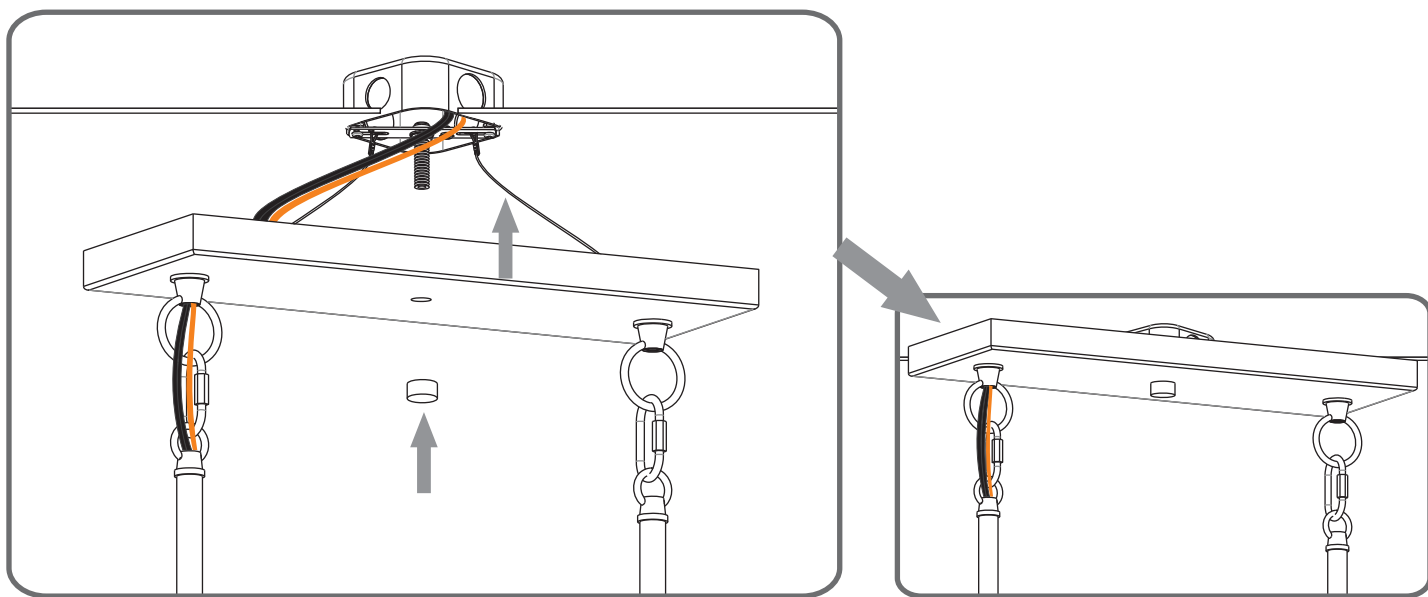
Step 2
Install Lanyard



STEP 5



STEP 6



STEP 7

