

# INSTALLATION INSTRUCTION

## Flexrail1™ - Variable Angle Connector

HM1-VA

WAC LIGHTING  
Responsible Lighting®

### CAUTION:

Always turn off power at fuse box prior to installation to prevent electrical shock.  
Consult general instruction sheet for system instructions.

### OVERVIEW:

Designed to work with WAC Flexrail1 system only. The variable angle connector joins two sections of rail, maintains electrical continuity and supports the rail.

### BEFORE YOU BEGIN:

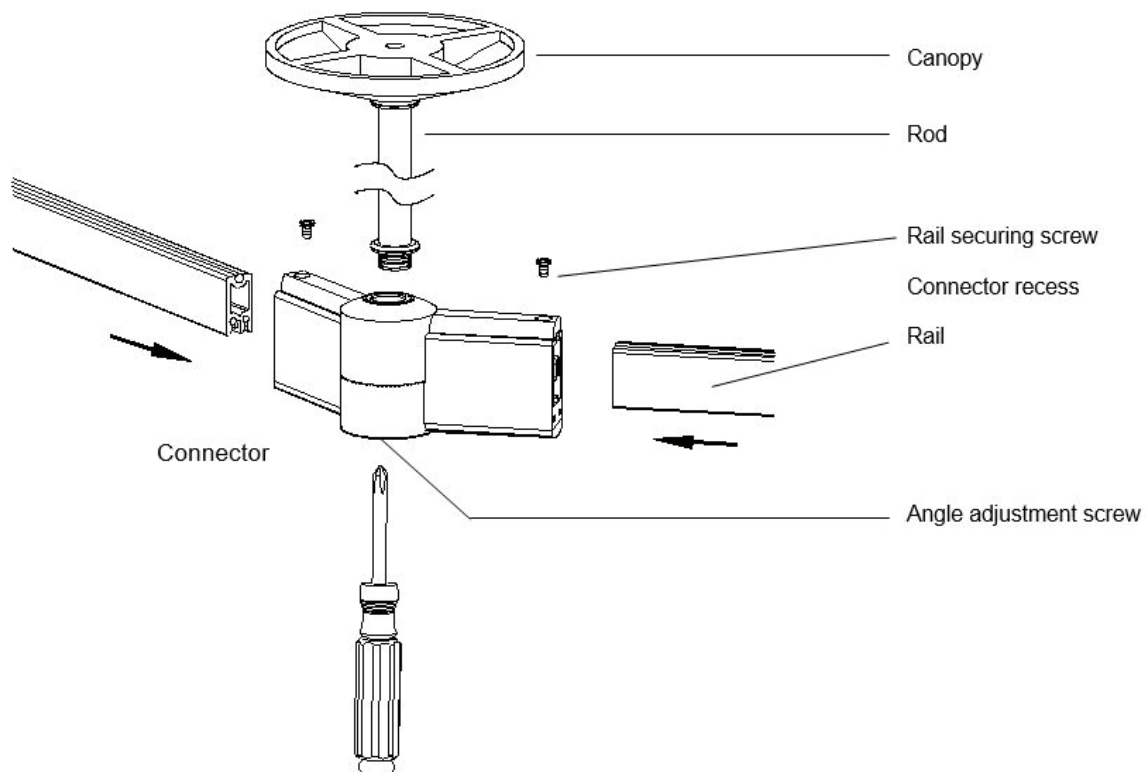
Connector is designed to join two factory-supplied rails. Field cutting of rail length is accomplished at the end of the last section, not at the connection point.

If working with a rail that has been bent check to see that the copper bus wires have not receded more than 1/8".

If so trim some of the plastic extrusion so the copper wires are flush with the rail end.

### TO INSTALL:

1. Determine the point on the ceiling where the center of the connector will reside.
2. Install the stand off portion to the ceiling (hardware supplied).
3. Screw the support rod to the canopy.
4. Loosen the top two rail securing screws on the connector so the recess is clear.
5. Loosen the angle adjustment screw at the bottom of the connector so it moves freely.
6. Thread the entire connector onto the rod.
7. Align the connector with rail ends.
8. Brace the end opposite the connector to ensure the bus wires do not protrude.
9. Insert the rail ends fully into the connector.
10. Secure the rail ends by tightening the two rail securing screws.
11. Secure the connector angle by tightening the angle adjustment screw.



WAC Lighting  
www.waclighting.com  
Phone (800) 526.2588 • Fax (800) 526.2585

Headquarters/Eastern Distribution Center  
44 Harbor Park Drive • Port Washington, NY 11050  
Phone (516) 515.5000 • Fax (516) 515.5050

Western Distribution Center  
1750 Archibald Ave • Ontario, CA 91761  
Phone (800) 526.2588 • Fax (800) 526.2585