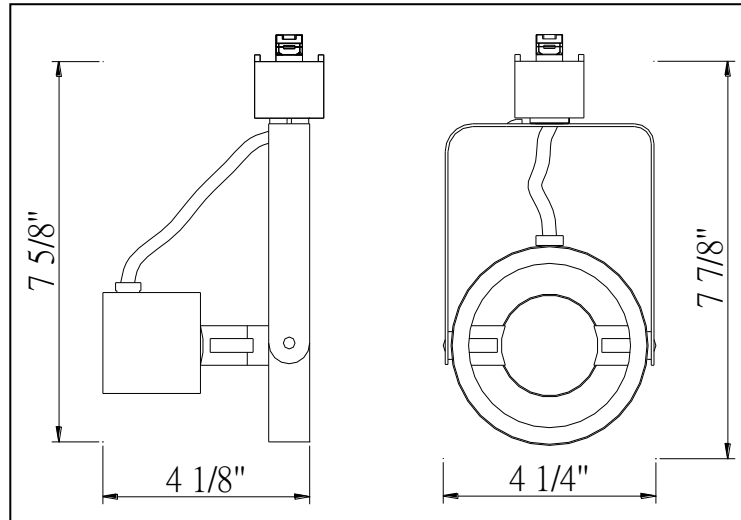




CAL LIGHTING

3625 E. Philadelphia St. Ontario CA. 91761 • Tel: 909.947.5200 • Fax:
909.947.5673 • www.calighting.com • service@calighting.com •
Specifications subject to change without notice

Type:
Project:
Catalog No.:
Lamp/Wattage:



Model No. : HT-202
Rotation : 355 degree
Capability : ± 30 degree from horizontal
Bulb : PAR30 (halogen) or R30 (incandescent)
Socket : Medium base
Voltage : 120V
Wattage : 75W Max.
Finish : RU (Rust)

Certificate :  c  us

