



# CAL LIGHTING

3625 E. Philadelphia St. Ontario CA. 91761 • Tel: 909.947.5200 • Fax:  
909.947.5673 • www.calighting.com • service@calighting.com • Specifications  
subject to change without notice

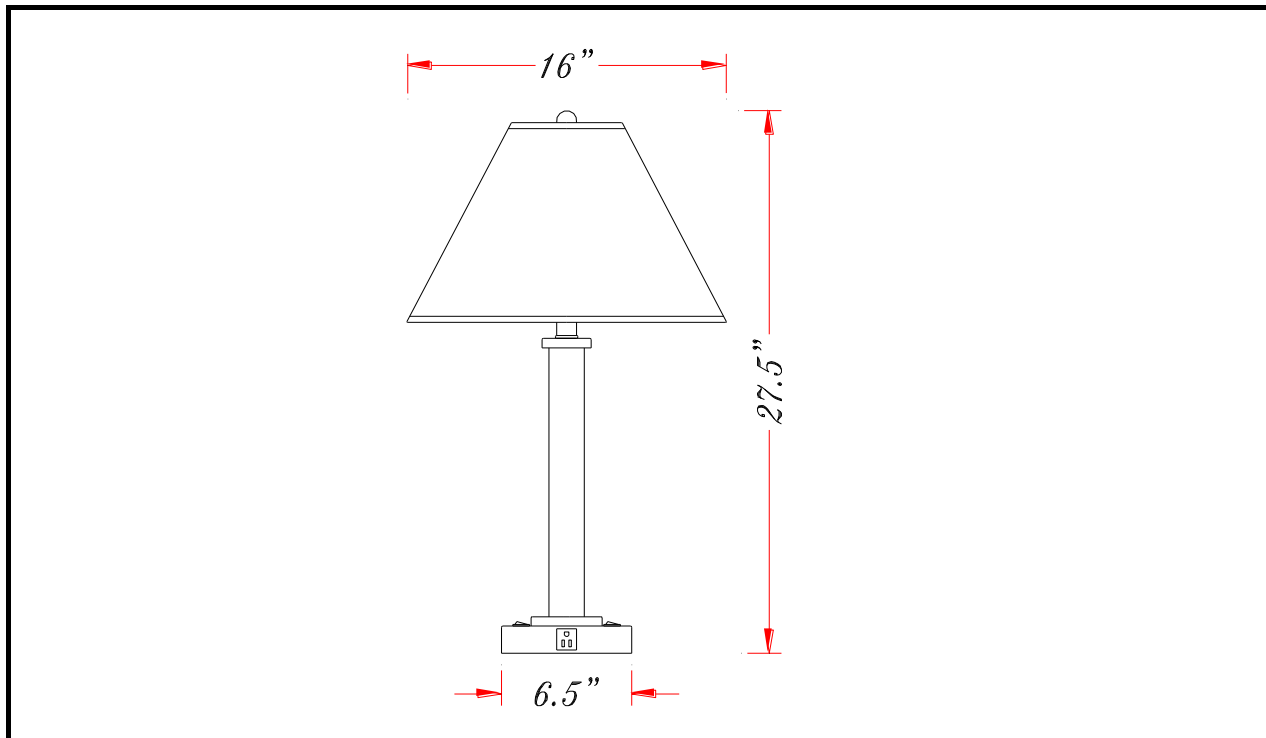
Type: \_\_\_\_\_

Project: \_\_\_\_\_

Catalog No.: \_\_\_\_\_

Lamp/Wattage: \_\_\_\_\_

Drawing:



- Model No:** LA-60003TB-2R
- Description:** 60Wx2 Rio metal night stand lamp with rocker base switch
- Material:** METAL
- Finish :** Brushed Steel
- Height:** 27 1/2"
- Base Width:** 6 1/2" X 6 1/2"
- Harp Size:** N/A
- Wattage :** 60W X 2
- Socket :** Medium Base (E26) X 2
- Switch:** Rocker base switch
- Bulb:** Incandescent, CFL
- Power Outlet:** 1
- Ethernet Jack:** None
- Cord:** SVT 18#
- Cord Length:** 6'
- Cord Color:** BLACK
- Shade No:** SH-1134
- Material:** Fabric
- Shade size:** (5-1/2"x 5-1/2") x( 16"x16") x 11"VH

Certificate :

