



CAL LIGHTING

3625 E. Philadelphia St. Ontario CA. 91761 • Tel: 909.947.5200 • Fax:
909.947.5673 • www.calighting.com • service@calighting.com •
Specifications subject to change without notice

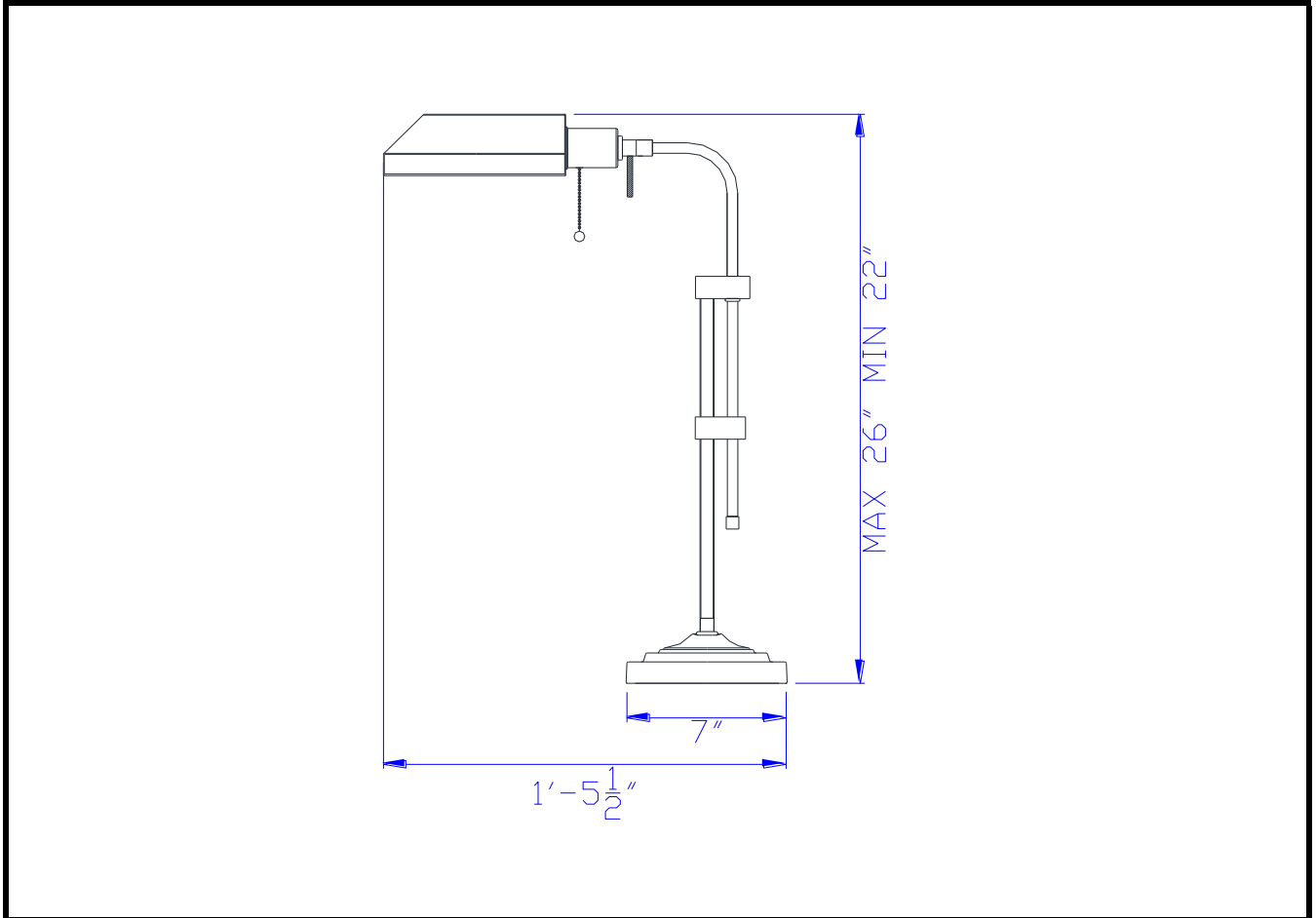
Type: _____

Project: _____

Catalog No.: _____

Lamp/Wattage: _____

Drawing:



- Model No:** BO-117TB
- Description:** Pharmacy Table Lamp with Adjustable Pole
- Material:** Metal
- Finish :** DB (Dark Bronze)
- Height:** 26"
- Base Width:** 7"
- Wattage :** 60W
- Socket :** Medium Base (E27)
- Switch:** On/OFF Pull Chain
- Bulb:** Incandescent, CFL
- Wire Length:** 6'
- Wire Color:** Black
- Shade No:**
- Material:** Metal
- Shade size:** 8"x4"x 2 3/4"

Certificate :

