

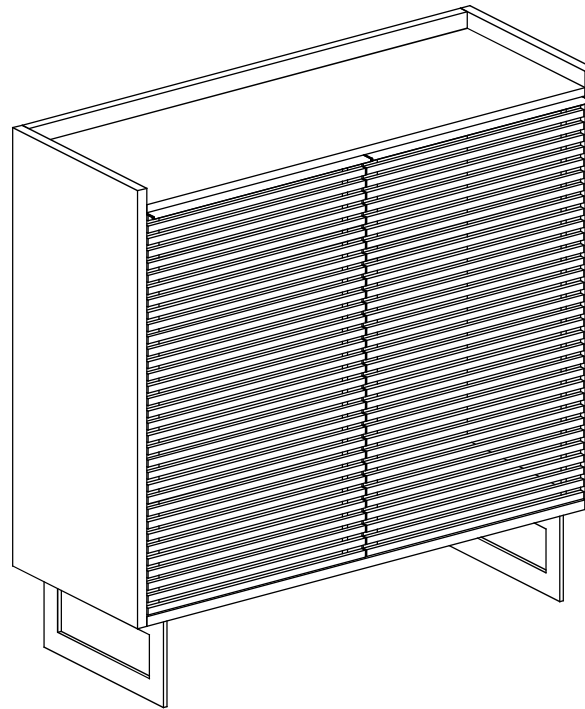
MOE'S

home collection

ASSEMBLY INSTRUCTIONS.

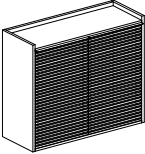
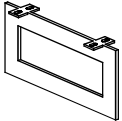




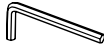
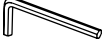



PALOMA SMALL CABINET

JD-1024-07



THANK YOU FOR YOUR PURCHASE!

PARTS AND HARDWARE.

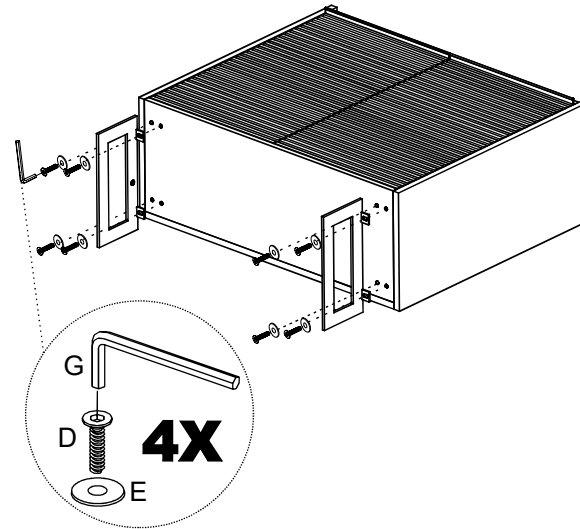
(A) Top , 1x 	
(B) Leg , 2x 	
(C) Support , 1x 	
(D) Allen Bolt , 8x (20x8mm) 	(E) Washer , 8x (8mm) 
(F) Allen Bolt , 2x (15x6mm) 	(G) Allen Key , 1x (6mm) 
(H) Allen Key , 1x (5mm) 	(I) Shelf Holder Pin , 8x 
(J) Wall Clip , 2x 	(K) Zip Tie , 2x 

NOTES.

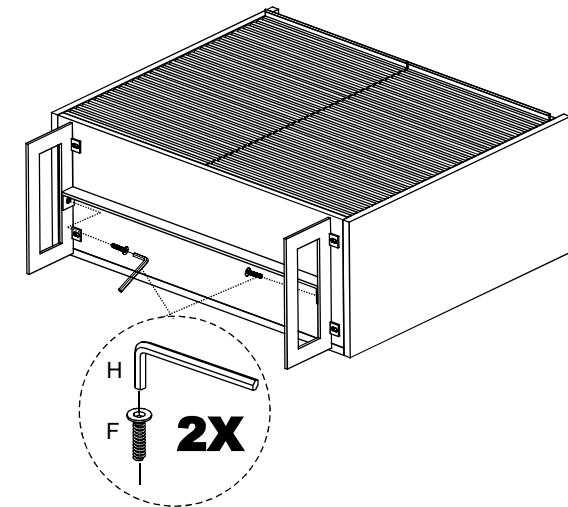
Thank you for purchasing this quality product! Be sure to check all packing material carefully for small part that may have come loose inside the carton during shipping.

CAUTION: The item is heavy, assembly should be performed by two people.

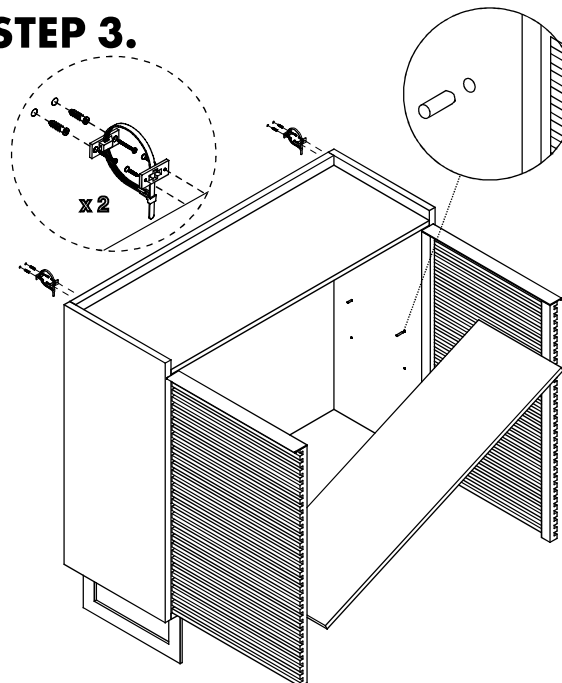
STEP 1.



STEP 2.



STEP 3.



STEP 4.

