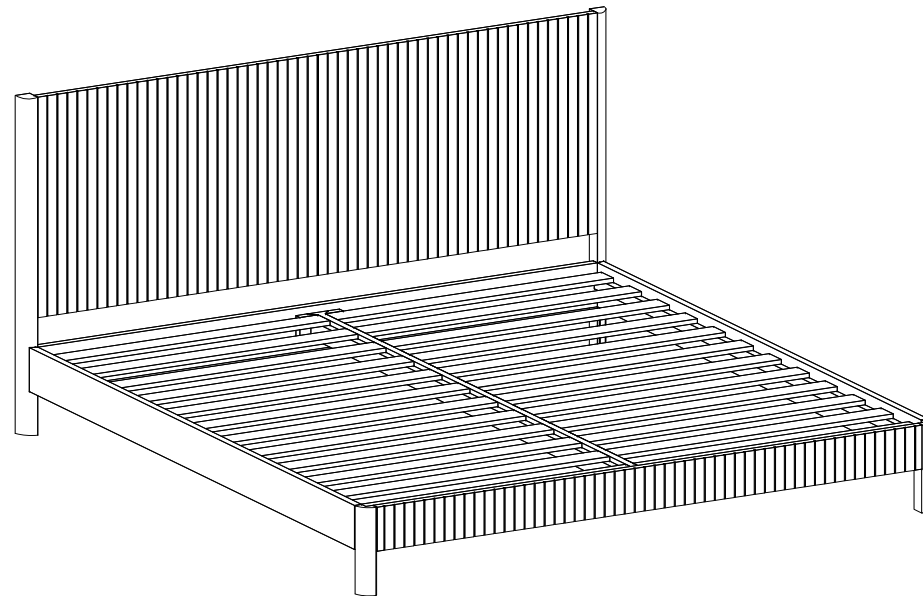


MOE'S

h o m e c o l l e c t i o n

ASSEMBLY INSTRUCTIONS.







POVERA KING BED OAK
JD-1061-24









THANK YOU FOR YOUR PURCHASE!

PARTS AND HARDWARE

Parts List

NO.	DESCRIPTION	IMAGE	QTY.
A	Headboard		1x
B	Side Rail		2x
C	Foot Board		1x
D	Center Support		1x
E	Center Leg		1x
F	Slate Set		2x

Hardware List

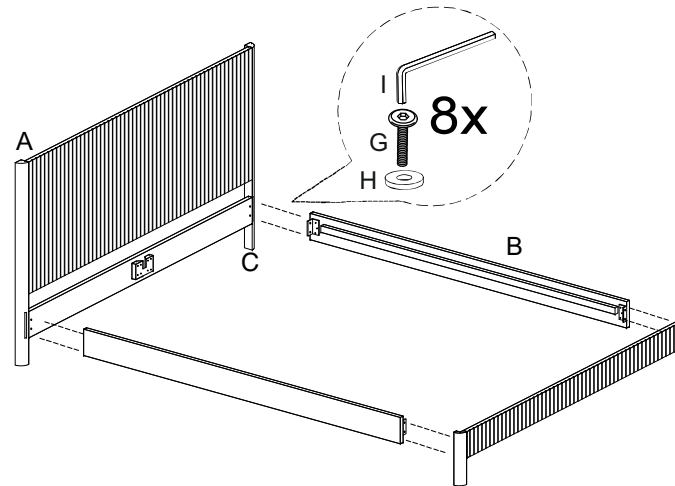
NO.	DESCRIPTION	IMAGE	QTY.
G	Allen Bolt (20x8mm)		8x
H	Washer (8mm)		10x
I	Allen Key (5mm)		1x
J	Allen Key (6mm)		1x
K	Socket Head Bolt (125x8mm)		1x
L	Hex Nut (8mm)		1x

NOTES.

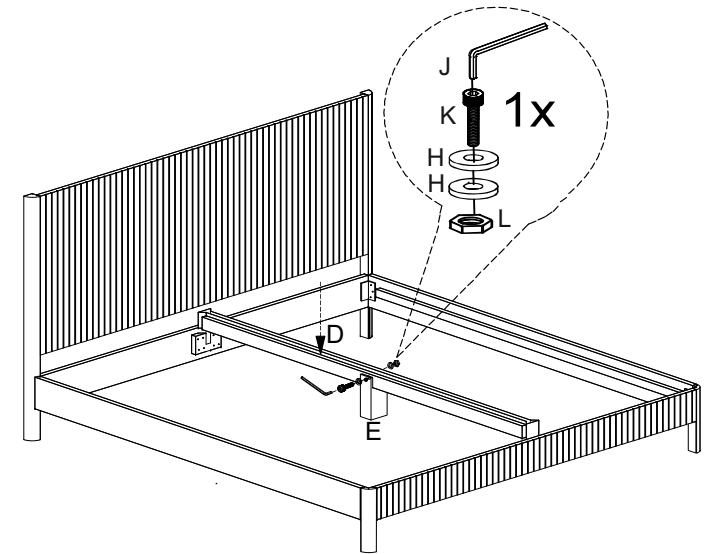
Thank you for purchasing this quality product! Be sure to check all packing material carefully for small part that may have come loose inside the carton shipping.

CAUTION: The item is heavy, assembly should be performed by four people.

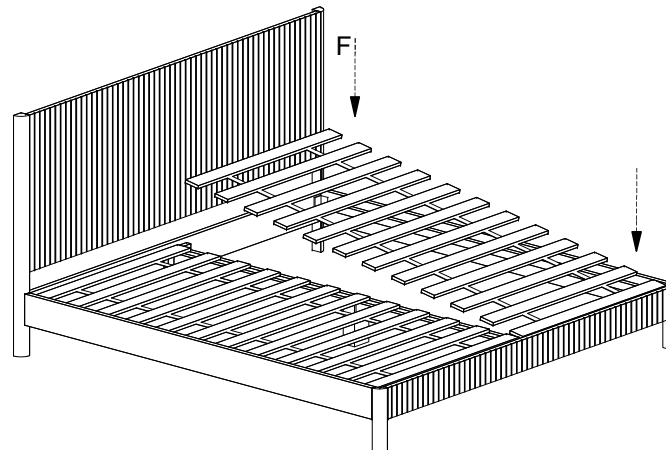
STEP 1.



STEP 2.



STEP 3.



STEP 4.

