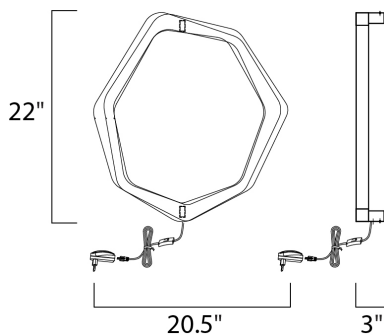


PRODUCT DESCRIPTION

Channels of Polished Chrome stainless steel are formed by hand into an irregular shaped ring. LED modules are then recessed into the frame and diffused through beveled crystals, bouncing light off the irregular surfaces to create a unique lighting effect. Boulder is a work of art which will inspire rooms to be designed around it.



MEASUREMENTS

DIMENSION : 20.5" W x 22" H x 3" Ext
 HANGING WEIGHT : 5.06 lb

LAMPING

INPUT VOLTAGE : 120V
 LUMENS : 630 Rated
 BULB : 7 x 2W LED PCB Integrated , 14W Total
 BULB INCLUDED : (Integrated)
 DIMMABLE : No
 CRI : 80+ CRI
 COLOR_TEMP : 3000K
 LIGHTING_DIRECTION : Indirect

FINISHES OPTION

 Polished Chrome

MATERIAL

Stainless Steel

RATINGS

cETLus
 Damp Location
 ADA



ADDITIONAL

INSTALL UP/DOWN: Up
 RATED LIFE 25000 Hours
 OPERATING TEMPERATURE:
 -20°C (-4°F), 40°C (104°F)

Always consult a qualified electrician before installing any lighting product.



WESTERN DISTRIBUTION CENTER (HEADQUARTER)
 253 NORTH VINELAND AVE | CITY OF INDUSTRY, CA 91746
EASTERN DISTRIBUTION CENTER
 4200 SHIRLEY DR. | ATLANTA, GA 30336
 P. 626.956.4200 | F. 626.956.4225 | et2online.com