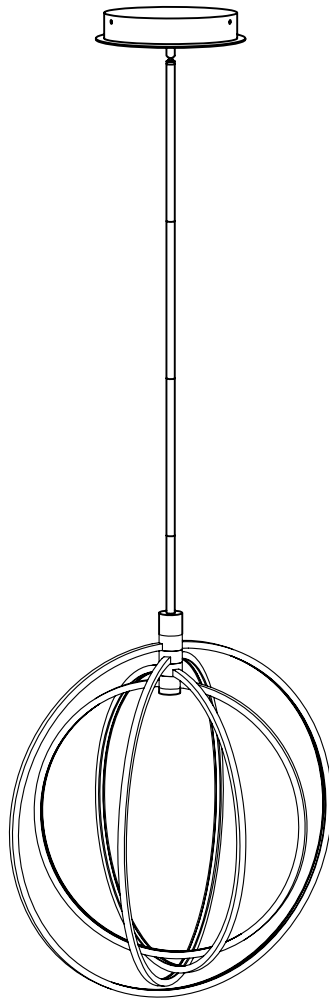


PRODUCT NAME: Concentric LED Pendant
ITEM NUMBER: E24048

Please consult your electrician for hanging fixture and wiring.



WARNING: WIRES NEED TO BE CONNECTED TO DRIVER FOUND IN CANOPY AND SHOULD NOT CONECT DIRECTLY TO POWER SOURCE OR A SHORT MIGHT OCCUR.

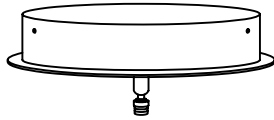
This fixture is designed to dim with standard triac forward phase dimmer. Dimming levels will vary by dimmer. Below is a list of recommend dimmers:
Lutron MACL-153M
Lutron DVL-153P
Lutron SCL-153P
Leviton IPL06-10Z
Leviton 6674-POW
Due to the inrush current wattage should not exceed 150 watts of product for a 600 watt dimmer.

80W LED

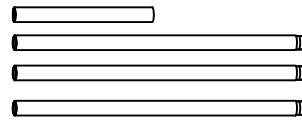
IMPORTANT: Turn off the power at the main fuse or circuit breaker box before starting installation



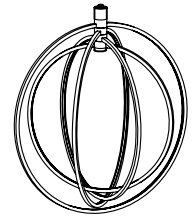
Bracket (A)



Canopy (B)

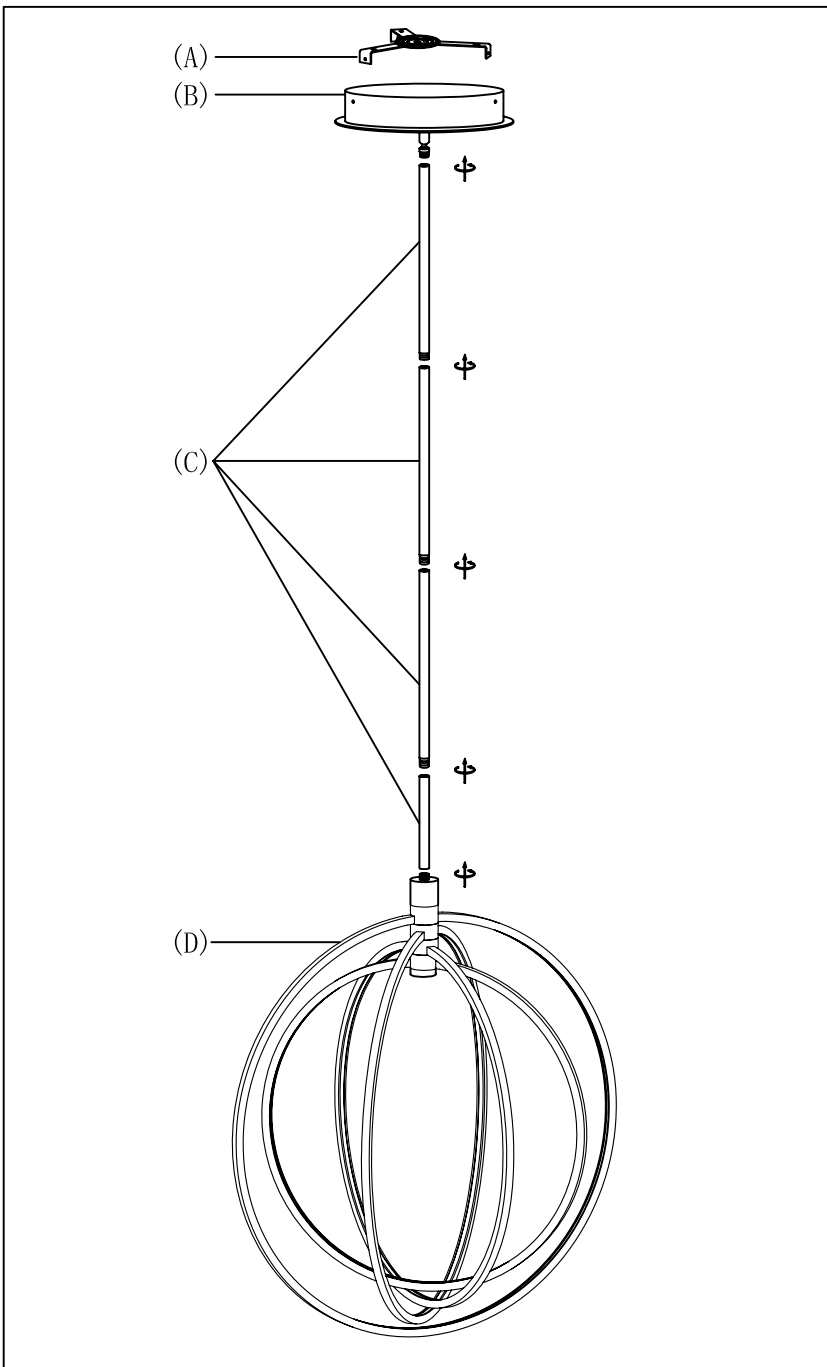


Stem (C)

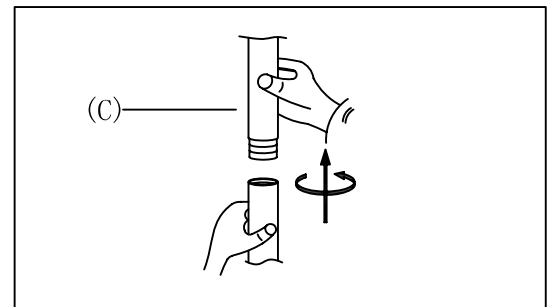


Body (D)

Locate all hardware & components before discarding packaging

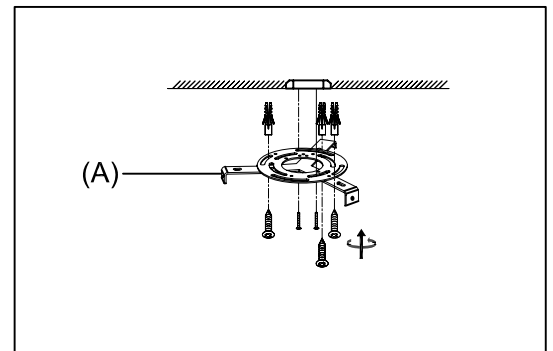


1.)



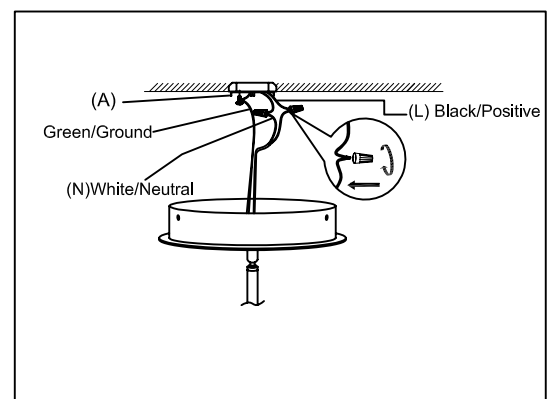
Step. 1: Run wire through the stems (C) and combine stem lengths to desired mounting height.

2.)



Step. 2: Remove the mounting bracket (A) from canopy and install to electrical box.

3.)



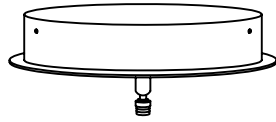
Step. 3: Use terminal block to connect wires. Red to red wires, black to black wires, and green wire to ground screw. Then connect black and white wires to supply wires.

Cleaning & Care:
Clean with soft cloth and a mild detergent.
Do not use abrasive cleaner.

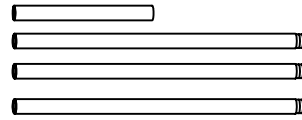
IMPORTANT: Turn off the power at the main fuse or circuit breaker box before starting installation



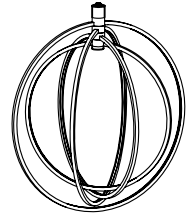
Bracket (A)



Canopy (B)

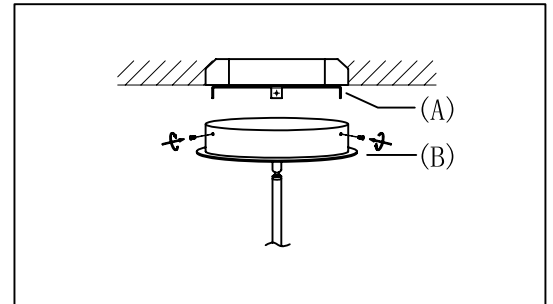
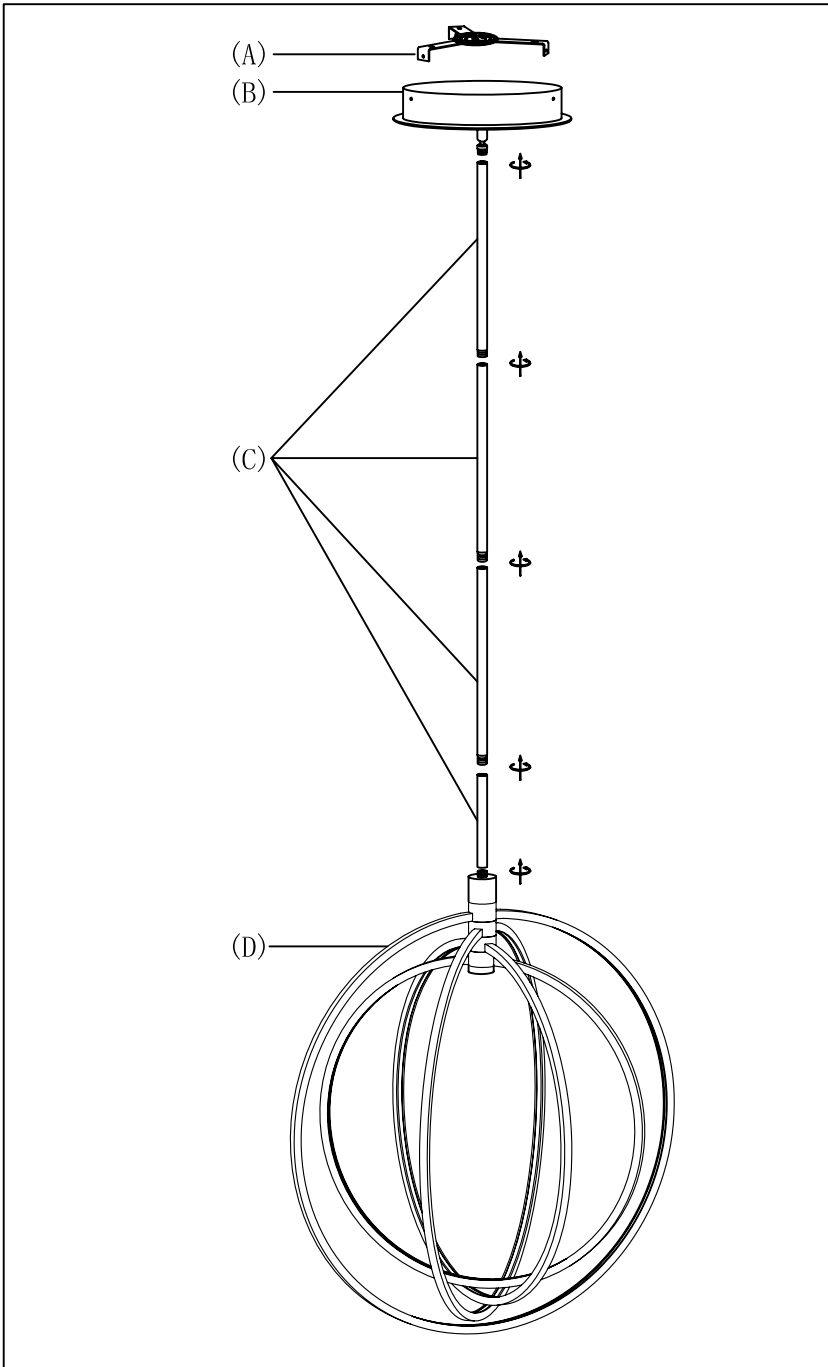


Stem (C)

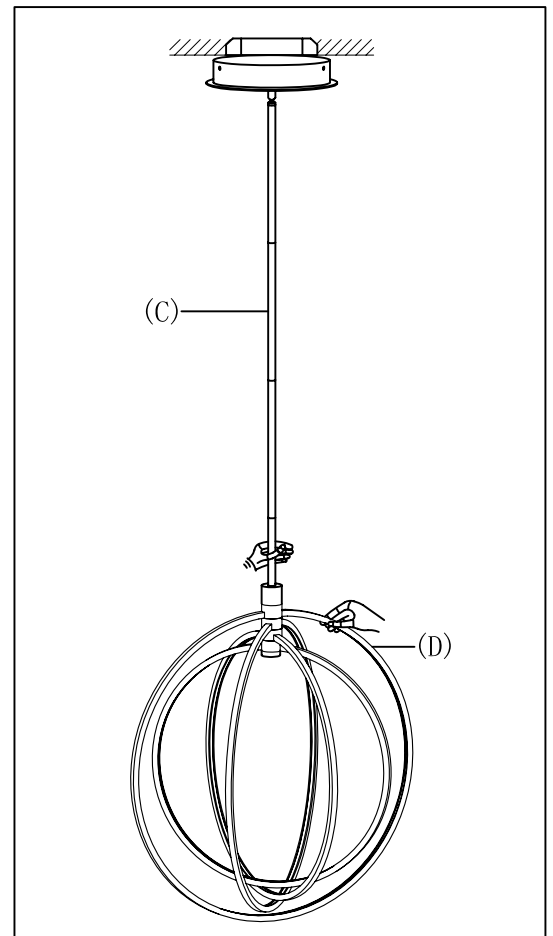


Body (D)

Locate all hardware & components before discarding packaging



Step. 4: Install canopy (B) to bracket (A) and tighten screws at the ends of canopy to secure.



Step. 5: Hold the stem and adjust the Body (D) to the preferred angle.

Cleaning & Care:
Clean with soft cloth and a mild detergent.
Do not use abrasive cleaner.