



## DL-FLEX2-SHO

LED FLEXIBLE LINEAR  
SUPER HIGH OUTPUT SERIES

|             |  |
|-------------|--|
| Type        |  |
| Project     |  |
| Catalog No. |  |



### DESCRIPTION

DL-FLEX2-SHO is a super high output LED tape. Market leading 129.9lm/W provide never before seen 1148lm/ft. High LED density of 72LEDs/ft provide a smooth and uniform beam. Short cut length of 1-5/16" means high customizability. Sold by the reel or by the foot. The tape is Triac dimmable using our standard dimmable drivers or 0-10V dimmable using our LC-DIM-5A. Standard mounting with hi-bond adhesive tape. Also can be mounted using channels or mounting clips.

### FEATURES

- Very high output of up to 1148lm/ft
- Very high efficacy of up to 128.9lm/W
- High LED density of 72LEDs/ft provide a uniform beam pattern
- No UV/IR radiation, no mercury
- Even, 120° light distribution
- Mounts with 3M hi-bond adhesive
- Low profile and flexible (for bends 90 degrees or tighter do so at the cutting mark)
- Suitable for use in closet applications when installed with channel and lens in accordance to NEC code

### APPLICATIONS




- Cove, soffit, and accent lighting
- Path, contour, and edge lighting
- Display, and back lighting
- Under-shelf and under-cabinet lighting

### LUMEN DATA

| Color Temp | Watts *<br>(per ft) | Lumens<br>(per ft) | Efficacy<br>(lm/W) | CRI |
|------------|---------------------|--------------------|--------------------|-----|
| 2600-2850K | 8.91W               | 1044.1             | 117.2              | 90+ |
| 2900-3200K | 8.91W               | 1096.3             | 123.0              | 90+ |
| 3250-3700K | 8.91W               | 1127.6             | 126.6              | 90+ |
| 3700-4250K | 8.91W               | 1127.6             | 126.6              | 90+ |
| 4750-5300K | 8.91W               | 1148.5             | 128.9              | 90+ |
| 6150-6900K | 8.91W               | 1148.5             | 128.9              | 90+ |

MUST USE WITH A CHANNEL FOR SUFFICIENT HEAT DISSIPATION.

### SPECIFICATIONS

|                         |   |
|-------------------------|---|
| Beam Angle              | 120°  |
| Input Voltage           | 24V DC  |
| Wattage                 | 8.91W   |
| CRI                     | 90+   |
| CCT                     | 2700K/3000K/3500K/4000K/5000K/6500K   |
| Lamp Life               | 50,000 hours  |
| Dimensions              | 7/16"W x 1/16"H (10mm W x 1.8mm H)  |
| LEDs/ft                 | 72  |
| Operating Temperature * | -4°F to 104°F   |
| Max Run †               | 10 ft   |
| Min Run †               | 1-5/16"   |
| Environment             | Indoor-Dry  |
| Certifications          |    |
| Warranty                | 5 Years – see published warranty terms for detailed information.  |

\* Exceeding the operating temperature values may damage the LEDs by reducing the lifespan, lumen output, adversely impact color consistency, and void the warranty. It is recommended adequate airflow and heat sinking be taken into consideration in the installation and application of this product. Improper thermal management may lead to premature product failure.

† Single runs can not exceed max run lengths. Cuts can only be made on the cutting mark.

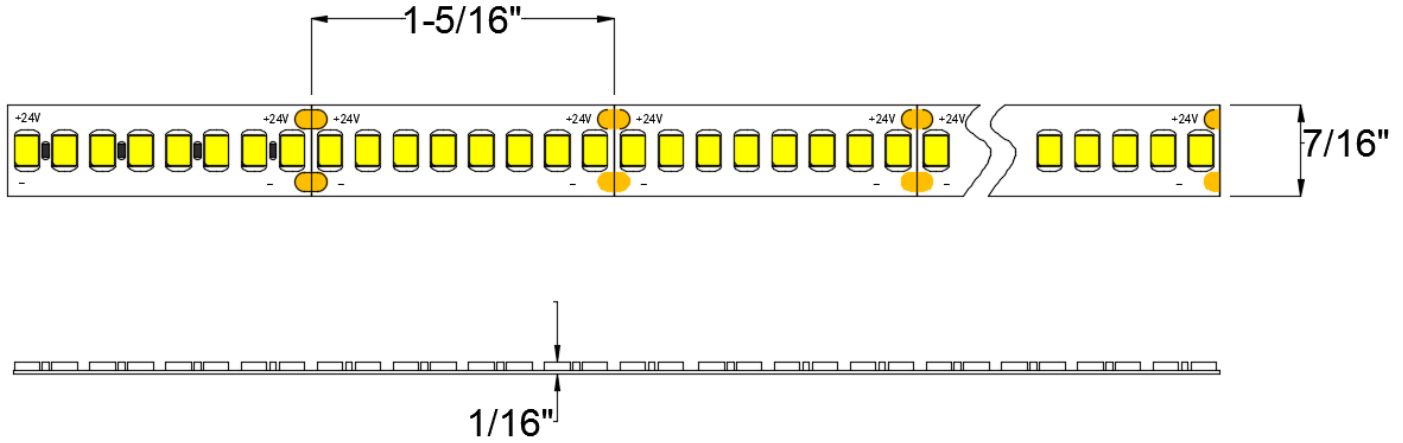
**NOTE: MUST USE WITH A CHANNEL FOR SUFFICIENT HEAT DISSIPATION.**



**DL-FLEX2-SHO**  
**LED FLEXIBLE LINEAR**  
**SUPER HIGH OUTPUT SERIES**

|             |  |
|-------------|--|
| Type        |  |
| Project     |  |
| Catalog No. |  |

**DIMENSIONS**



**ORDERING INFORMATION**

*Ordered by the Foot:*

| SERIES   | MODEL | COLOR                     |
|----------|-------|---------------------------|
| DL-FLEX2 | SHO   | <input type="text"/>      |
|          |       | 2790 – 2600-2850K / 90CRI |
|          |       | 3090 – 2900-3200K / 90CRI |
|          |       | 3590 – 3250-3700K / 90CRI |
|          |       | 4090 – 3700-4250K / 90CRI |
|          |       | 5090 – 4750-5300K / 90CRI |
|          |       | 6590 – 6150-6900K / 90CRI |

Specify required amount of 1 ft lengths before the ordering number.  
**Example: 10 x DL-FLEX2-SHO-3080**

*Ordered by the Reel:*

| SERIES   | MODEL | COLOR                     | REEL LENGTH |
|----------|-------|---------------------------|-------------|
| DL-FLEX2 | SHO   | <input type="text"/>      | 10FT        |
|          |       | 2790 – 2600-2850K / 90CRI |             |
|          |       | 3090 – 2900-3200K / 90CRI |             |
|          |       | 3590 – 3250-3700K / 90CRI |             |
|          |       | 4090 – 3700-4250K / 90CRI |             |
|          |       | 5090 – 4750-5300K / 90CRI |             |
|          |       | 6590 – 6150-6900K / 90CRI |             |

DL-FLEX2-SHO is packed in 10 ft reel lengths.  
 Each reel comes with a male plug and play connector at both ends of the run.  
**Example: DL-FLEX2-SHO-3090-10FT**

**NOTE: MUST USE WITH A CHANNEL FOR SUFFICIENT HEAT DISSIPATION.**



www.jescolighting.com  
 support@jescolighting.com  
 Tech Support: 855.592.0029

15 Harbor Park Drive  
 Port Washington, NY 11050  
 Main Line: 800.527.7796  
 Fax Line: 855.265.5768

219 South 6<sup>th</sup> Ave  
 City of Industry, CA 91746  
 Main Line: 855.654.0110  
 Fax Line: 626.333.2955

4/2/2020

Specifications subject to change without notice.

Page 2 of 7



# DL-FLEX2-SHO

LED FLEXIBLE LINEAR  
SUPER HIGH OUTPUT SERIES

|             |  |
|-------------|--|
| Type        |  |
| Project     |  |
| Catalog No. |  |

## WIRING ACCESSORIES

|  |  |  |   |
|--|--|--|---|
|  | <b>DL-FLEX2-CLAMP-PC-10B</b><br>Plug and play power cord. Connects plug and play equipment to DL-FLEX2.<br><i>Can only be connected to ends cut along the cutting mark*</i><br>12" cable |  | <b>DL-FLEX2-CLAMP-PC-HW-10B</b><br>Hardwire power cord. Connects hard-wire equipment to DL-FLEX2.<br><i>Can only be connected to ends cut along the cutting mark*</i><br>12" cable.   |
|  | <b>DL-FLEX2-CLAMP-CC3-10B</b><br>Connecting cable with 3" wire. Connects tape to tape.<br><i>Can only be connected to ends cut along the cutting mark*</i>                               |  | <b>DL-FLEX2-CLAMP-CC6-10B</b><br>Connecting cable with 6" wire. Connects tape to tape.<br><i>Can only be connected to ends cut along the cutting mark*</i>                            |
|  | <b>DL-FLEX2-CLAMP-CC12-10B</b><br>Connecting cable with 12" wire. Connects tape to tape.<br><i>Can only be connected to ends cut along the cutting mark*</i>                             |  | <b>DL-PS-PT-M</b><br>12" cable with Male barrel connector on one end and bare wires on the other. Can be used with the Individual connectors below to make Plug and play connections. |

## INDIVIDUAL CONNECTORS

|  |   |  |  |
|--|---|--|--|
|  | <b>DL-FLEX2-CLAMP-WT10B</b><br>Wire to Tape Connector for 10mm wide PCB<br>Quick Splice action, insert unstripped 22AWG wire (wire not provided)<br><i>Can only be connected to ends cut along the cutting mark.*</i><br><b>Dims: 5/8"(14.6mm) W x 1"(24.5mm) L x 3/8"(8mm) H</b> |  | <b>DL-FLEX2-CLAMP-TT10B</b><br>Tape to Tape Connector for 10mm wide PCB<br>Connects cut ends where indicated by a cutting mark of DL-FLEX2 tape*<br><b>Dims: 5/8"(14.6mm) W x 7/8"(19.5mm) L x 3/8"(8mm) H</b> |
|--|---|--|--|

\*Avoid cutting on soldered joints. Segments starting with solder joint will not work with connector.

\*All dimensions are nominal

## MOUNTING ACCESSORIES

|  |   |
|--|---|
|  | <b>DL-FLEX2-MC-10</b><br>Mounting Clips for 10mm wide PCB |
|--|---|



|             |  |
|-------------|--|
| Type        |  |
| Project     |  |
| Catalog No. |  |

**POWER SUPPLIES**

| <b>24V Plug and Play Power Supplies<br/>UL Listed</b> |         |
|---|---------|
| Model Number  | Wattage |
| DL-PS-WP24/24   | 24      |
| DL-PS-24/24   | 24      |
| DL-PS-48/24   | 48      |
| DL-PS-60/24   | 60      |
| DL-PS-100/24  | 90      |
| DL-PS-100/24-CL2 *                                    | 96      |

\* Class 2

| <b>24V Hard-Wire Power Supplies<br/>UL Listed</b> |         |
|---|---------|
| Model Number                                      | Wattage |
| DL-PS-20/24-HWA                                   | 20      |
| DL-PS-60/24-HWA                                   | 60      |
| DL-PS-96/24-HWA                                   | 96      |

| <b>24V Hard-Wire Power Supplies in Junction Box<br/>UL Listed (with Junction Box)</b> |         |
|---|---------|
| Model Number  | Wattage |
| DL-PS-20/24-JBA   | 20      |
| DL-PS-60/24-JBA   | 60      |
| DL-PS-96/24-JBA   | 96      |

| <b>24V Hard-Wire Outdoor Power Supplies<br/>UL Listed (with Junction Box)</b> |         |
|---|---------|
| Model Number  | Wattage |
| DL-PS-80/24-JB-OD   | 80      |
| DL-PS-96/24-JB-OD   | 96      |

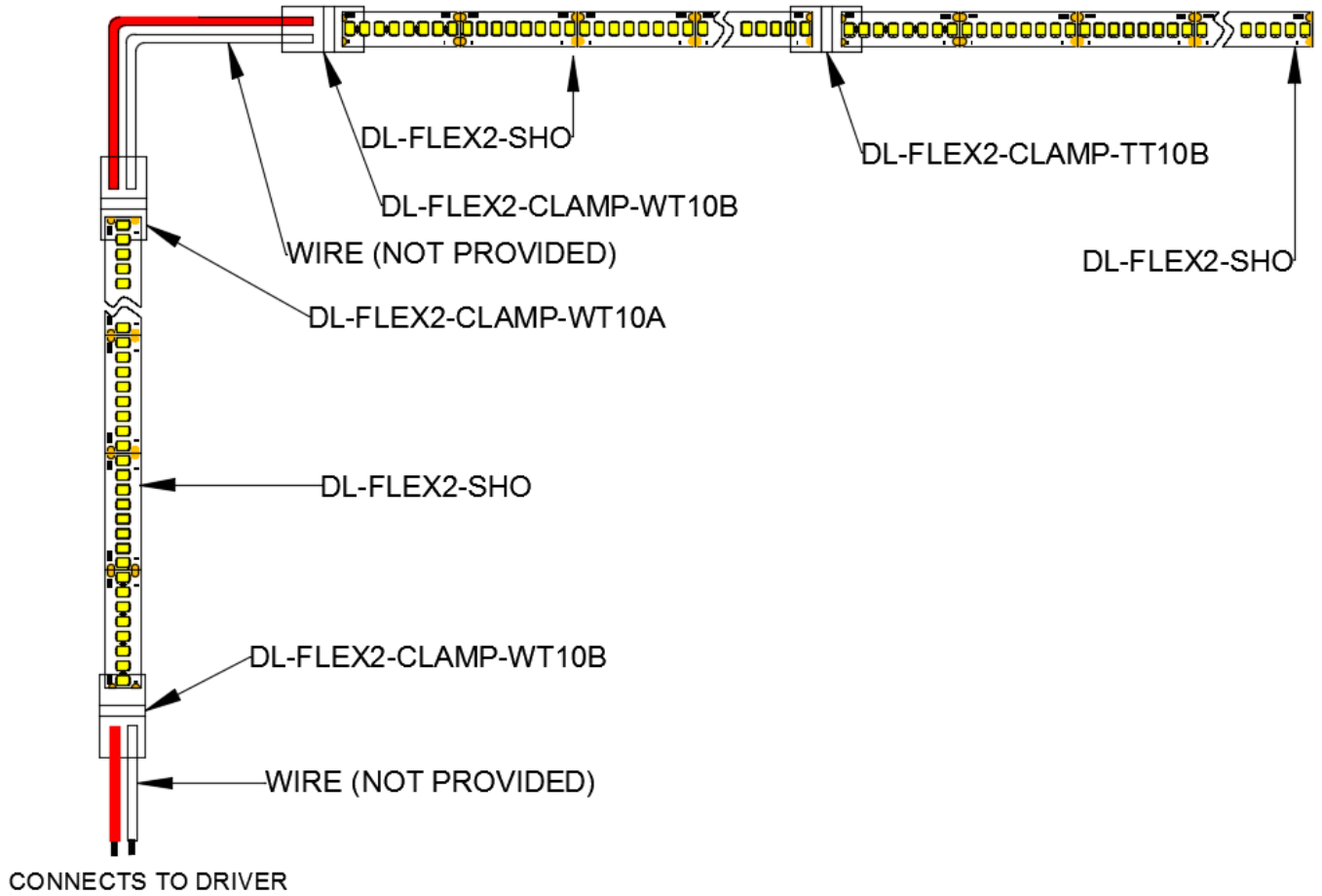
| <b>Lutron 24V Dimmable PowerSupplies<br/>UL Listed (with Junction Box)</b> |   |             |         |
|--|---|-------------|---------|
| Model Number   |   | Dim Range   | Wattage |
| DL-PS-L3DAE  | Hi-lume 1% EcoSystem 24V LED Driver   | 100% – 1%   | 40      |
| DL-PS-L3DA3W   | Hi-lume 1% 3-wire 24V LED Driver  | 100% – 1%   | 40      |
| DL-PS-LTEA2W   | Hi-lume 1% 2-wire 24V LED driver (120 V forward phase only)   | 100% – 1%   | 40      |
| DL-PS-L3D0E  | Hi-lume Premier 0.1% EcoSystem 24V constant voltage LED driver with Soft-on, Fade-to-Black dimming technology | 100% – 0.1% | 96      |
| DL-PS-L3D03W   | Hi-lume Premier 0.1% 3-wire 24V constant voltage LED driver   | 100% – 0.1% | 96      |



|             |  |
|-------------|--|
| Type        |  |
| Project     |  |
| Catalog No. |  |

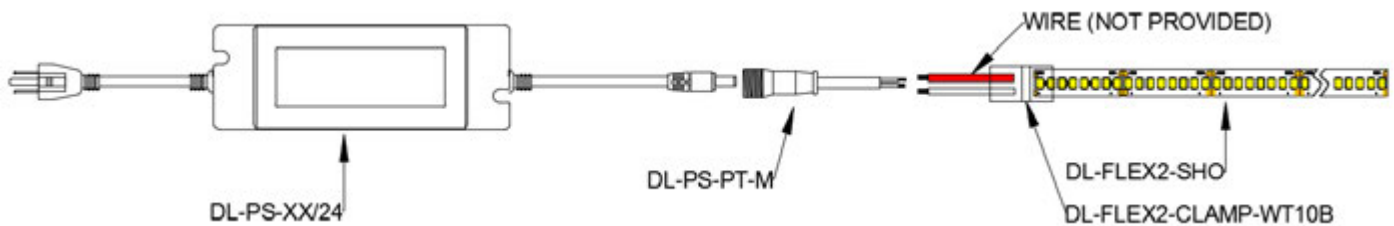
**CONNECTOR APPLICATION**

Our Clamp connectors can be used to make a wide variety of connections such as power cable, connecting cable and inline connections as shown below:



**WIRING DIAGRAMS**

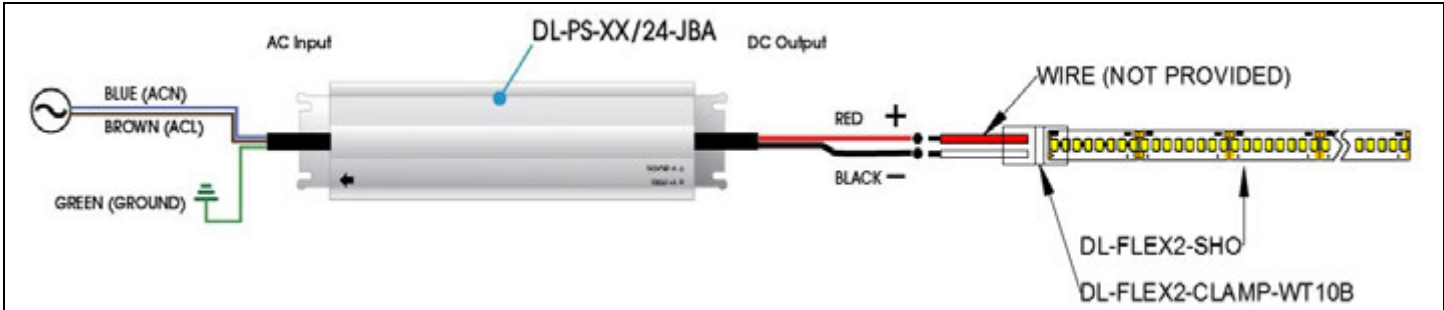
**PLUG AND PLAY**



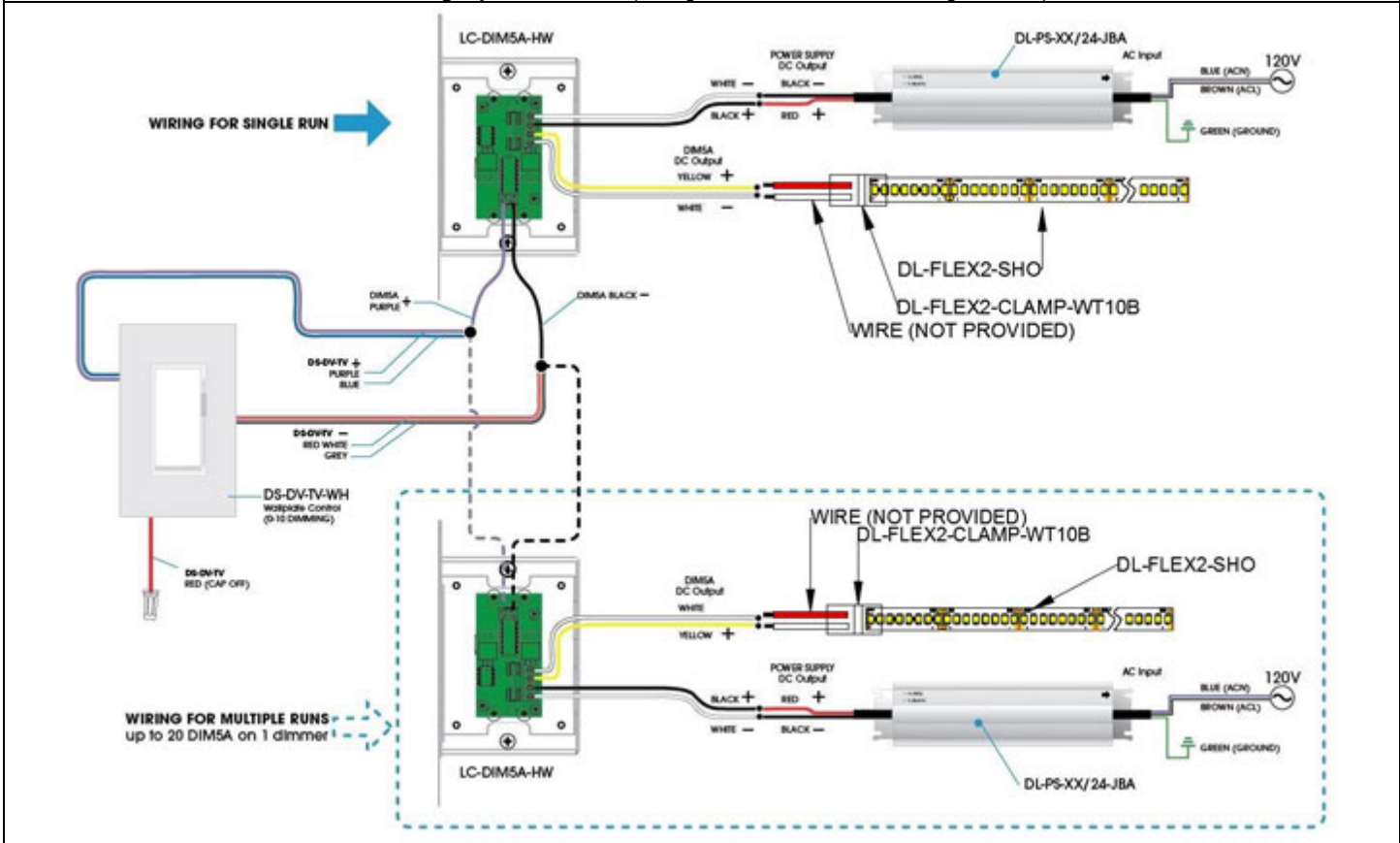


|             |  |
|-------------|--|
| Type        |  |
| Project     |  |
| Catalog No. |  |

**HARDWIRE**



**Dimming Option – 0-10V (Using our LC-DIM-5A Dimming Module)**



**CHANNELS**

See Channel Feature Matrix below.  
 See our complete line of rough-in, recessed and surface mount [FLEXIBLE LINEAR MOUNTING CHANNELS](#) online for more information.





|             |  |
|-------------|--|
| Type        |  |
| Project     |  |
| Catalog No. |  |

**CHANNEL FEATURE MATRIX**

|  | ROUGH-IN |          |          |          | MEDIUM DEPTH PROFILE |          |          |          |          | SMALL DEPTH PROFILE |          |          |          |          | BASIC       |               |                |
|--|----------|----------|----------|----------|----------------------|----------|----------|----------|----------|---------------------|----------|----------|----------|----------|-------------|---------------|----------------|
|  | CH-RI-11 | CH-RI-12 | CH-RI-13 | CH-RI-14 | CH-ME-21             | CH-ME-22 | CH-ME-23 | CH-ME-24 | CH-ME-25 | CH-SM-31            | CH-SM-32 | CH-SM-33 | CH-SM-34 | CH-SM-35 | DL-FLEX-CH6 | DL-FLEX-CH6-B | DL-FLEX-OD-CH6 |
| DL-FLEX2-FS                                | ●        | ●        | ●        | ●        | ●                    | ●        | ●        | ●        | ●        | ●                   | ●        | ●        | ●        | ●        |             | ●             | ●              |
| DL-FLEX2-FS w/ connectors                  | ●        | ●        | ●        | ●        | ●                    | ●        | ●        | ●        | ●        | ●                   | ●        | ●        | ●        | ●        |             | ●             | ●              |
| DL-FLEX2-SC                                | ●        | ●        | ●        | ●        | ●                    | ●        | ●        | ●        | ●        | ●                   | ●        | ●        | ●        | ●        |             | ●             | ●              |
| DL-FLEX2-SC w/ connectors                  | ●        | ●        | ●        | ●        | ●                    | ●        | ●        | ●        | ●        | ●                   | ●        | ●        | ●        | ●        |             | ●             | ●              |
| DL-FLEX2-SHD                               | ●        | ●        | ●        | ●        | ●                    | ●        | ●        | ●        | ●        | ●                   | ●        | ●        | ●        | ●        |             | ●             | ●              |
| DL-FLEX2-SHD w/ connectors                 | ●        | ●        | ●        | ●        | ●                    | ●        | ●        | ●        | ●        | ●                   | ●        | ●        | ●        | ●        |             | ●             | ●              |
| DL-FLEX2-SHO                               | ●        | ●        | ●        | ●        | ●                    | ●        | ●        | ●        | ●        | ●                   | ●        | ●        | ●        | ●        |             | ●             | ●              |
| DL-FLEX2-SHO w/ connectors                 | ●        | ●        | ●        | ●        | ●                    | ●        | ●        | ●        | ●        | ●                   | ●        | ●        | ●        | ●        |             | ●             | ●              |
| DL-FLEX2-RGB-HD                            | ●        | ●        | ●        | ●        | ●                    | ●        | ●        | ●        | ●        | ●                   | ●        | ●        | ●        | ●        |             | ●             | ●              |
| DL-FLEX2-RGB-HD w/ connectors              | ●        | ●        | ●        | ●        | ●                    | ●        | ●        | ●        | ●        | ●                   | ●        | ●        | ●        | ●        |             | ●             | ●              |
| DL-FLEX2-RGBW                              | ●        | ●        | ●        | ●        |                      |          |          |          |          | ●                   | ●        | ●        | ●        | ●        |             | ●             | ●              |
| DL-FLEX2-RGBW w/ connectors                | ●        | ●        | ●        | ●        |                      |          |          |          |          | ●                   | ●        | ●        | ●        | ●        |             | ●             | ●              |
| DL-FLEX2-RGBWW                             | ●        | ●        | ●        | ●        |                      |          |          |          |          | ●                   | ●        | ●        | ●        | ●        |             | ●             | ●              |
| Surface Mounting                           |          |          | C        | C/E      | D                    |          | D        | D        | D        | D                   |          | D        |          | D        | D           | D             | D              |
| 45° Mounting                               |          |          |          |          |                      |          |          | ●        |          |                     |          |          |          | ●        |             |               |                |
| Recessed – For Miter Grooves               |          |          |          |          | F                    | G        |          |          |          | F                   | G        | F        | G        |          |             |               |                |
| Rough-in – For Walls & Ceilings            | A/B      | A        | A        | A        |                      |          |          |          |          |                     |          |          |          |          |             |               |                |
| Adjustable Mounting                        |          |          |          |          |                      |          |          |          |          | ●                   |          |          |          |          |             | ●             |                |
| Outdoor Mounting                           |          |          |          |          |                      |          |          |          |          |                     |          |          |          |          |             |               | ●              |
| Flangeless                                 |          |          | ●        | ●        | ●                    |          | ●        | ●        | ●        | ●                   |          | ●        |          | ●        | ●           | ●             | ●              |
| Flanged                                    | ●        | ●        |          |          |                      | ●        |          |          |          |                     | ●        |          | ●        |          |             |               |                |
| Lens Included                              |          |          |          |          |                      |          |          |          |          | ●                   | ●        | ●        | ●        | ●        |             |               |                |
| Lensless                                   |          |          |          |          |                      |          |          |          |          |                     |          |          |          |          | ●           | ●             | ●              |
| Lens – UV and Fire Rated up to 240F option | ●        | ●        |          |          | ●                    | ●        | ●        | ●        | ●        |                     |          |          |          |          |             |               |                |
| Small Profile Depth – Diffused Light       |          |          |          |          |                      |          |          |          |          | ●                   | ●        | ●        | ●        | ●        | ●           | ●             | ●              |
| Medium Profile Depth – More Diffused Light |          |          |          |          | ●                    | ●        | ●        | ●        | ●        |                     |          |          |          |          |             |               |                |
| Large Profile Depth – Best Diffused Light  | ●        | ●        | ●        | ●        |                      |          |          |          |          |                     |          |          |          |          |             |               |                |
| Aluminum – Anodized                        | ●        | ●        | ●        | ●        | ●                    | ●        |          | ●        | ●        | ●                   | ●        | ●        | ●        | ●        | ●           | ●             | ●              |
| MDF (easy paintable)                       |          |          |          |          |                      |          | ●        |          |          |                     |          |          |          |          |             |               |                |
| 6 Ft. Length                               |          |          |          |          |                      |          |          |          |          | ●                   | ●        | ●        | ●        | ●        | ●           | ●             | ●              |
| 6-1/2 Ft. Length (2 meters)                | ●        | ●        | ●        | ●        | ●                    | ●        | ●        | ●        | ●        |                     |          |          |          |          |             |               |                |

**SUGGESTED MOUNTING TECHNIQUES**

**A** Drywall Recessed Rough-In Mounting with Channel Housing



**B** Drywall Recessed Rough-In Mounting with Spring Clip



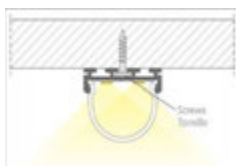
**C** Surface Mounting onto Drywall or Drop Ceilings



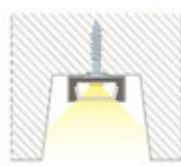
**D** Surface Mounting with Bracket



**E** Surface mounting by Sliding onto Flat Head Screws



**F** Recessed Mounting into Mitered Groove with Bracket



**G** Recessed Mounting into a Mitered Groove using a flanged Channel

