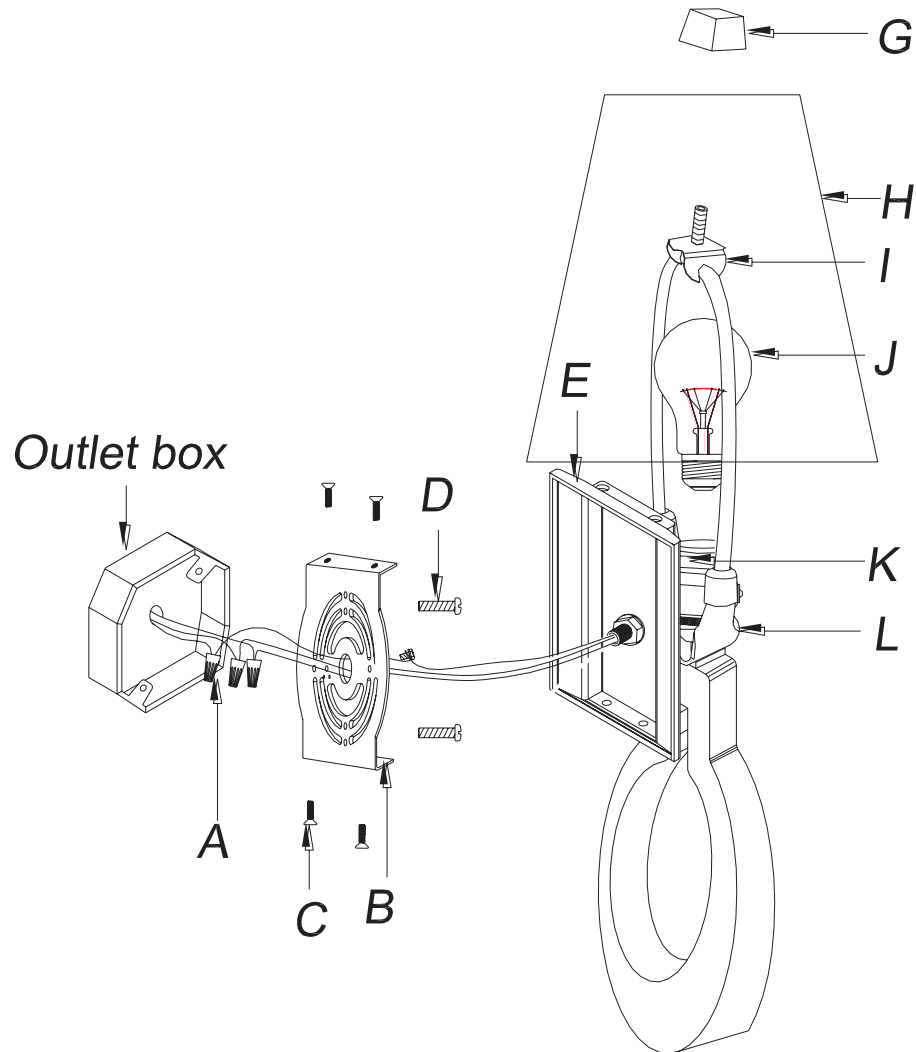


ASSEMBLY INSTRUCTIONS



Large Ring Wall Sconce

Item # CHD2970

WE RECOMMEND INSTALLATION OF THIS LIGHTING FIXTURE BE DONE BY A LICENSED ELECTRICIAN.

WARNING * SWITCH OFF THE MAIN ELECTRICAL SUPPLY FROM THE MAIN FUSE BOX/CIRCUIT BREAKER BEFORE INSTALLATION.**

INSPECT ITEM CAREFULLY BEFORE ATTEMPTING TO INSTALL. IF THERE IS ANY DAMAGE OR OBVIOUS DEFECT, DO NOT INSTALL.

ITEM MAY NOT BE RETURNED ONCE IT HAS BEEN INSTALLED.

1. Carefully remove the mounting plate (B) from the back plate (E) by removing side screws(C).
2. Secure the mounting plate (B) to the outlet box in your wall using the two mounting screws (D).
3. Attach the ground wire from the fixture to the ground wire from the building using the provided wire nuts (A). If your house has no ground wire attach this wire to the green grounding screw inside the outlet box. IT IS IMPERATIVE THAT THIS FIXTURE BE GROUNDED.
4. Attach the common wire (ribbed, no words) from the fixture to the white wire from the building using the provided wire nuts (A).
5. Attach the hot wire (smooth, with words) from the fixture to the black wire from the building with the provided wire nuts (A).
6. Secure each connection by tightening and then checking that no wires can be pulled out. IT IS IMPERATIVE THAT YOU NOT MIX THESE WIRES.
7. Secure back plate (E) to mounting plate (B) with flat head screws (D).
8. Thread cord cover (F) into the hole on the bottom of back plate (E).
9. Attach harp (I) to harp saddle (L).
10. Attach shade (H) (not include) to harp (I) and secure with finial (G).
11. Install lamp bulb (J) (not included) into socket.
12. Restore power and enjoy your new fixture.