

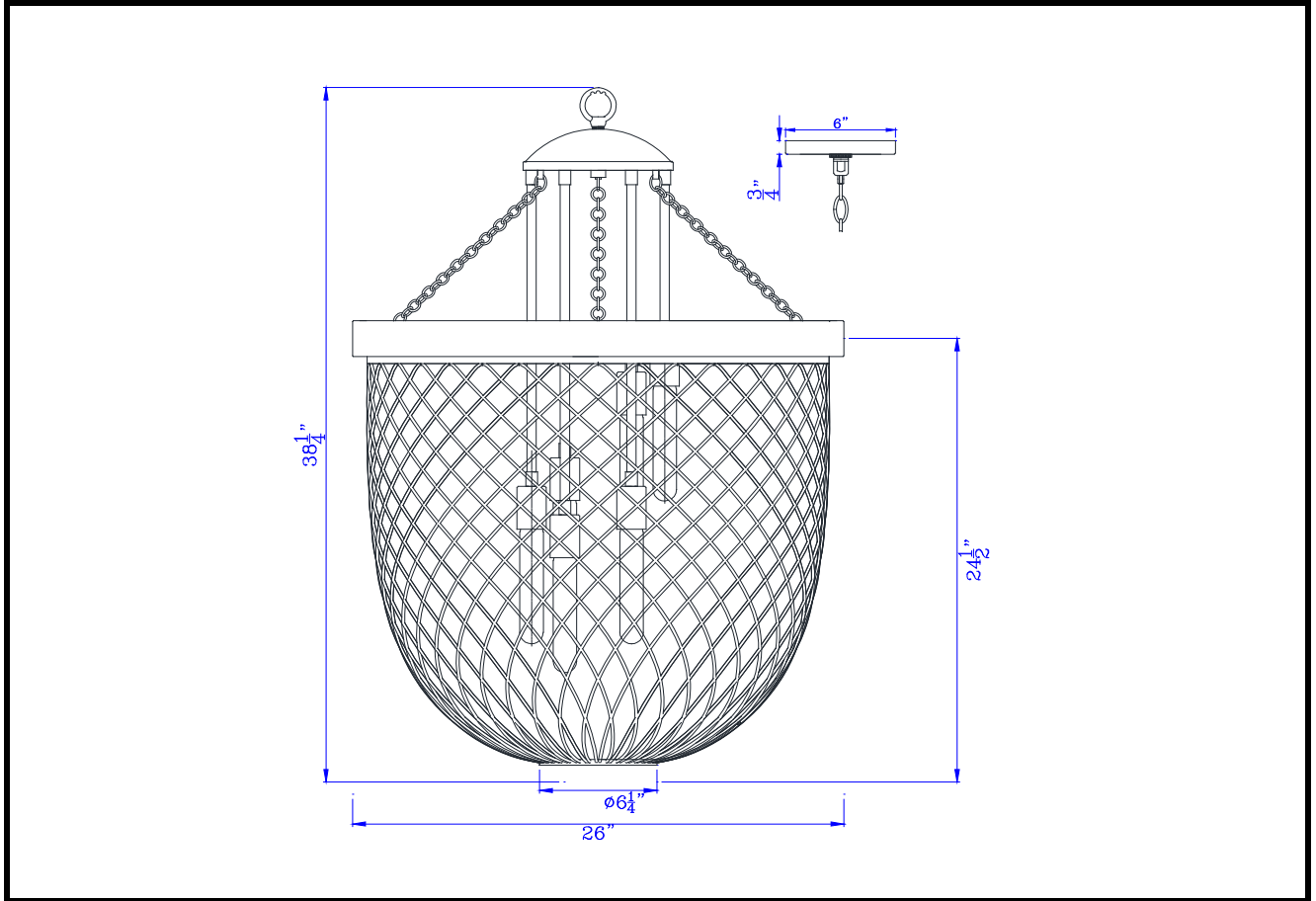


CAL LIGHTING

3625 E. Philadelphia St. Ontario CA. 91761 • Tel: 909.947.5200 • Fax:
909.947.5673 • www.calighting.com • service@calighting.com •
Specifications subject to change without notice

Type: _____
Project: _____
Catalog No.: _____
Lamp/Wattage: _____

Drawing:



Model No: FX-3718-6
Description: Marion metal/wood mesh shade chandelier (Edison bulbs NOT included)
Material: Metal/Painting Wood
Finish : Bronze/Wood
Height: 38 1/4"
Width: 26"
Reach: 26"
Wattage : 60Wx6
Socket : Medium Base (E26)
Bulb: Incandescent or CFL
Chain Length: 6'
Wire Length: 10'
Wire Color: Black
Shade No:
Material:
Shade size:
Certificate : 