



CAL LIGHTING

3625 E. Philadelphia St. Ontario CA. 91761 • Tel: 909.947.5200 • Fax:
909.947.5673 • www.calighting.com • service@calighting.com • Specifications
subject to change without notice

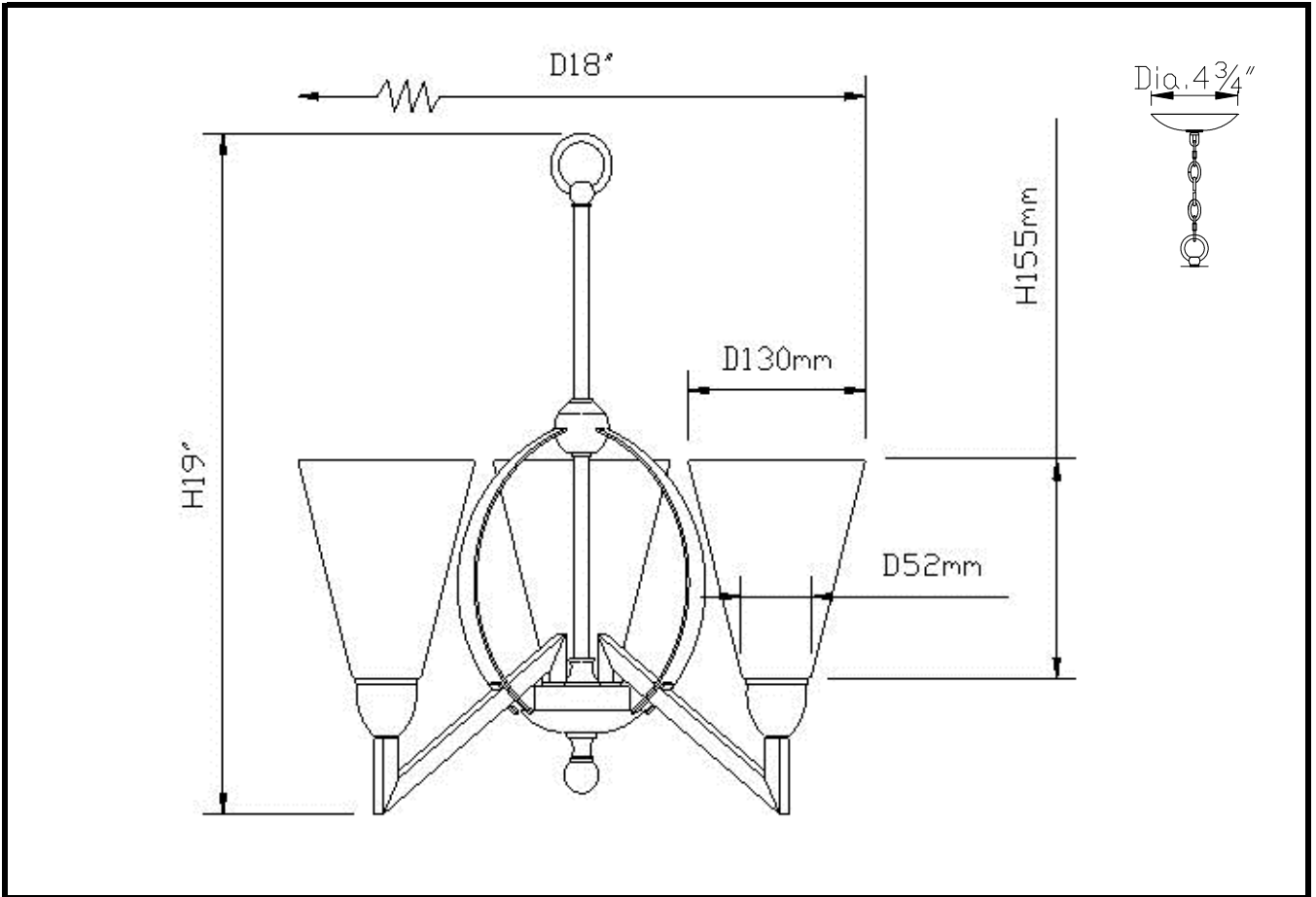
Type: _____


Project: _____

Catalog No.: _____

Lamp/Wattage: _____

Drawing:



- Model No:** FX-3508/3
Description: Canroe Metal 3 Light Chandelier With Glass Shades
Material: Metal
Finish : Brushed Steel
Height: 19"
Width: 18"
Wattage : 60W x 3
Socket : Candelabra Base (E12)
Bulb: Incandescent
Chain Length: 6'
Wire Length: 10'
Wire Color: Clear Silver
Shade No:
Material: Glass
Shade size: Dia.5"xH6"
Certificate : c  US