



# CAL LIGHTING

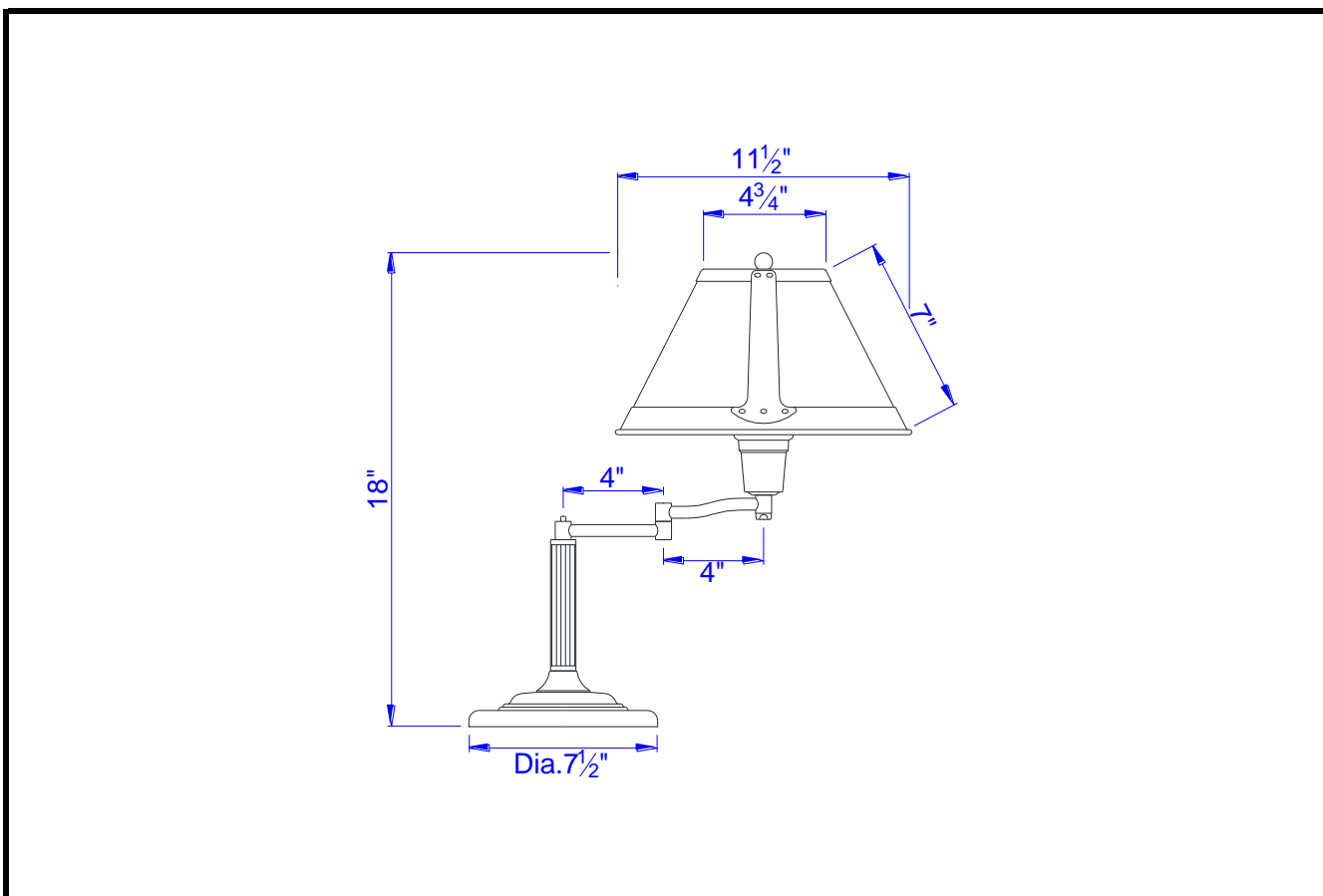
3625 E. Philadelphia St. Ontario CA. 91761 • Tel: 909.947.5200 • Fax:  
909.947.5673 • www.calighting.com • service@calighting.com •  
Specifications subject to change without notice

Type: \_\_\_\_\_

Project: \_\_\_\_\_

Catalog No.: \_\_\_\_\_

Lamp/Wattage: \_\_\_\_\_



- Model No:** BO-462  
**Description:** Swing Arm Table Lamp with Mica Shade  
**Material:** Mica/Metal  
**Finish :** Rust  
**Height:** 18"  
**Base Width:** Dia.7 1/2"  
**Wattage :** 60W  
**Socket :** Medium Base (E27)  
**Switch:** On/off  
**Bulb:** Incandescent, CFL  
**Wire Length:** 6'  
**Wire Color:** Brown  
**Shade No:**  
**Material:** Mica  
**Shade size:** 4 3/4"x11 1/2"x7 1/4"  
**Certificate :** 