

PORTICO

3068GG

6 LIGHT OPEN FRAME LINEAR

The Portico pendant highlights the medallion, a classic design element, by fusing this antique pattern with on-trend mixed metal finishes in Glacial and Metallic Matte Bronze to reveal a modern symmetry. Delicate crystal candle cups, an elegantly tapered center column and two-tone canopy ensure refined details emanate throughout Portico's sophisticated design.

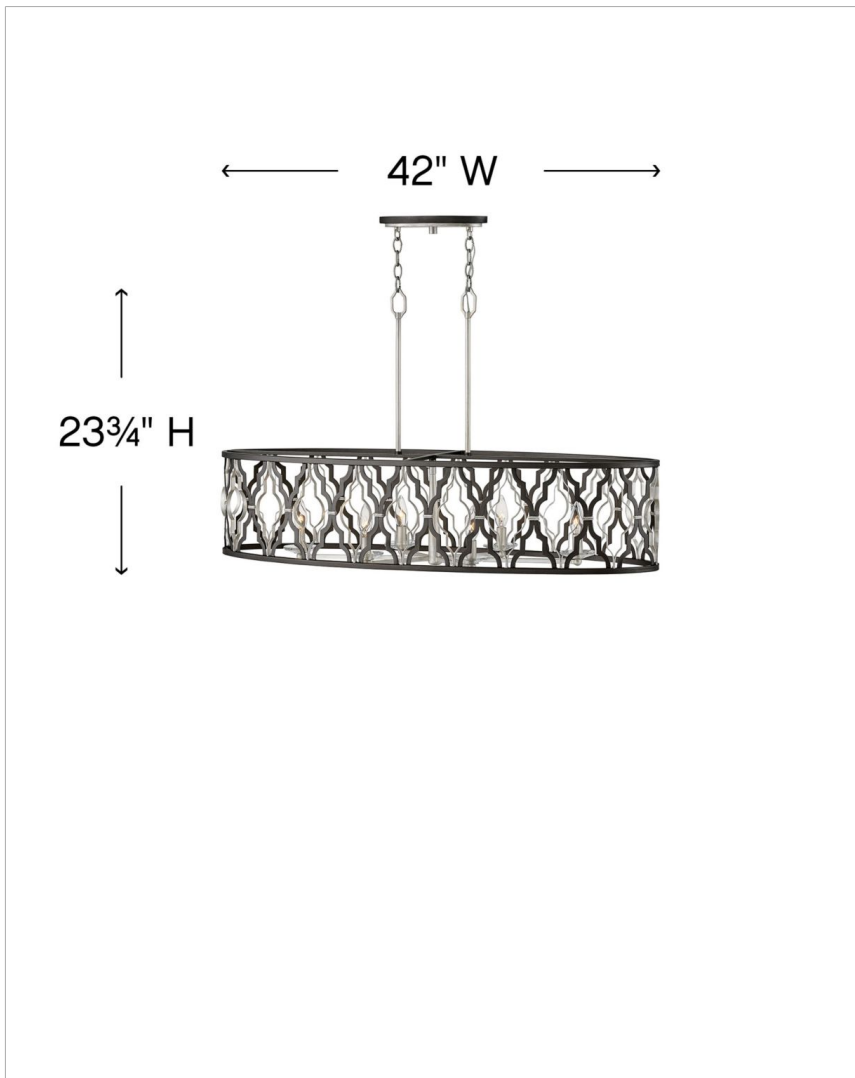
DETAILS	
FINISH:	Glacial
MATERIAL:	Steel
DIMMABLE:	YES, WITH DIMMABLE LAMP (NOT INCLUDED)

DIMENSIONS	
WIDTH:	42"
HEIGHT:	23.8"
DEPTH:	14.5
WEIGHT:	12.1lb

LIGHT SOURCE	
LIGHT SOURCE:	Socketed
WATTAGE:	6-5w Cand. LED, 60w Equiv.
VOLTAGE:	120v

MOUNTING	
CANOPY:	5"W X 10"L
LEAD WIRE:	1 X 144"

SHIPPING	
CARTON LENGTH:	46
CARTON WIDTH:	19
CARTON HEIGHT:	14
CARTON WEIGHT:	21.6



PRODUCT DETAILS:

- Suitable for use in dry (indoor) locations as defined by NEC and CEC. Meets United States UL Underwriters Laboratories & CSA Canadian Standards Association Product Safety Standards.
- Fixture is oval in shape
- Merging the best of traditional and modern elements with a sophisticated and streamlined look