



CAL LIGHTING

3625 E. Philadelphia St. Ontario CA. 91761 • Tel: 909.947.5200 • Fax:
909.947.5673 • www.calighting.com • service@calighting.com •
Specifications subject to change without notice

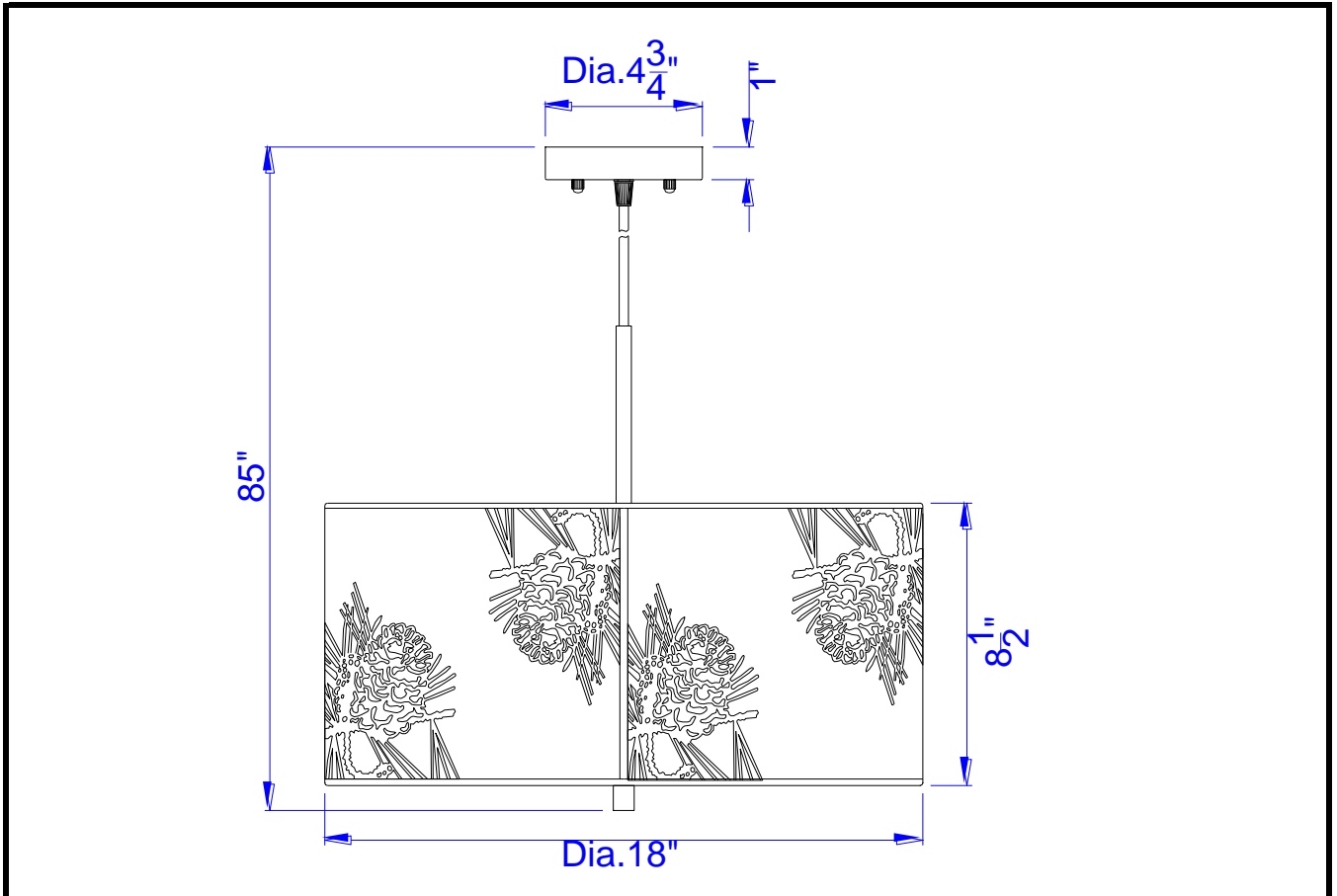
Type: _____

Project: _____

Catalog No.: _____

Lamp/Wattage: _____

Drawing:



- Model No:** FX-3615-1P
- Description:** 60W x 3 Mica pine cone pendant fixture
- Material:** Metal
- Finish :** Dark Bronze
- Height:** 8 1/2"
- Width:** Dia.18"
- Wattage :** 60Wx3
- Socket :** Medium Base (E26)
- Bulb:** Incandescent, CFL
- Chain Length:**
- Wire Length:** 6'
- Wire Color:** Black
- Shade No:**
- Material:** Mica
- Shade size:** 18"x18"x8 1/2"

Certificate :

