



CAL LIGHTING

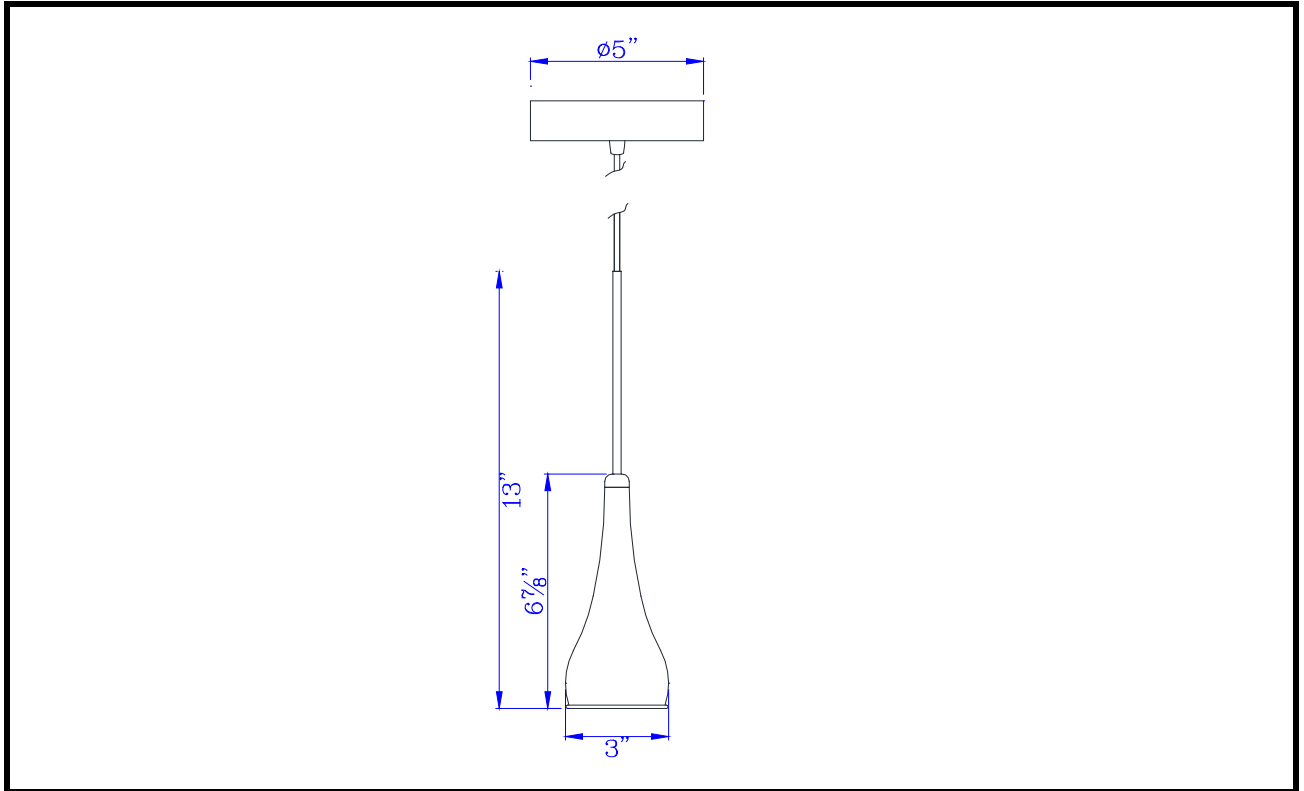
3625 E. Philadelphia St. Ontario CA. 91761 • Tel: 909.947.5200 • Fax:
909.947.5673 • www.calighting.com • service@calighting.com •
Specifications subject to change without notice

Type: _____

Project: _____

Catalog No.: _____

Lamp/Wattage: _____



- Model No. :** UP-1117
- Description:** Kornos intergrated LED 10W, 800 lumen, 80 CRI dimmable metal pendant fixture
- Material:** Metal
- Finish :** Brushed Steel
- Cord :** 6'
- Cord Finish :** Clear
- Shade Finish:** Brushed Steel
- Material :** Metal
- Voltage :** 120V
- Dimming:** Dimmable
- Wattage** 10W
- Lumen** 800
- Kelvin** 3300K
- Beam Angle:** 60
- CRI** 80
- Rated Life:** 30,000 Hours
- Warranty:** Three Years

Certificate :

