

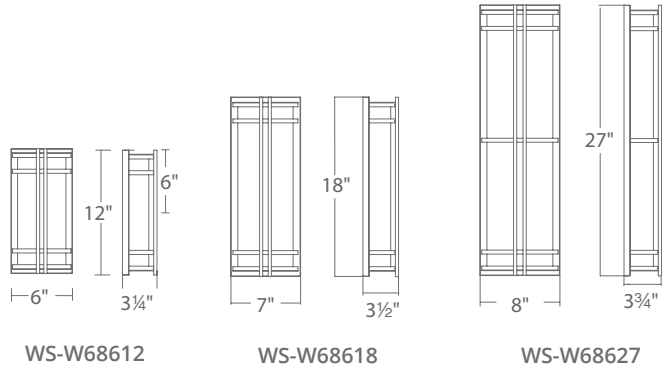


**Fixture Type:** \_\_\_\_\_

**Catalog Number:** \_\_\_\_\_

**Project:** \_\_\_\_\_

**Location:** \_\_\_\_\_



**PRODUCT DESCRIPTION**

Elevate your space. A classic architectural design thoughtfully engineered for robustness to withstand commercial use for interiors or exteriors. A UV stabilized acrylic diffuser and marine grade stainless steel structure complete this specification-grade wall mount luminaire. Available in either black, bronze or stainless steel finish.

**SPECIFICATIONS**

**Construction:** Aluminum

**Light Source:** High output LED

**Finish:** Black (BK), Bronze (BZ), Stainless Steel (SS)

**Standards:** ETL & cETL Wet Location listed, IP65, CEC Title 24 Compliant, ADA Compliant

**FEATURES**

- F1-rated acrylic
- Weather-resistant powder coat
- SS - 316 marine-grade stainless steel or bronze-finished aluminum (BZ & BK - Aluminum construction)
- No transformer or driver needed
- 277V options available
- Dimmer: ELV
- Rated Life: 80,000 hours
- Color temp: 3000K
- 2700K and 3500K special order
- CRI:90

**ORDER NUMBER**

Model	Height	Wattage	Voltage	LED Lumens	Delivered Lumens	Finish
WS-W68612	12"	12W		605	418	BK <i>Black</i>
WS-W68618	18"	19W	120V	1098	741	BZ <i>Bronze</i>
WS-W68627	27"	24W		1272	880	SS <i>Stainless Steel</i>

Example: WS-W68612-BZ

For 277V special order, add an "F" before the finish: WS-W68612F-BZ

For 2700K add "-27"; 3500K add "-35" before the finish: WS-W68618-35-SS

modernforms.com  
 Phone (866) 810.6615  
 Fax (800) 526.2585

Headquarters/Eastern Distribution Center  
 44 Harbor Park Drive  
 Port Washington, NY 11050

Central Distribution Center  
 1600 Distribution Ct  
 Lithia Springs, GA 30122

Western Distribution Center  
 1750 Archibald Avenue  
 Ontario, CA 91760