



CAL LIGHTING

3625 E. Philadelphia St. Ontario CA. 91761 • Tel: 909.947.5200 • Fax:
909.947.5673 • www.calighting.com • service@calighting.com •
Specifications subject to change without notice

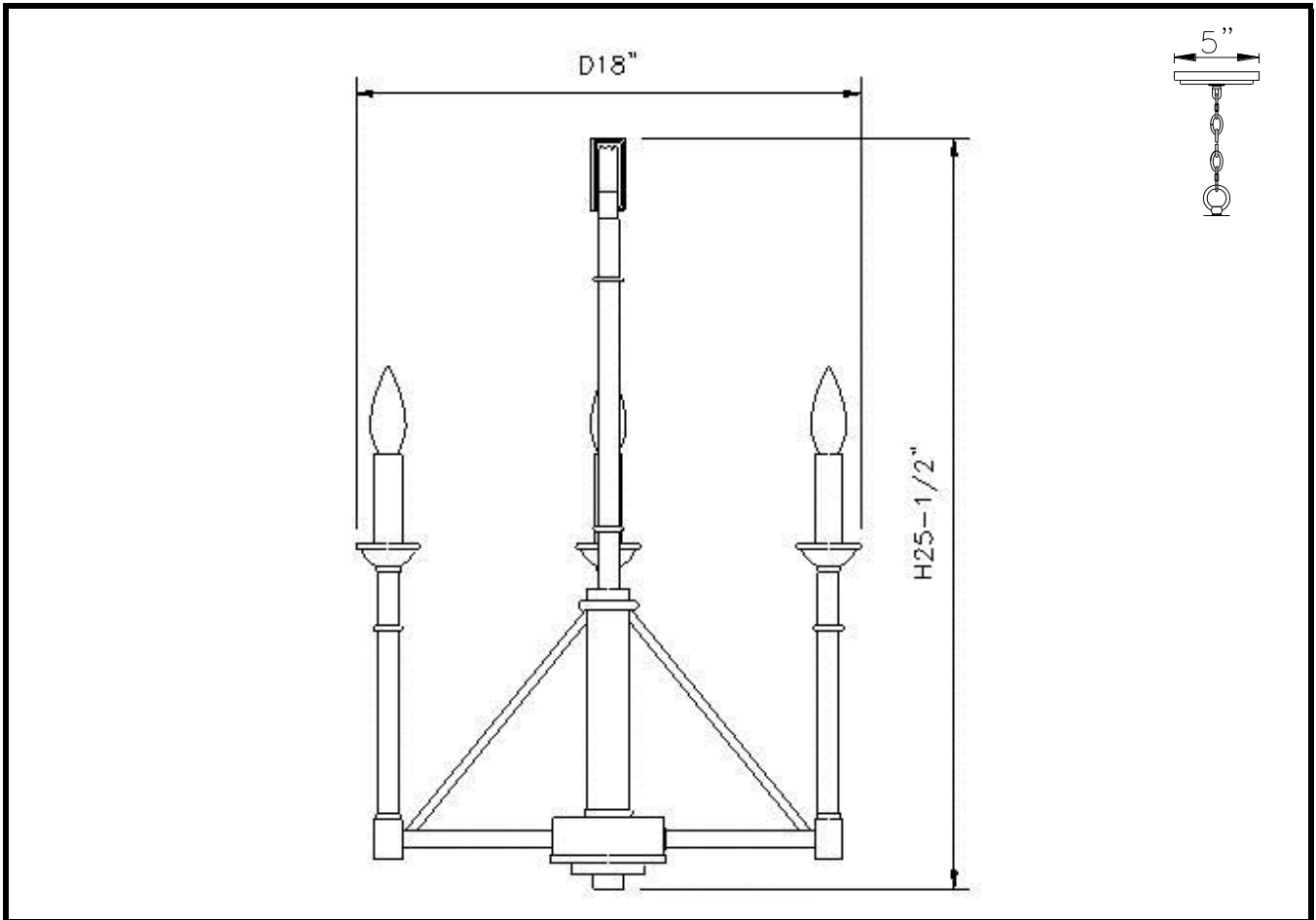
Type: _____

Project: _____

Catalog No.: _____

Lamp/Wattage: _____

Drawing:



- Model No:** FX-3516/3
- Description:** 60W x 3 Monclova Metal 3 Light Chandelier
- Material:** Metal
- Finish :** Industrial Bronze
- Height:** 25-1/2"
- Width:** 18"
- Wattage :** 60W x 3
- Socket :** Candelabra Base (E12)
- Bulb:** Incandescent
- Chain Length:** 6'
- Wire Length:** 10'
- Wire Color:** Black
- Shade No:** None
- Material:** None
- Shade size:** None
- Certificate :**