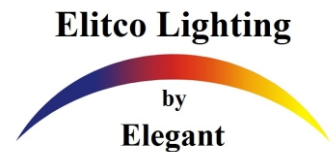


Elitco Lighting

Headquarter: 500-550 E. Erie Avenue Philadelphia, PA 19134
Toll-Free:1-888-388-3390 Tel:(215)423-8880 Fax:(215)423-8882



INSTALLATION INSTRUCTIONS

MODEL: P806

READ THIS FIRST

KEEP THIS INSTRUCTIONS

Please read this instruction carefully. Luminaires must be installed in accordance with the National Electrical Code (NEC) and local codes. Failure to do so will void the warranty and may result in serious injury and/or damage to the luminaire.

SAFETY WARNING: Luminaire can become very hot depending on lamp wattage used. Lens and metal around lamp can become hot enough to blister hands. Particular care should be taken not to locate luminaires where small children can reach them if high wattage lamps are used.

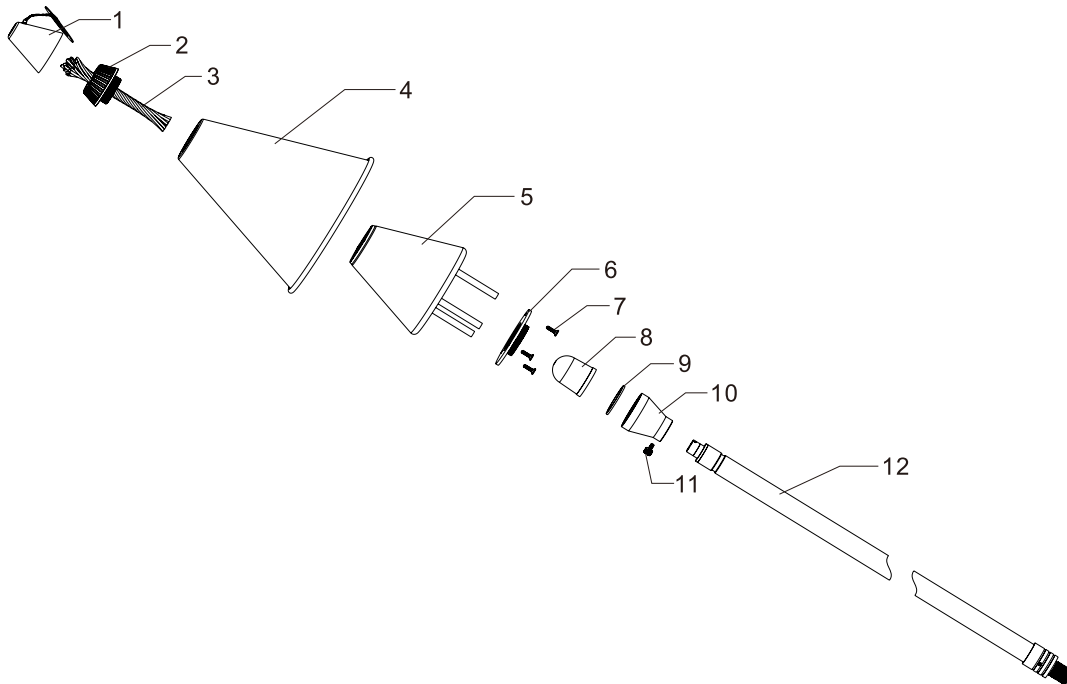
NOTE: LUMINAIRES ARE NOT TO BE INSTALLED WITHIN 10 FT. (3.05M) OF A POOL OR SPA. SECONDARY CABLE IS NOT TO BE BURIED MORE THAN 6". WHEN USING MULTIPLE LUMINAIRES, LOAD IS NOT TO EXCEED THE TOTAL WATTS OF TRANSFORMER RATING. DO NOT USE EXTENSION CORDS ON POWER UNITS.

NOTE: Always use UL recognized wire connectors for connections. LUMINAIRE IS FOR ABOVE GROUND INSTALLATION ONLY.

ASSEMBLY AND INSTALLATION

1. Determine desired location for mounting Luminaires.
2. At desired location, hammer the spike into ground. To avoid damage to spike, place a board on the top of the spike while hammering. If ground is hard and spike is difficult to install, make a crosscut in ground using a flat shovel.
3. Clear away area in ground at wireway slot in top of spike.
4. Lay 12V cable into wireway slot and screw luminaire in to spike.
Aim luminaire in desired direction.
5. Expose the socket by loosening the shade connector from stem. Install the G4 lamp into the socket. Re-install shade connector back to stem.
6. **TURN OFF POWER.**
7. Make wire connections using approved wiring connection method (not supplied).

FIXTURE DETAILS:



1. Washer with the top shade 2. Lid 3. Wick 4. Bottom shade 5. Fuel can 6. Ring holder
7. Screw 8. Glass dome 9. Gasket 10. Cone 11. Set screw 12. Stem with socket

IMPORTANT SAFETY INSTRUCTIONS

THE LIGHTED LAMP IS HOT!!

WARNING: TO REDUCE THE RISK OF FIRE, OR INJURY TO PERSONS:

1. Turn off/unplug and allow to cool before replacing lamp.
2. Lamps get hot quickly! Contact only switch/plug when turning on.
3. Do not touch hot lens, guard or enclosure.
4. Keep lamp away from material that may burn.
5. Do not touch the lamp at any time. Use a soft cloth. Oil from the skin may damage lamp.
6. Do not operate luminaire fitting with a missing or damaged cover.

LAMP INSTALLATION/REPLACEMENT:

CAUTION: Do not exceed maximum wattage marked on luminaire label.

1. To prevent electrical shock, disconnect transformer from electrical supply before service.
2. Unscrew the shade connector to expose the socket.
3. Replace lamp with correct wattage and type marked on fixture label.
4. Re-install the shade connector back to the Cone.

NOTE: DO NOT touch lamp with bare hands. Always use soft cloth or the plastic wrapping (if available) from lamp to handle the lamp. Halogen lamps must be protected from moisture and dust at all times.

HOW TO FILL THE FUEL

IMPORTANT: Only use citronella or other approved fuels in unit.

1. Unscrew the lid(#2) and remove the top shade(#1) and bottom shade(#4) from the fuel can.
2. Pour fuel in the fixture's fuel can.
3. Replace bottom shade (#4) and washer to the fuel can, screw the lid tightly before lighting.
4. Light fuel at wick(#3).
5. After extinguishing flame, let cool and then put on top shade.