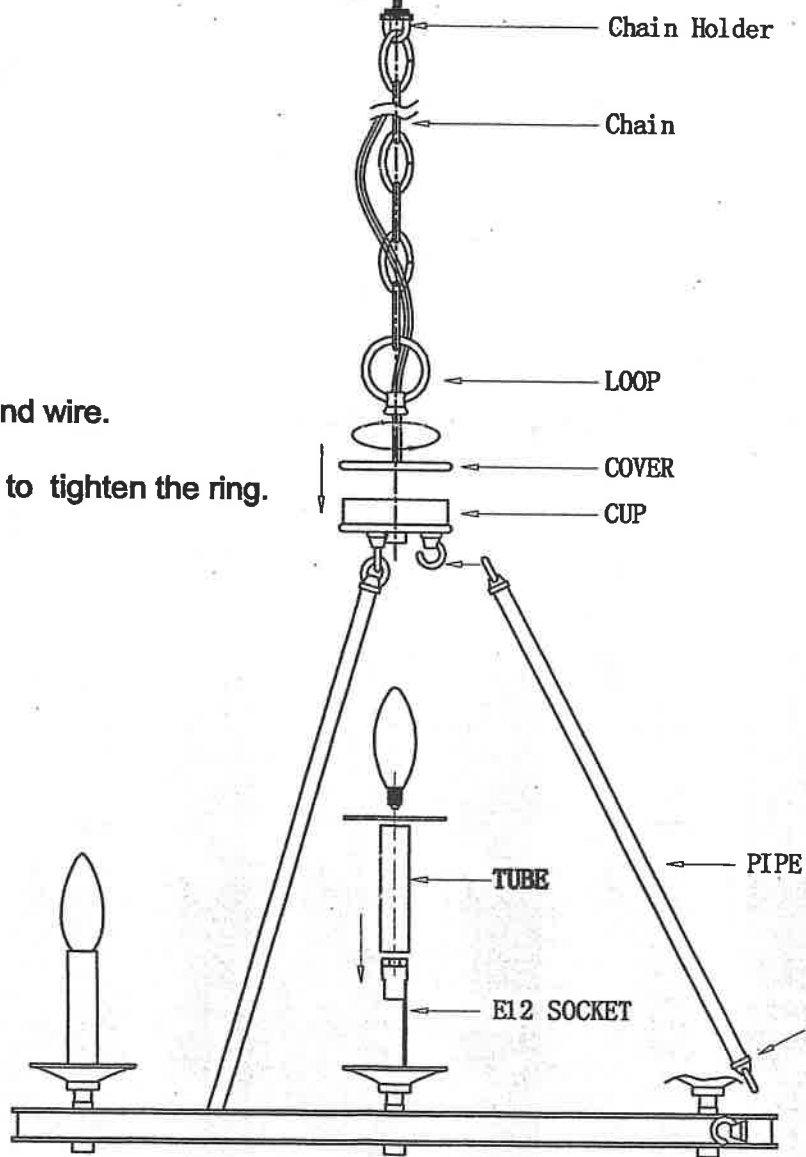


a. Pulling wire and ground wire.

b. Closing the flat cover to tighten the ring.



1-307-6  
 1-308-8  
 1-310-10