

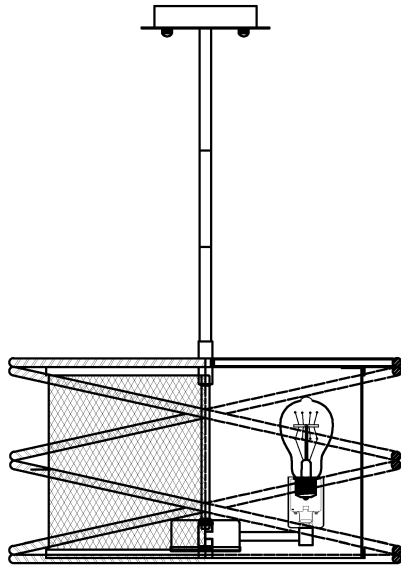
Trade Mark:
CRYSTAL WORLD INC

Product Name: Pendant lamp


Model :9700P18-3

120Vac, 60Hz,AC ONLY

Lamp Size:D18"*H10"



PENDANT LAMP ASSEMBLY INSTRUCTIONS

1. Please fix part(A) with part(B),part(C) with part(B).
2. Install bulbs (NOT INCLUDED).USE **120V E26**  **3*40W Max.**

