



CAL LIGHTING

3625 E. Philadelphia St. Ontario CA. 91761 • Tel: 909.947.5200 • Fax:
909.947.5673 • www.calighting.com • service@calighting.com •
Specifications subject to change without notice

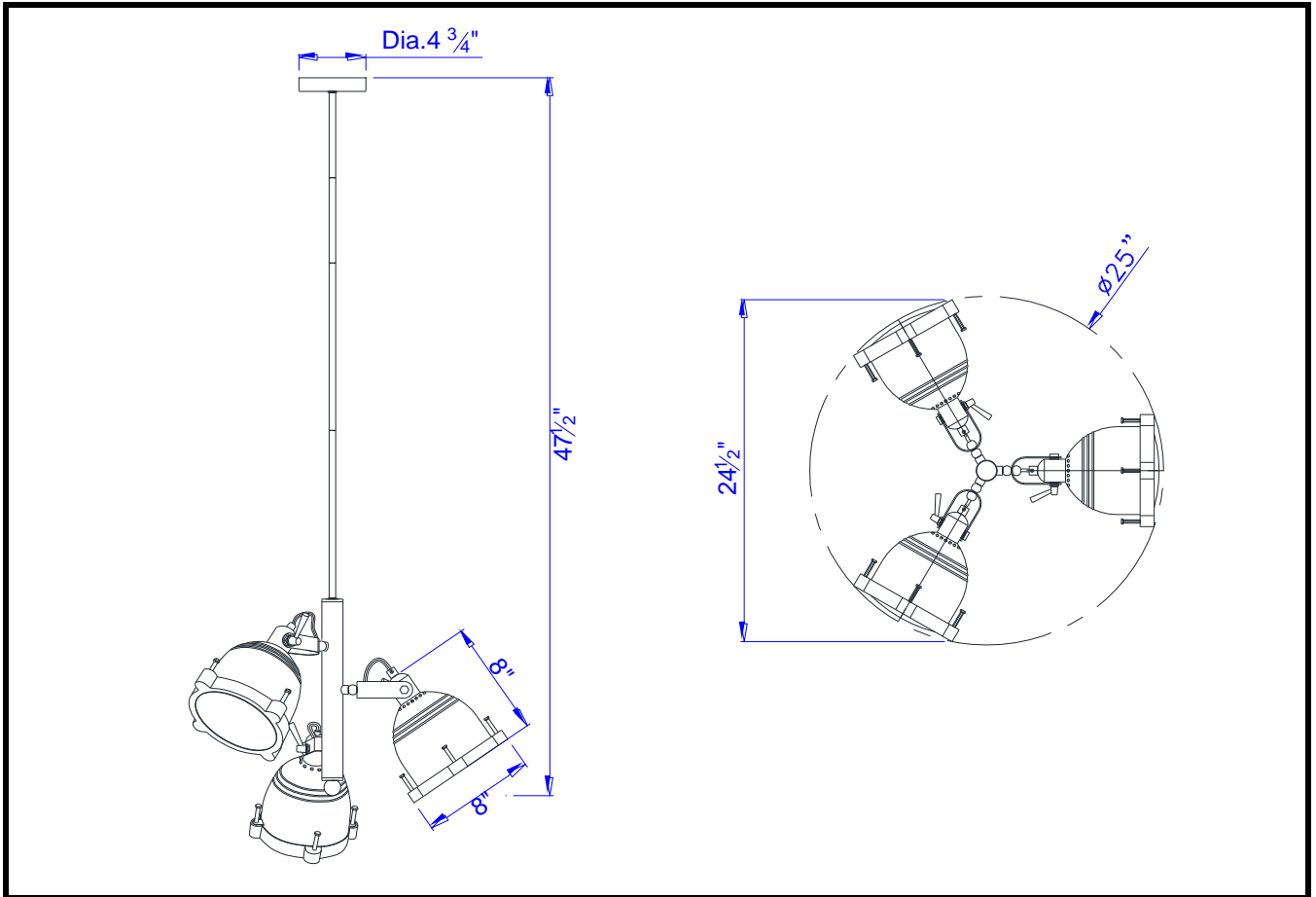
Type: _____

Project: _____

Catalog No.: _____

Lamp/Wattage: _____

Drawing:



- Model No:** FX-2688-3
- Description:** 60W x 3 Hubble 3 light chandelier
- Material:** Metal
- Finish :** CH (Chrome)
- Height:** 47 1/2"
- Width:** 24 1/2"
- Wattage :** 60Wx3
- Socket :** Medium Base (E26)
- Bulb:** Incandescent,CFL
- Chain Length:**
- Wire Length:**
- Wire Color:** Silver
- Shade No:**
- Material:** Metal
- Shade size:** Dia.8"
- Certificate :**

