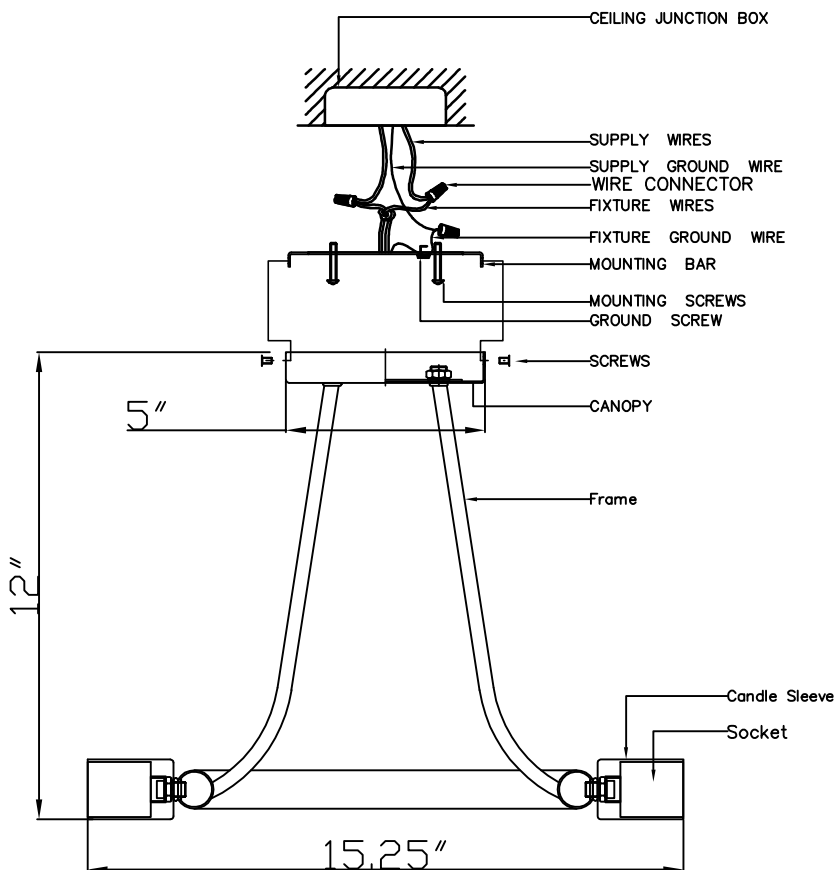


CRYSTORAMA

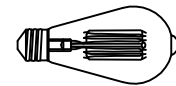
LIGHTING THE WAY FOR SIXTY YEARS

ASSEMBLY INSTRUCTION MODEL #9043-CZ

Drawing (1)



All electrical components must be installed by a licensed electrician in accordance with the National Electric Code and the appropriate local electrical codes.



You will need 8 - Med.Bulb
40 Watts Recommended
60 Watts Max

USE LED BULBS FOR EXTENDED USE
California T24 JA8-2016 Qualified: Satco (S9612); 10.5 watt LED Medium Base recommended. Bulb not included
This fixture is DAMP rated

How to Install

1. The canopy of the fixture can be mounted to the ceiling by following instruction Drawing (1).



WARNING: This product can expose you to Lead, which is known to the State of California to cause cancer and/or birth defects or reproductive harm. For more information go to www.P65Warnings.ca.gov

CRYSTORAMA

LIGHTING THE WAY FOR SIXTY YEARS

PART NUMBER MODEL #9043-CZ

Part Number

Part Numbers

- A. (1)–Mounting hardware
- B. (2)–Screws
- C. (1)–Canopy; W5"XH2.25" ;XSU9043CZCAN5IN
- D. (1)–Frame
- E. (8)–Candle Sleeve; $\phi 0.75$ "X2";XSU9043CZCDL2IN
- F. (8)–Socket

