



CAL LIGHTING

3625 E. Philadelphia St. Ontario CA. 91761 • Tel: 909.947.5200 • Fax:
909.947.5673 • www.calighting.com • service@calighting.com •
Specifications subject to change without notice

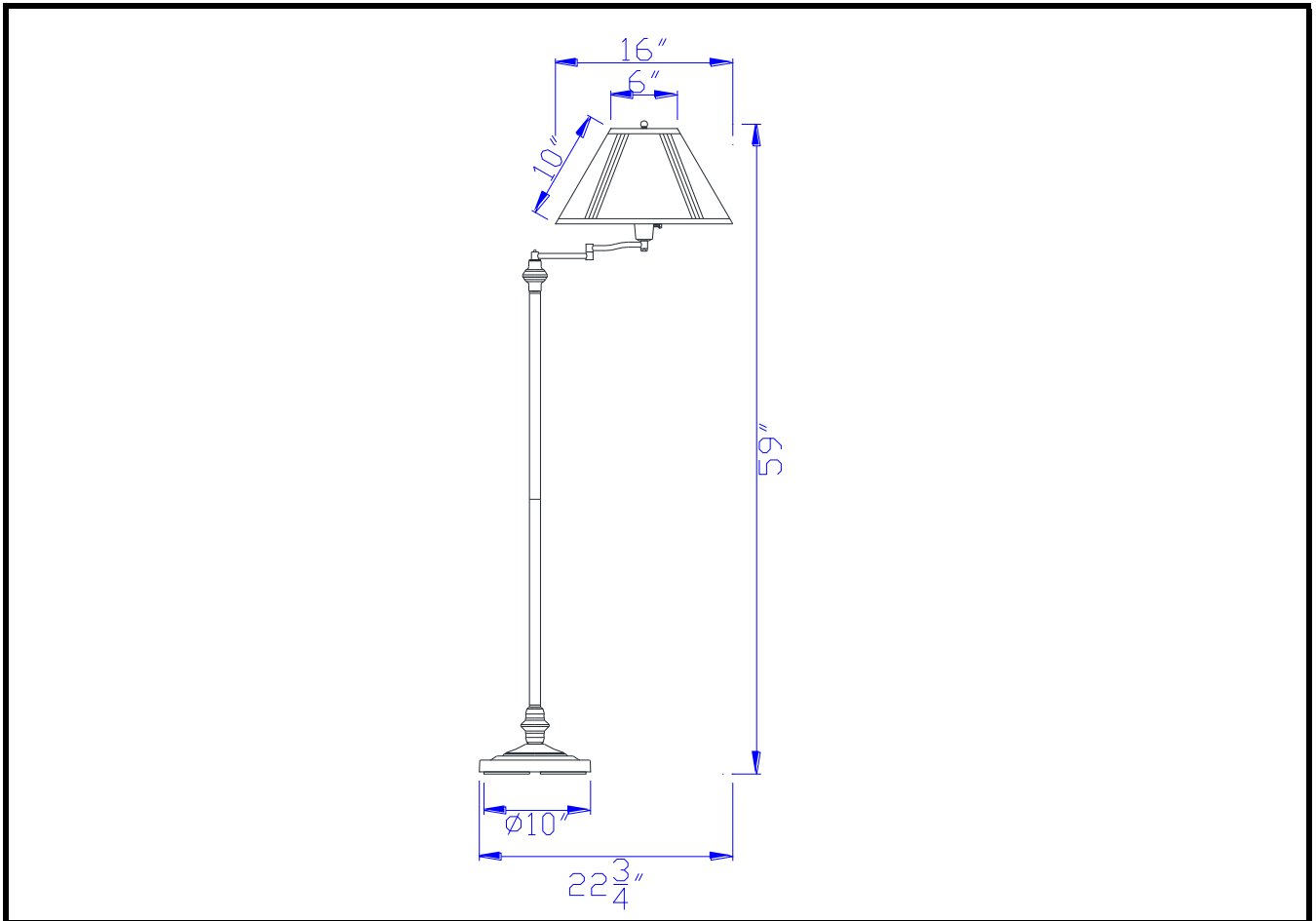
Type: _____

Project: _____

Catalog No.: _____

Lamp/Wattage: _____

Drawing:



Model No: BO-314
Description: Transitional Swing Arm Floor Lamp
Material: Metal
Finish : DB (Dark Bronze)
Height: 59"
Base Width: 10"
Wattage : 150W + 60W x3
Socket : Medium Base (E27)
Switch: 6 way
Bulb: Incandescent, CFL
Wire Length: 6'
Wire Color: Gold
Shade No: SH-2003-OW
Material: Hardback Linen
Shade size: 6"X16"X10"

Certificate :

