



CAL LIGHTING

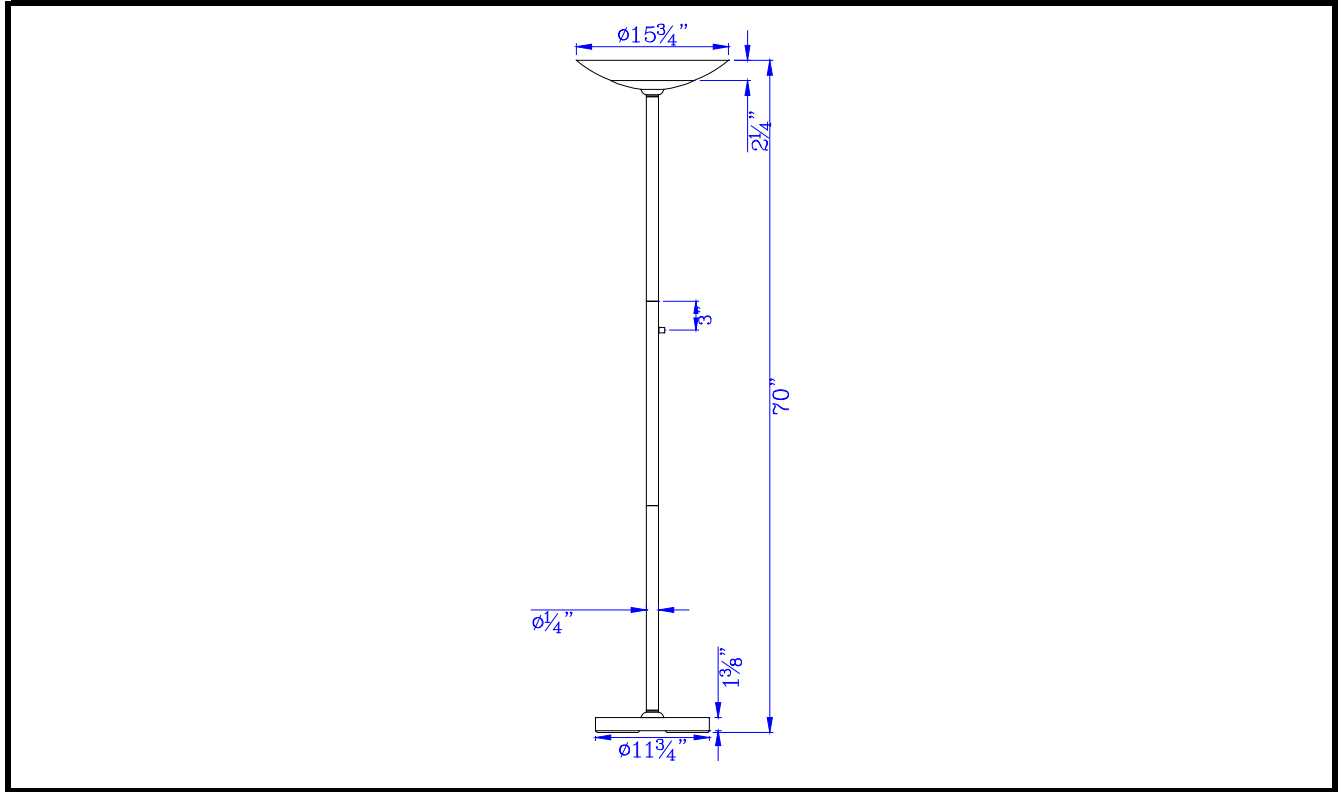
3625 E. Philadelphia St. Ontario CA. 91761 • Tel: 909.947.5200 • Fax:
909.947.5673 • www.calighting.com • service@calighting.com •
Specifications subject to change without notice

Type: _____

Project: _____

Catalog No.: _____

Lamp/Wattage: _____



- Model No:** BO-2845TR-DB
- Description:** Veria Metal LED 36W, 2500 Lumen torchiere with pole dimmer switch
- Material:** Metal
- Finish :** Dark Bronze
- Height:** 70"
- Reach/Depth:** 15 3/4"
- Base Width:** Dia.11 3/4"
- Wattage :** 36W
- Socket :** LED
- Switch:** ON/OFF Dimmer
- Lumen:** 2500LM
- Kelvin:** 3000K
- CRI:** 80
- Dimming:** Dimmable
- Wire Length:** 6'
- Wire Color:** Black
- Shade No:**
- Material:** Glass
- Shade size:** Dia.15 3/4"xH 2 1/4"
- Warranty:** Three Years

Certificate :

