

**Cubix**<sup>™</sup>

**24Z0001K**

Small Pendant

## Cubix™ Product Information and Warnings

### Important

- **Always disconnect the power before installing or replacing Luminaires and before cleaning or other maintenance.**
- **Consult a qualified, licensed electrician to ensure correct branch circuit conductor.**
- ***Consulter un électricien qualifié pour vous assurer que les conducteurs de la dérivation sont adéquats.***
- Please read all included assembly instructions and warnings carefully before installation. Contact Customer Service if you have any questions or concerns. Before installation, please confirm that the fixture is compatible with your supply voltage and dimming system, if present.
- LEDs are highly sensitive electronic devices, and must be treated with care. Do not open any factory sealed compartments, and avoid touching the LEDs with your hands or any object.
- Although all our fixtures are equipped with protective devices, LED electronic systems are vulnerable to power surges and supply variations. Do not install LED fixtures on the same circuit as any motors, appliances, or HVAC systems.
- Remote LED Driver installation must be done by a licensed electrician and in accordance with local building and electrical codes. Remote installations should be in an accessible location, as close to the fixture as possible. The appropriate wire gauge must be used to limit the voltage drop to avoid overloading the LED Driver.
- Any mounting hardware is provided for your convenience and should be used with discretion. Always use the appropriate hardware for the mounting surface.
- All factory-made splices and connections must remain intact. LED circuits are carefully designed and built, and improper connections may damage the fixture.
- The ends of coaxial pendant cords have been precisely stripped and split at the factory and must not be field cut. Excess cord or cable should be neatly coiled and reserved in the fixture canopy.
- Cubix™ LED Drivers are 24VDC Constant Voltage output.
- Cubix™ is suitable for installation in Damp Locations.

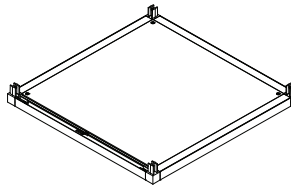
## Welcome to Cubix™

A Cubix configuration is built from a series of cubes with lit panels shining down. The system is made of light panels, arms, and connector pieces, allowing different configurations. The fixture is supported by cable ceiling hangers, and is connected to the ceiling canopy.

## What comes in the box

### Light Panels

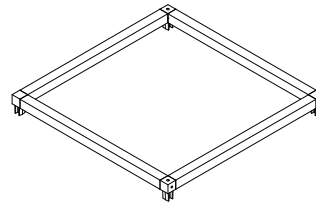
Refer to Appendix C  
for full component breakdown



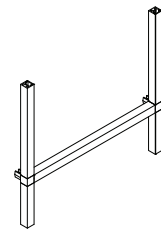
Light Panel  
(24KK1 LPAA-24KK1 LPDA)

### Frames and Arm Frames

Refer to Appendix C  
for full component breakdown

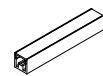


Frames  
(24KK1 HFAA-24KK1 HFDA)

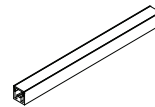


Arm Frames  
(24KK1 VFAA-24KK1 VFBA)

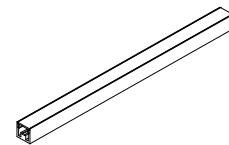
### Arms and Arm Caps



24AK04 (1)

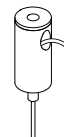


24AK08 (6)

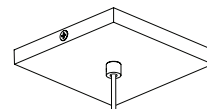


24AK12 (10)

### Hangers and Canopy

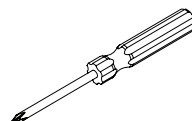


24SKC06 (6)

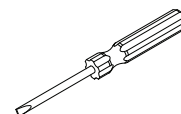


24SKP06 (1)

### Miscellaneous



Phillips Screwdriver (1)



Slotted Screwdriver (1)

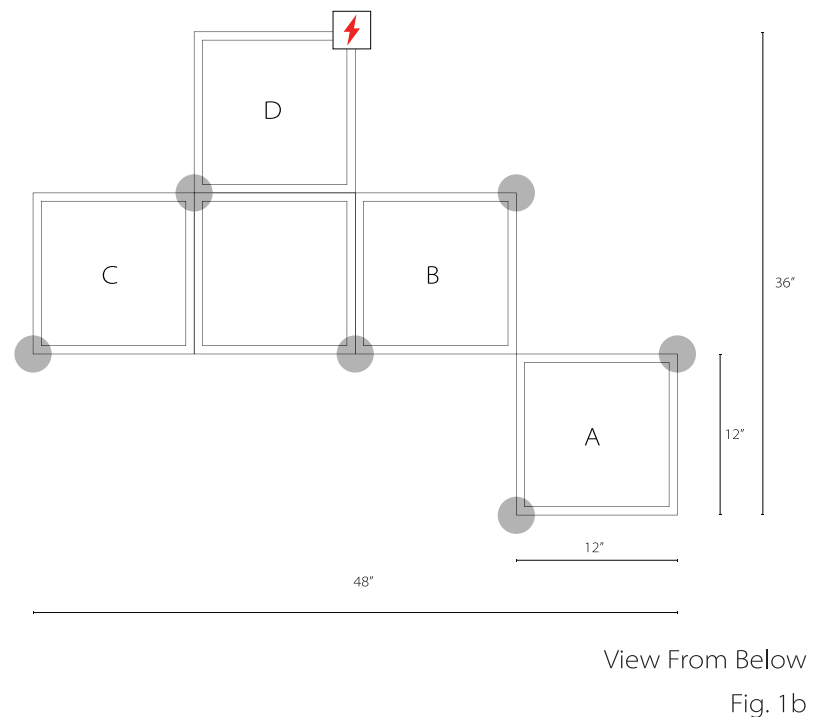
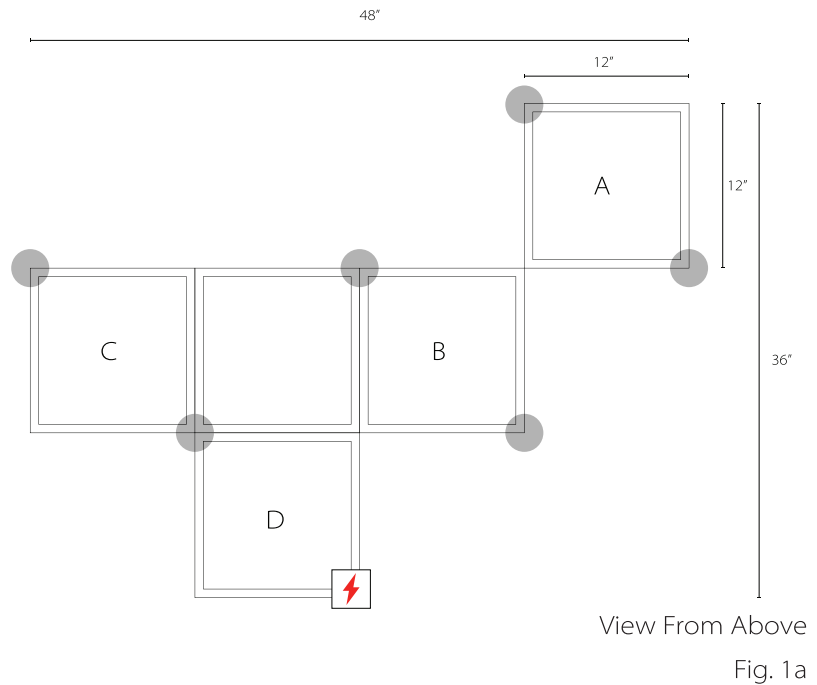
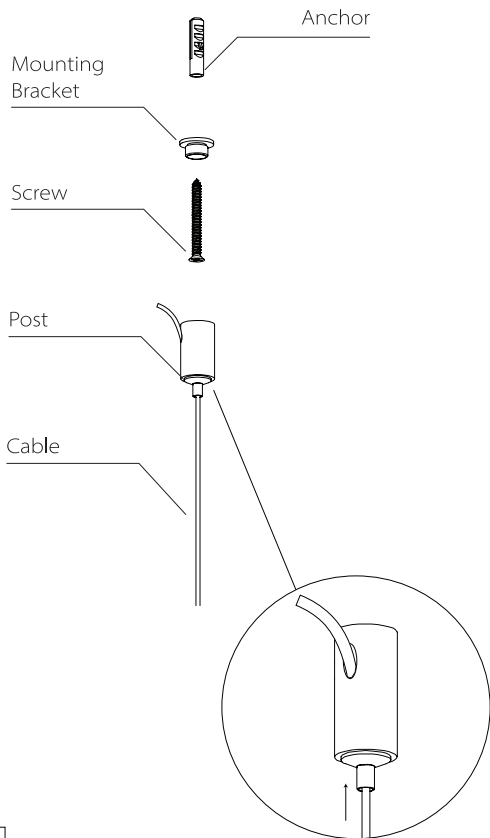


Countersunk Screws (40)

## Installing Cord and Cable drops

Before installing the fixture, follow the diagrams in Fig. 1a and 1b and install the Mounting Plate and Cable Grippers into the ceiling and outlet box.

1. After the suspension drop locations have been determined, install the Mounting Bracket to the ceiling with Anchor (if appropriate) and Screw, then screw the Post onto the Mounting Bracket. **CAUTION: Customer is responsible for ensuring appropriate ceiling construction to support the weight of the fixture.**
2. Insert the Cable into the Post and adjust to the desired length: to shorten, push the cable up; to lengthen, push in the plunger while pulling down on the Cable, release the plunger to lock. Cut off the excess cable where it exits the Post. **CAUTION: Do not cut off excess cable until after the final step when the configuration is fully assembled and leveled.**



## Remote power supply and 24SKP06 installation

### 24SKP06 Installation:

1. Shut off power to the Outlet Box.
2. Install the Power Supply in a remote and accessible location near the fixture in accordance with local electrical code. Make appropriate electrical connections using wire nuts: Connect the Power Supply's live wire (black) to the live supply wire.
  - a. Connect the Power Supply's neutral wire (white) to the neutral supply wire.
  - b. Connect the Power Supply's ground wire (green or uncoated) to the ground supply wire.
  - c. Connect the Power Supply's positive (+) output wire to the required length of red wire (not included) to reach the Outlet Box.
  - d. Connect the Power Supply's negative (-) output wire to the required length of black wire (not included) to reach the Outlet Box.
3. Install Mounting Plate to Outlet Box using Outlet Box Screws.
 

**NOTE: Before proceeding to step 4, complete all installation steps on pages 6 - 12, then return here to complete power feed installation.**
4. Determine height at which the fixture is to be hung, and feed Cord from fixture through Bushing of Canopy. Secure at desired height by tightening the Slotted Set Screw with the included Slotted Screwdriver. Attention: If field-cutting is necessary, follow instructions for Coax Power Cord Splicing in Appendix A.:
  - a. Connect the positive low voltage driver output wire to the positive (inner stranded) fixture wire..
  - b. Connect the negative low voltage driver output wire to the negative (outer braided) fixture wire.
  - c. Connect the canopy's ground wire (green or uncoated) to the ground outlet box wire. If no ground is present in outlet box, connect canopy's ground wire to the mounting plate using the green screw (included).
  - d. Connect the fixture inner conductor to the red driver output wire and connect the fixture outer conductor to the black driver output wire.
  - e. Carefully place connections in Outlet Box.
5. Install the Power Feed to the Mounting Plate and secure with Canopy Screws.
6. Continue with Step 7f of Component Installation on page 12.

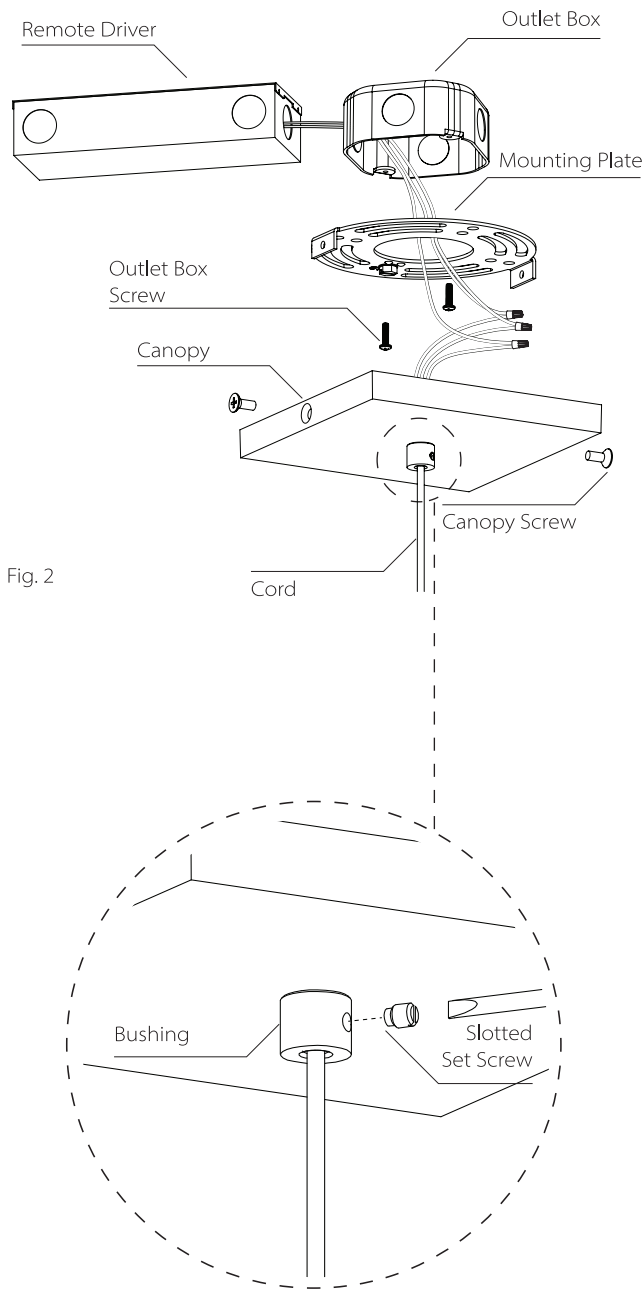


Fig. 2

## Component Installation *Instructions d'installation*

### 1. First section (24KK1LPAA assembly)

1a. Install (3x) 24AK12 and (1x) 24AK08 to 24KK1HFAA using countersunk screws in orientation shown in Fig. 3a and 3b. This is how you will install all countersunk screws with provided Phillips Screwdriver for the rest of the assembly.

**NOTE: Pay close attention to arm orientation, as it will affect wiring in later stages.**

1b. Install 24KK1LPAA to other end of Vertical Arms in orientation shown in Fig. 3a. Install 24AK04 to open corner of 24KK1LPAA.

1c. Install 24SKC06 into hanging corners and tighten set screw with provided Slotted Screwdriver (Fig. 3c). This is how you will install all 24SKC06 for the rest of the assembly.

1d. This section of the assembly occupies the footprint of "A" on Fig. 1a on page 4.

1e. Section as part of whole assembly shown in Fig. 3d.

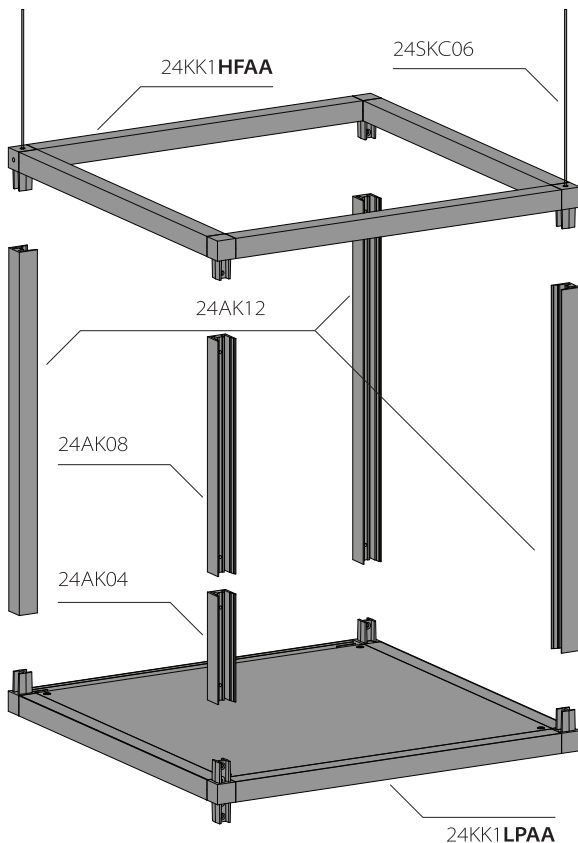


Fig. 3a

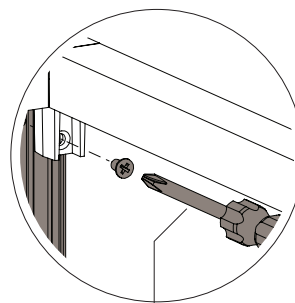


Fig. 3b

Phillips  
Screwdriver

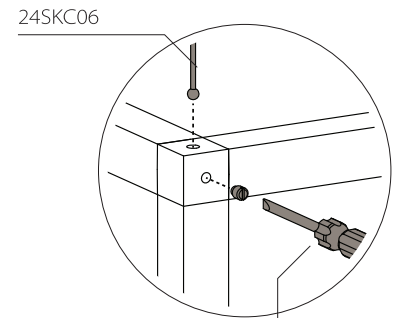


Fig. 3c

Slotted  
Screwdriver

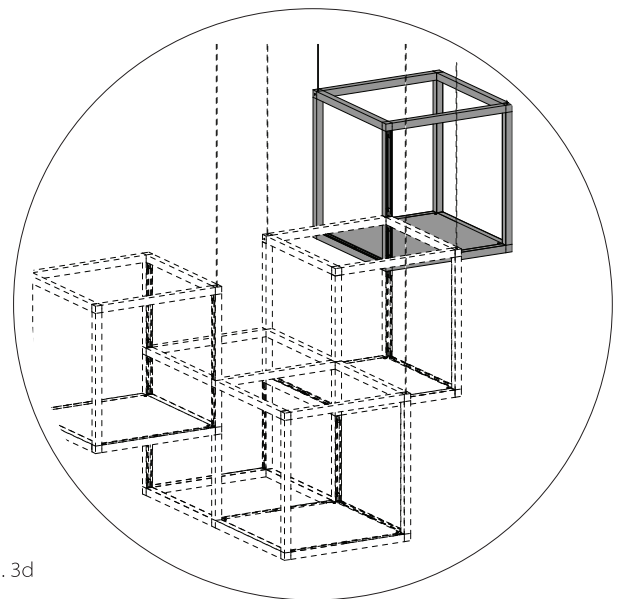


Fig. 3d

## Component Installation *Instructions d'installation*

### 2. Second section

- 2a. Install 24KK1 **HFBA** to 24KK1 **LPAA** assembly as shown in Fig. 4a. Install 24SKC06 to hanging corners and tighten set screw with included Slotted Screwdriver.
- 2b. Using the cord and cable drop installation diagram on page 4, suspend assembled components with Cable Grippers (not shown).
- 2c. This section of the assembly occupies the footprint of "B" on Fig. 1a on page 4.
- 2d. Section as part of whole assembly shown in Fig. 4b.

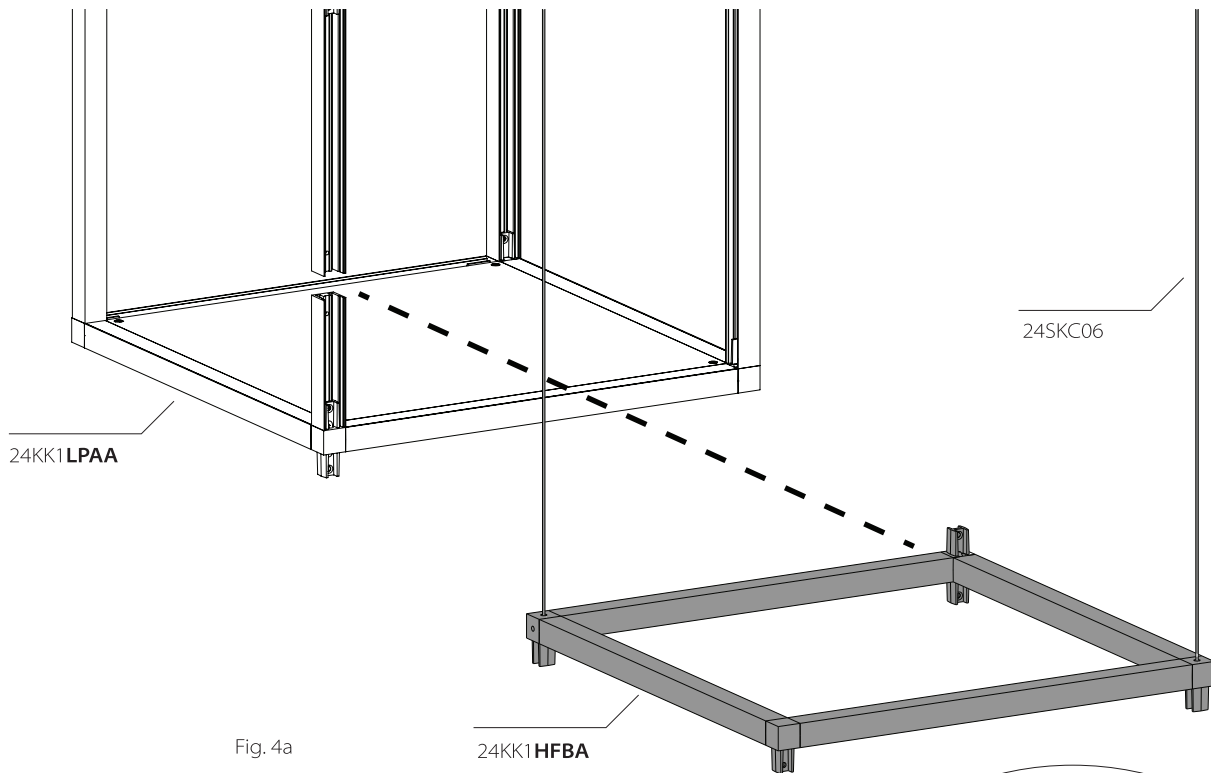


Fig. 4a

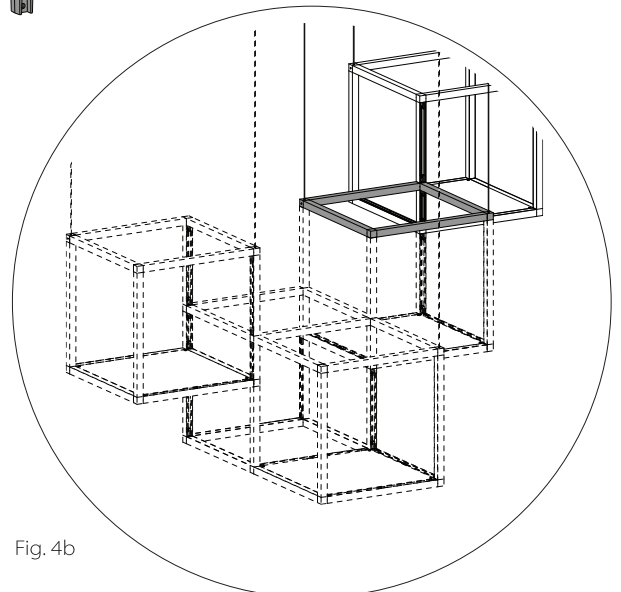


Fig. 4b

## Component Installation *Instructions d'installation*

### 3. Third section (24KK1LPBA assembly)

- 3a. Install 24KK1VFAA, (1x) 24AK12, and (1x) 24AK08 to 24KK1LPBA in the orientation shown and install assembled 24KK1LPBA to 24KK1LPAA assembly as shown in Fig. 5a.

**NOTE: Pay close attention to arm orientation, as it will affect wiring in later stages.**

- 3b. Section as part of whole assembly shown in Fig. 5b.

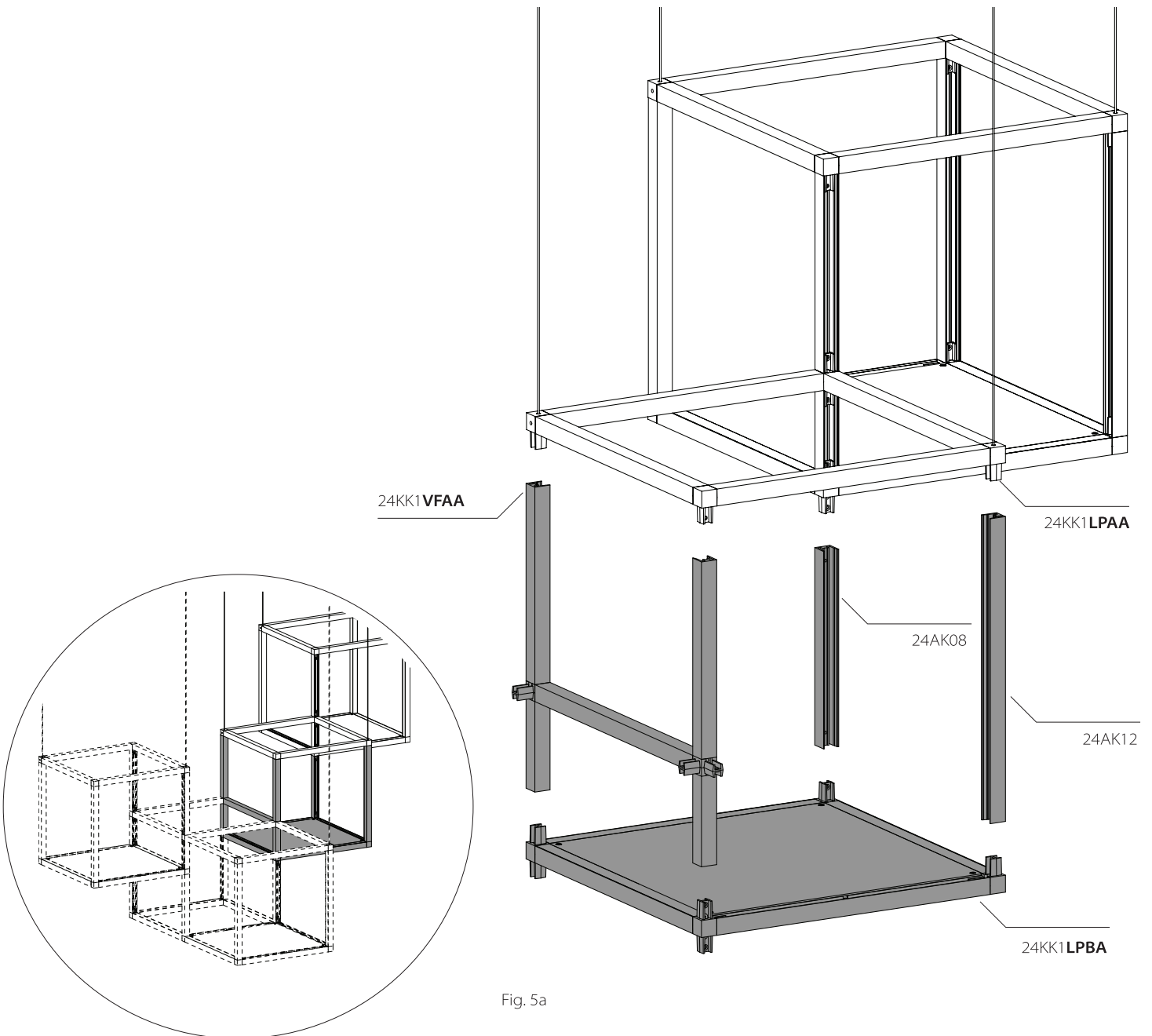


Fig. 5a

Fig. 5b



## Component Installation *Instructions d'installation*

### 4. Fourth section (24KK1LPCE assembly)

4a. Install (2x) 24AK12 and 24KK1VFBA to 24KK1LPCE in the orientation shown in Fig. 6a.

**NOTE: Pay close attention to arm orientation, as it will affect wiring in later stages.**

4b. Install 24SKC06 to hanging connectors of 24KK1HFAA and tighten set screws with included Slotted Screwdriver. Install 24KK1HFAA to the top of 24AK12 and 24KK1VFBA in the orientation shown in Fig. 6a.

4c. This section of the assembly occupies the footprint of "C" on Fig. 1a on page 4.

4d. Section as part of whole assembly shown in Fig. 6b.

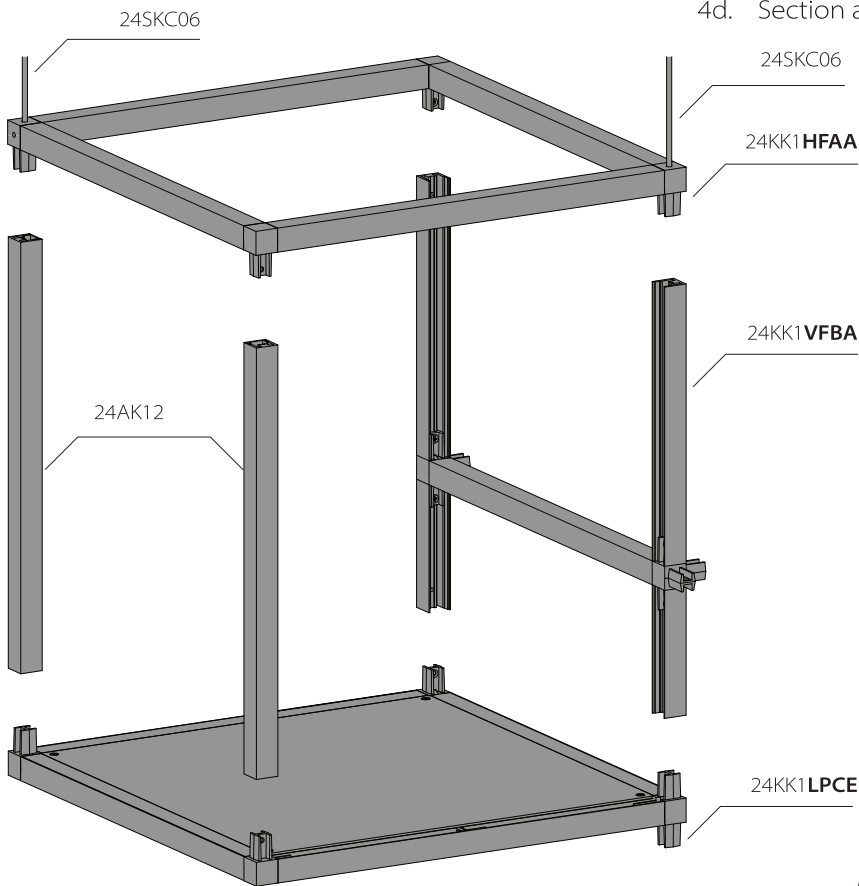


Fig. 6a

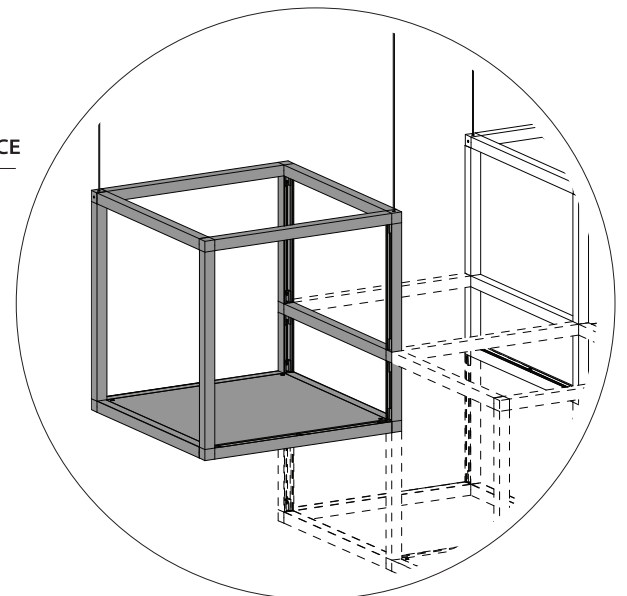


Fig. 6b

## Component Installation *Instructions d'installation*

### 5. Fifth section

- 5a. Install (2x) 24AK12 to bridge 24KK1 LPCE assembly to 24KK1 LPBA assembly as shown in Fig. 7a.
- 5b. Section as part of whole assembly shown in Fig. 7b.

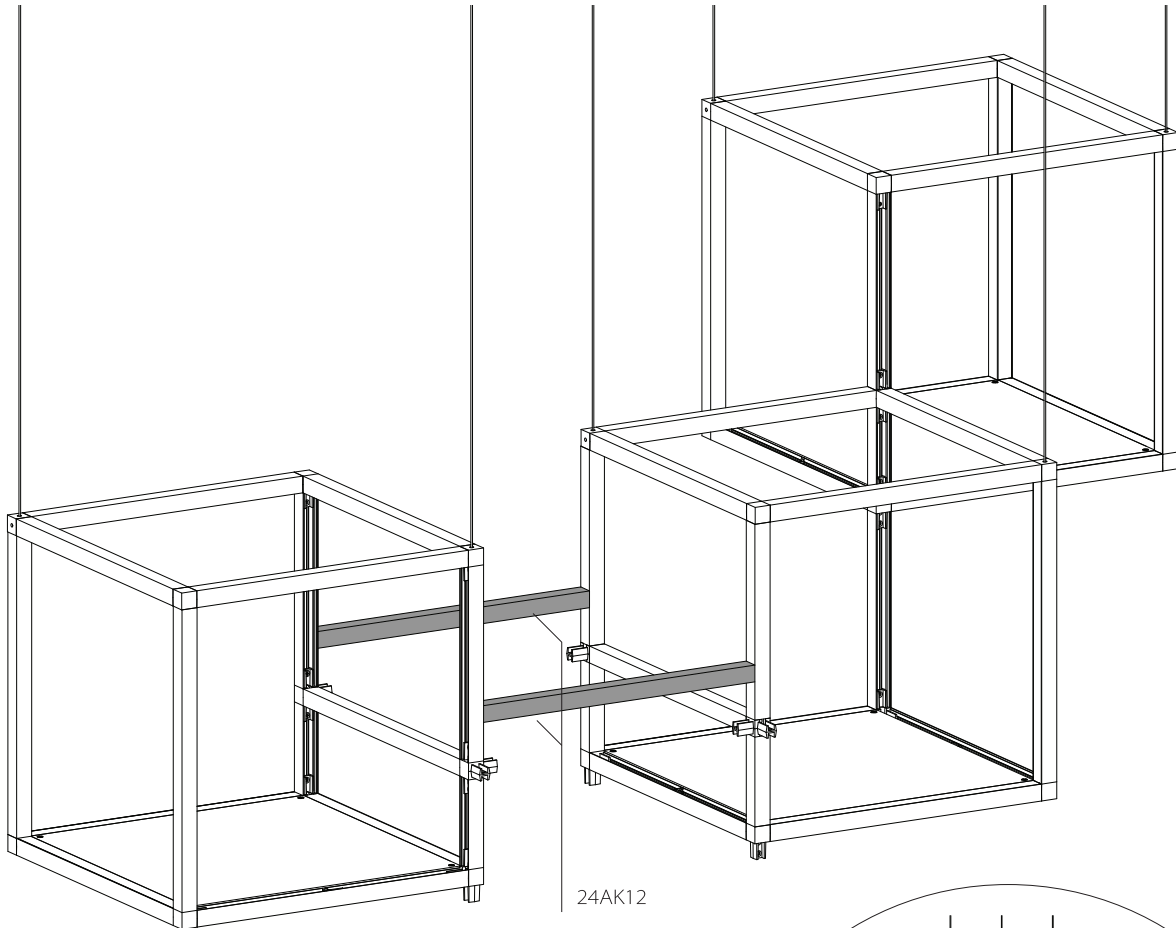


Fig. 7a

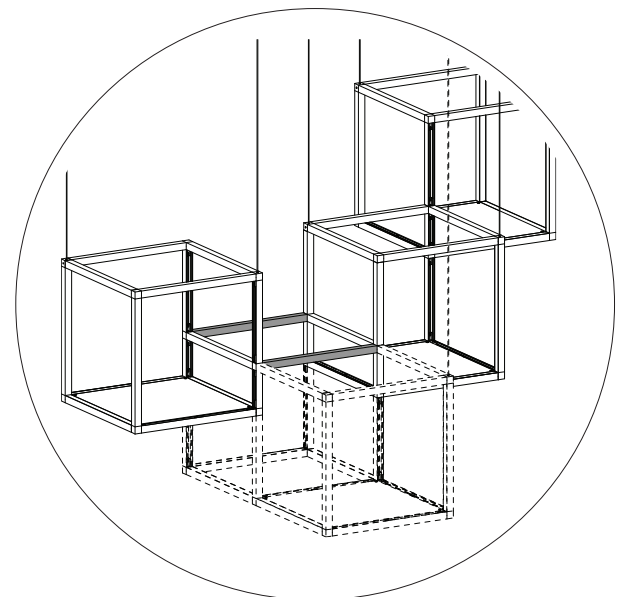


Fig. 7b

## Component Installation *Instructions d'installation*

### 6. Sixth section

- 6a. Install 24KK1HFDA to assembly in the orientation show in Fig. 8a.
- 6b. This section of the assembly occupies the footprint of "D" on Fig. 1a on page 4.

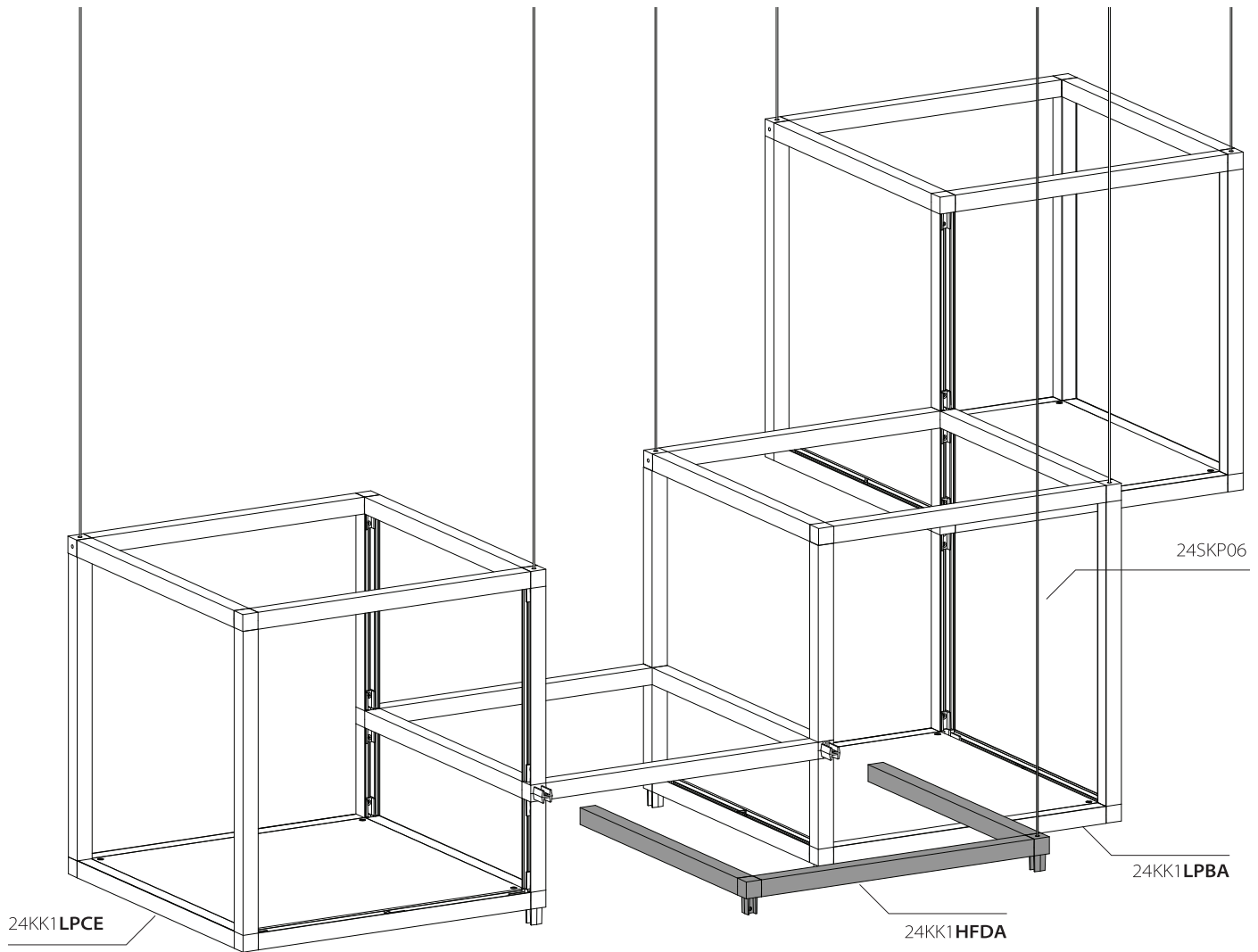


Fig. 8a

## Component Installation *Instructions d'installation*

### 7. Seventh section

- 7a. Install (2x) 24AK12 and (4x) 24AK08 to 24KK1LPDA in the orientation shown in Fig. 9a.

**NOTE: Pay close attention to arm orientation, as it will affect wiring in later stages.**

- 7b. Install 24KK1LPDA assembly to the main assembly in the orientation shown in Fig. 9a.
- 7c. Install 24SKP06 from 24KK1LPDA through arms and hanging connector and proceed with Canopy Installation Instructions Step 4.
- 7d. Using Appendix B for reference, install all connecting wires through arms to panels.
- 7e. Using a team of 2 or more people, adjust height of fixture so that it is balanced.
- 7f. Install all Arm Caps as shown in Fig. 9b and restore power to Outlet Box. **Note: When installing Arm Caps, make sure wires are not being pinched.**
- 7g. The fixture is now completely assembled.  
Continue to Appendix A to complete the electrical wiring of the product.

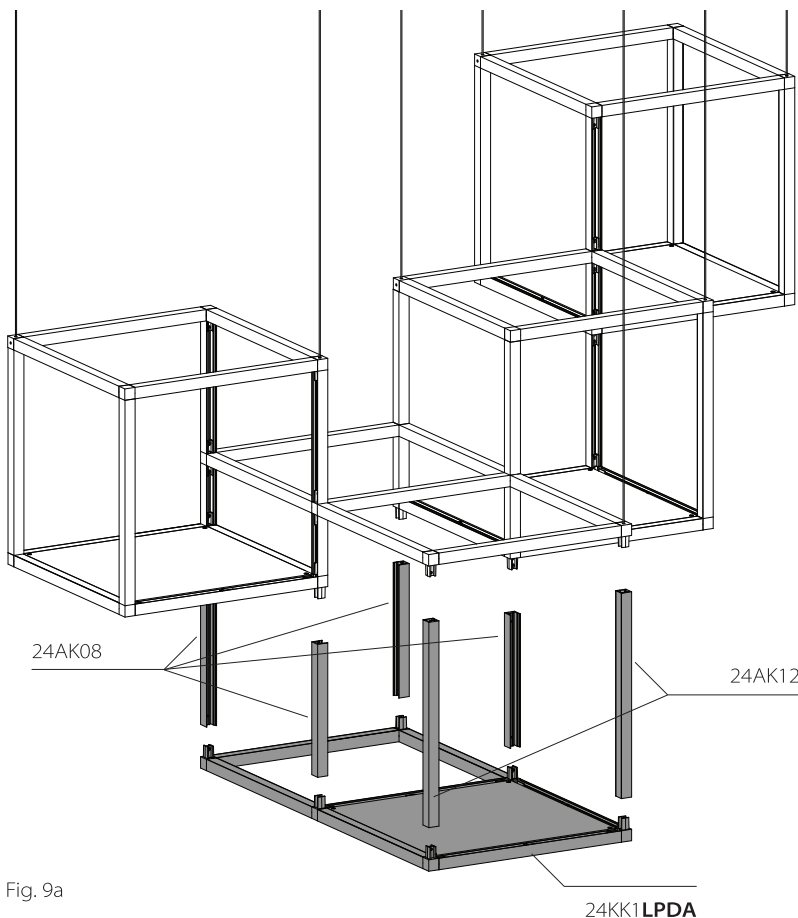


Fig. 9a

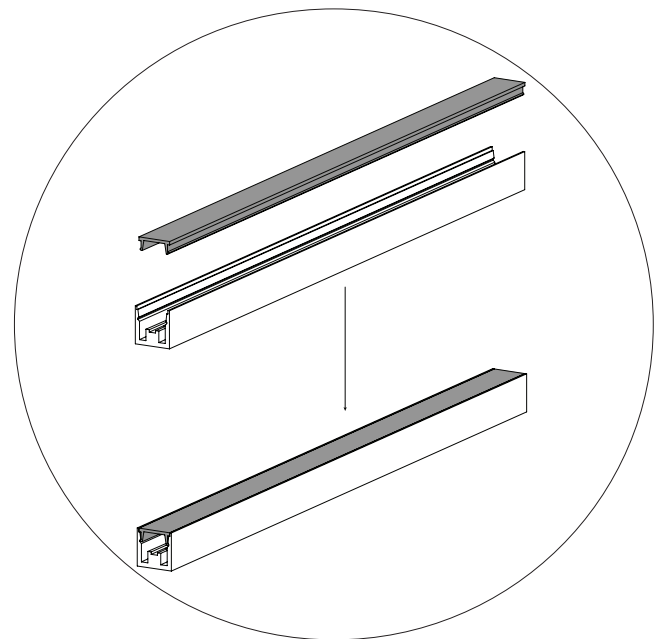
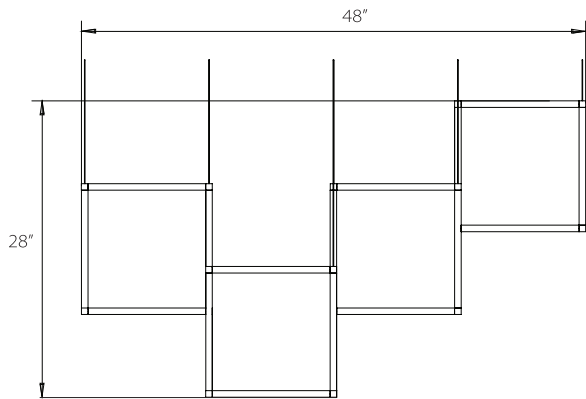
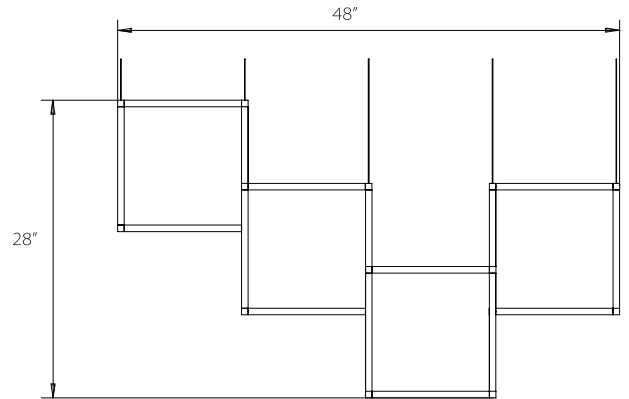


Fig. 9b

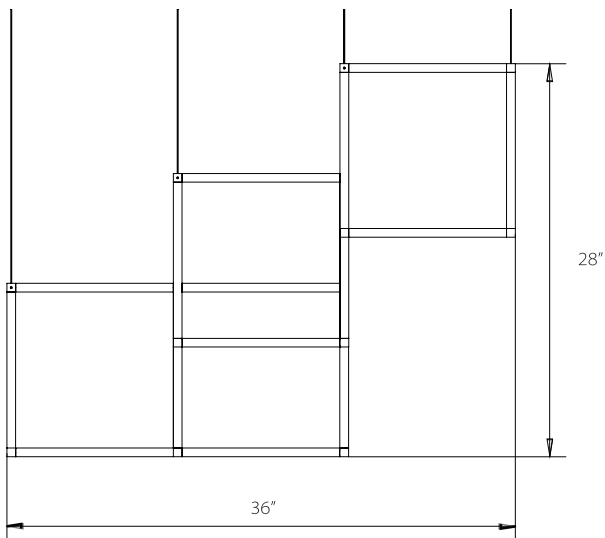
Finished Front View



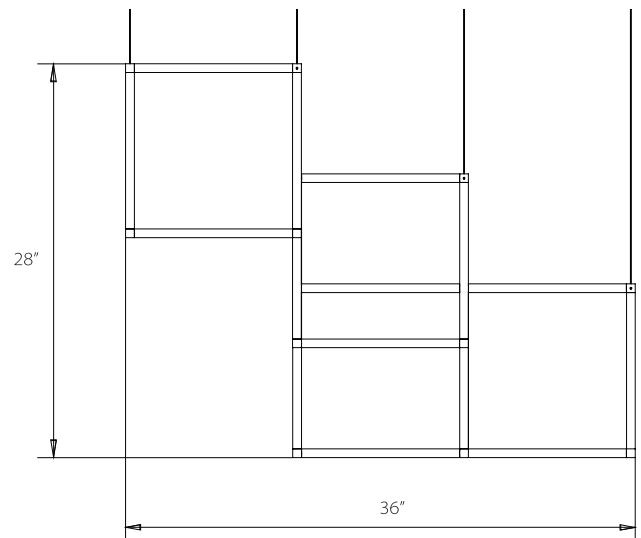
Finished Back View



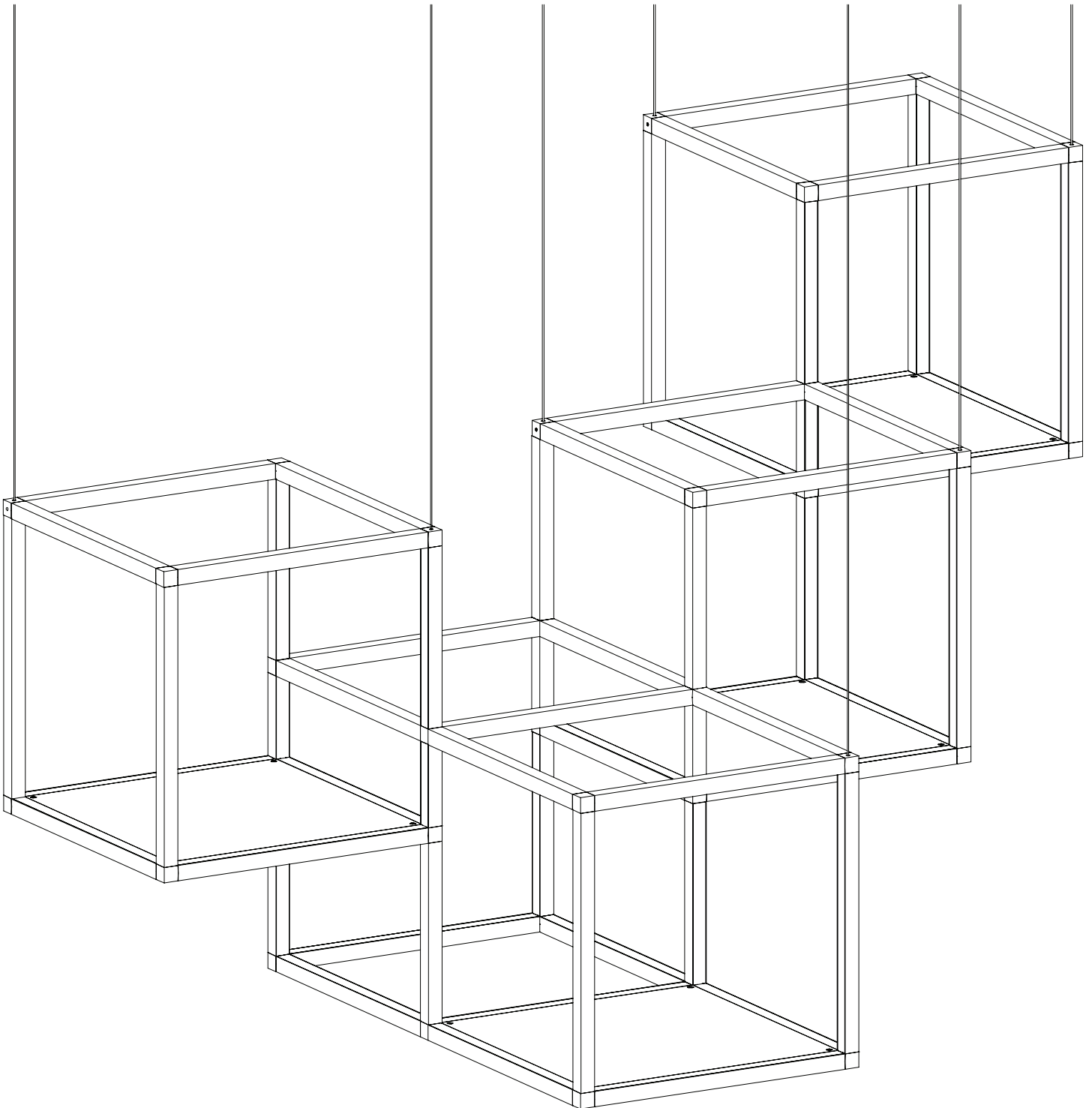
Finished Right Side View



Finished Left Side View



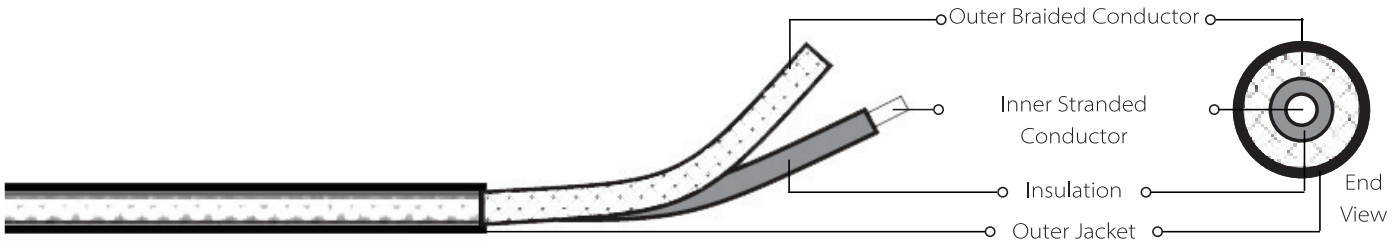
**Completed assembly**



### Coax Splicing

**FAILURE TO FOLLOW THESE INSTRUCTIONS WILL VOID THE WARRANTY**

#### Coaxial Power Cord:



If field-cutting is required, please follow the below instructions:

1. Make a 1" slice along the length of the cord's outer jacket (Fig. 1).  
**CAUTION: Do not cut through the outer braided conductor.**
2. Carefully strip the outer jacket of the cord and keep the outer braided conductors intact (Fig. 1).
3. Slide the outer braided conductor back to create a bulge and reveal the inner stranded conductor (Fig. 2).
4. Bend the cord to create an opening through the bunched-up portion of outer braided conductor, then pull out the inner stranded conductor (Fig. 3)
5. Twist together the outer braided conductor to form the negative wire of the fixture, then strip 5/8" off the end of the inner stranded conductor to form the positive wire of the fixture (Fig. 4).
6. Re-splice all power cords.

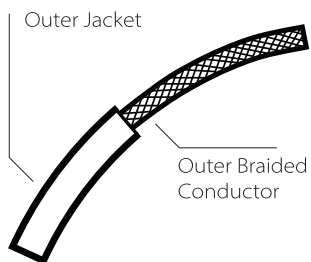


Fig. 1

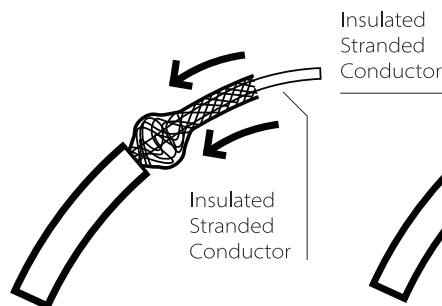


Fig. 2

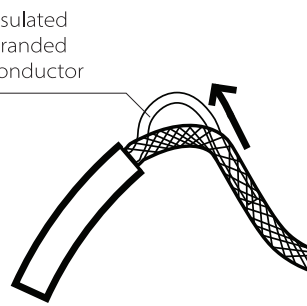


Fig. 3

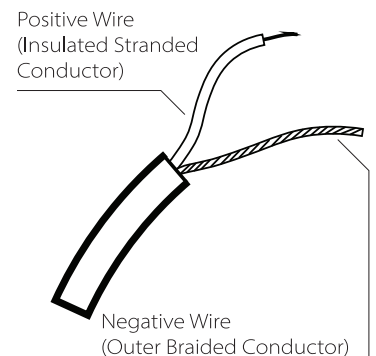


Fig. 4

### Wiring reference

The red lines indicate the wiring path for both the red and black wires from 24SKP06 to Panel and the paths for Light Panel to Light Panel. (See Fig. A for example of how to place wire nuts.)

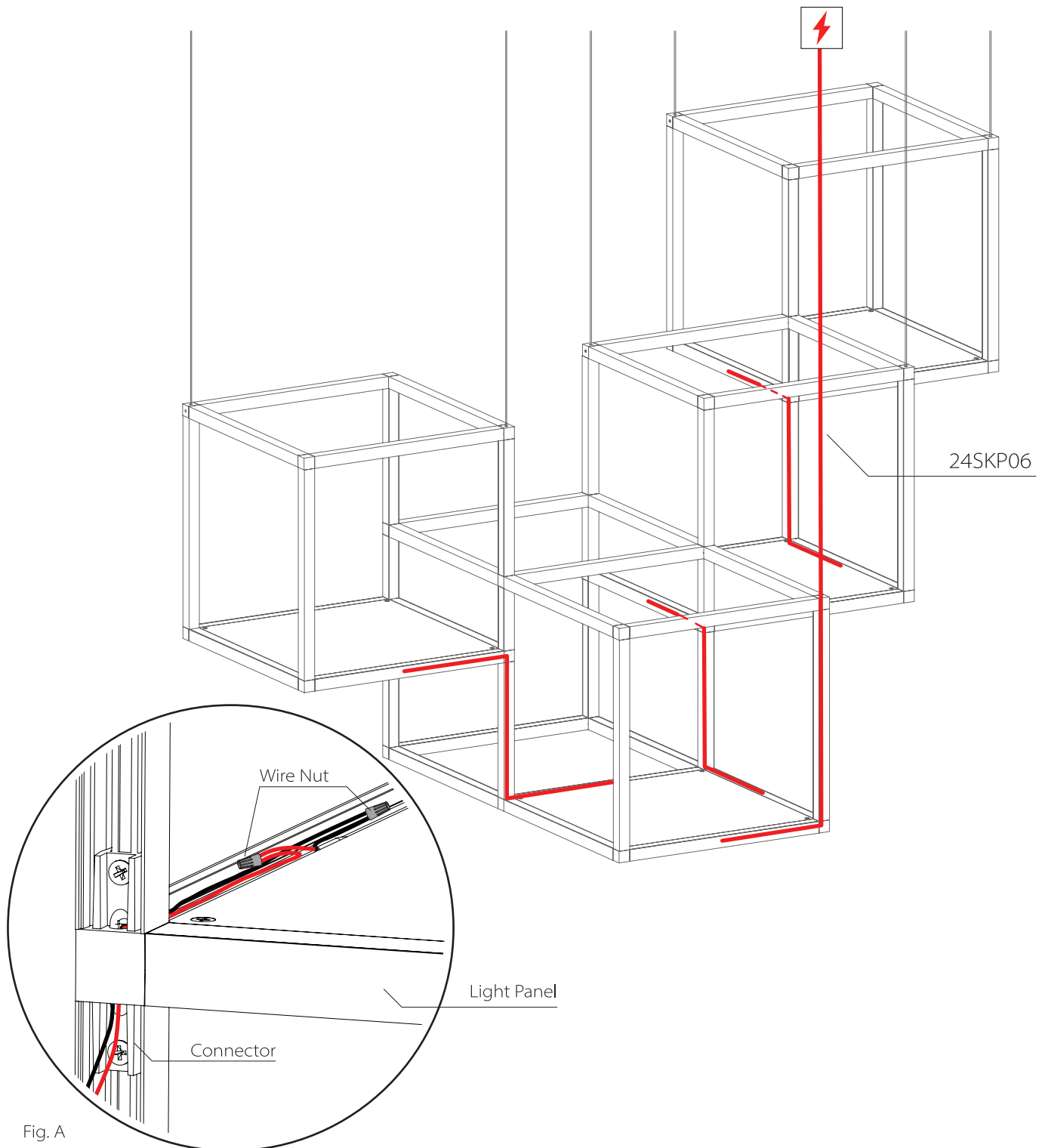


Fig. A

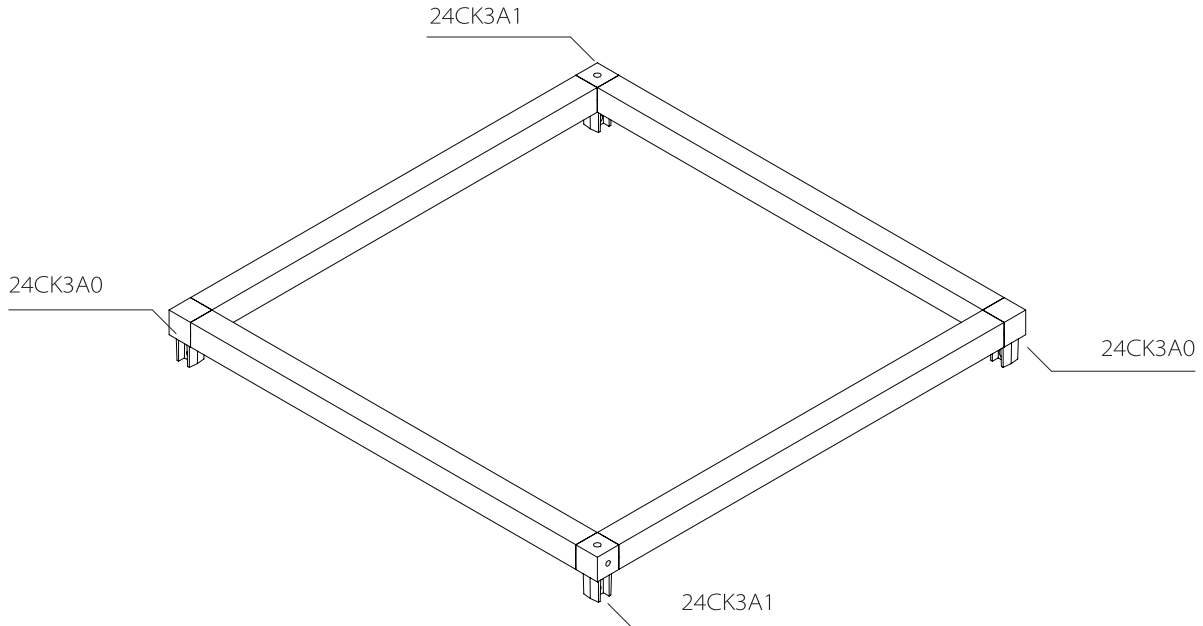


# Assembly Instructions

## Appendix C

**24CK3A1:** 3-arm Type A Hanging Connector

**24CK3A0:** 3-arm Type A Connector

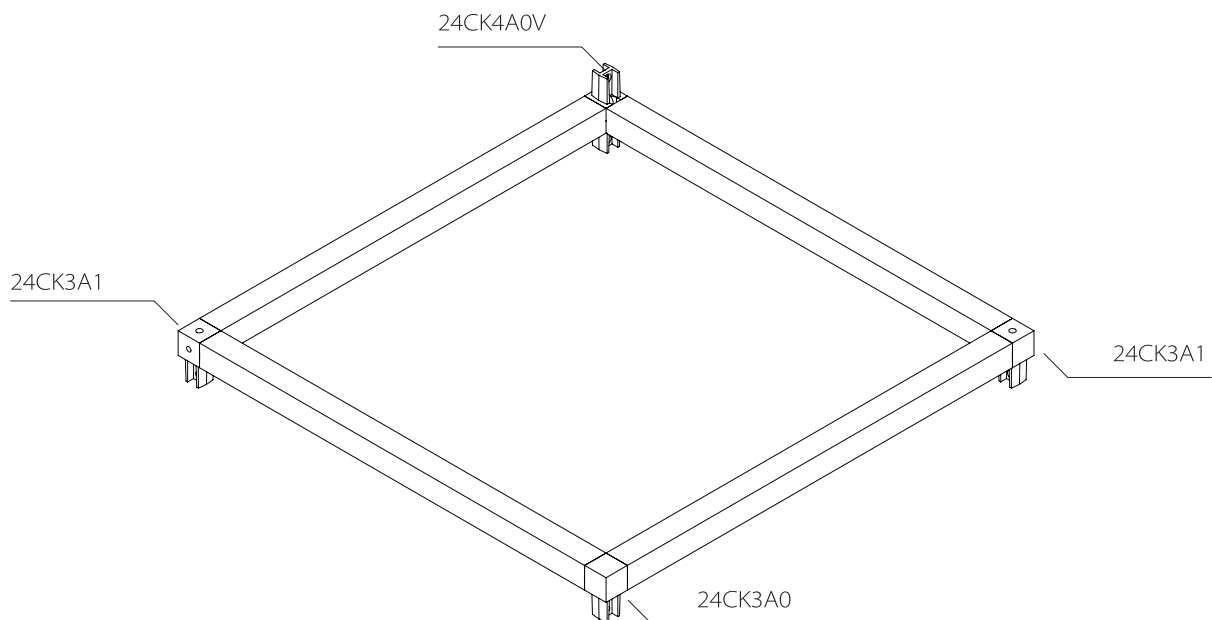


24KK1HFAA (x2):

**24CK4A0V:** 4-arm Vertical Type A Connector

**24CK3A1:** 3-arm Type A Hanging Connector

**24CK3A0:** 3-arm Type A Connector



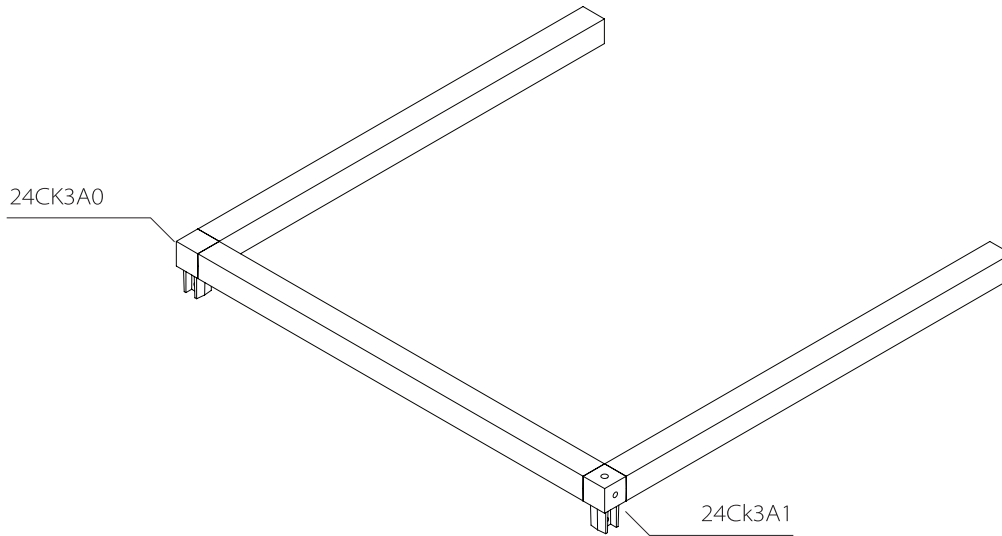
24KK1HFBA (x1):

# Assembly Instructions

## Appendix C

**24CK3A1:** 3-arm Type A Hanging Connector

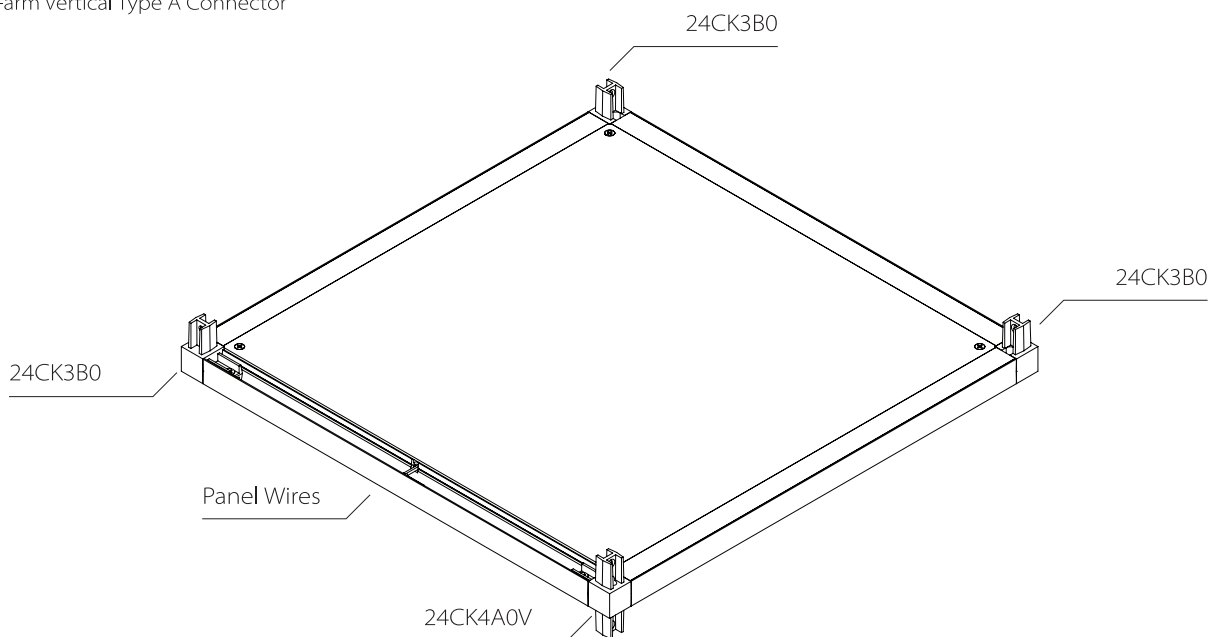
**24CK3A0:** 3-arm Type A Connector



24KK1**HFDA** (x1):

**24CK3B0:** 3-arm Type B Connector

**24CK4A0V:** 4-arm Vertical Type A Connector



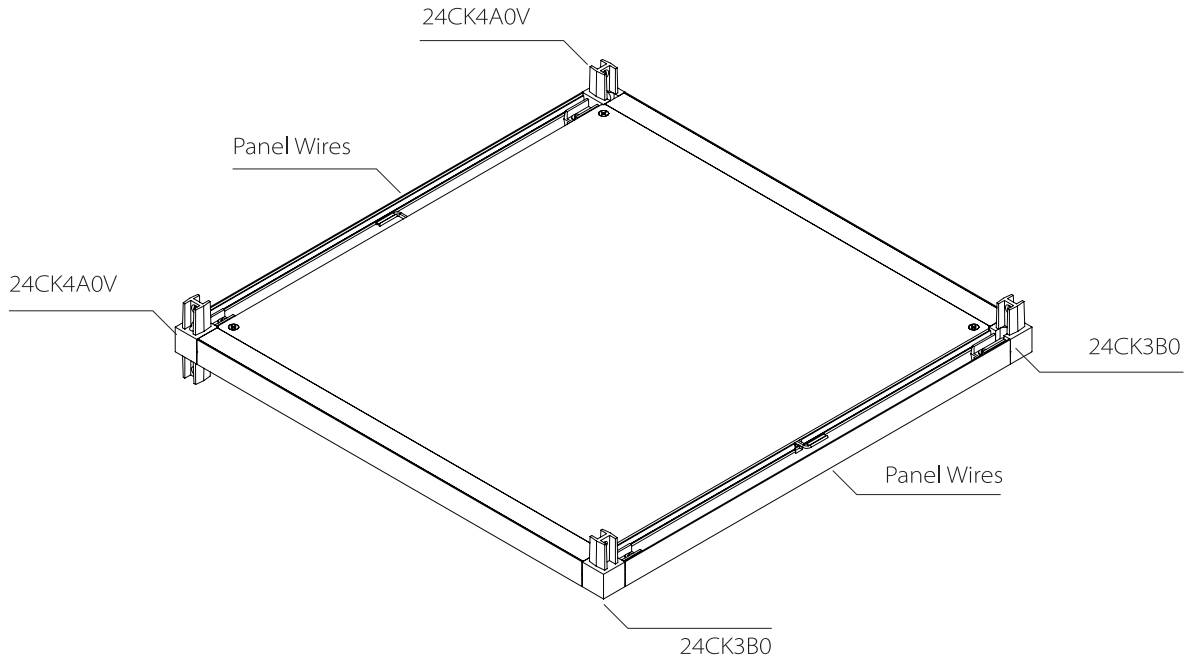
24KK1**LPAA** (x1):

# Assembly Instructions

## Appendix C

**24CK4A0V:** 4-arm Vertical Type A Connector

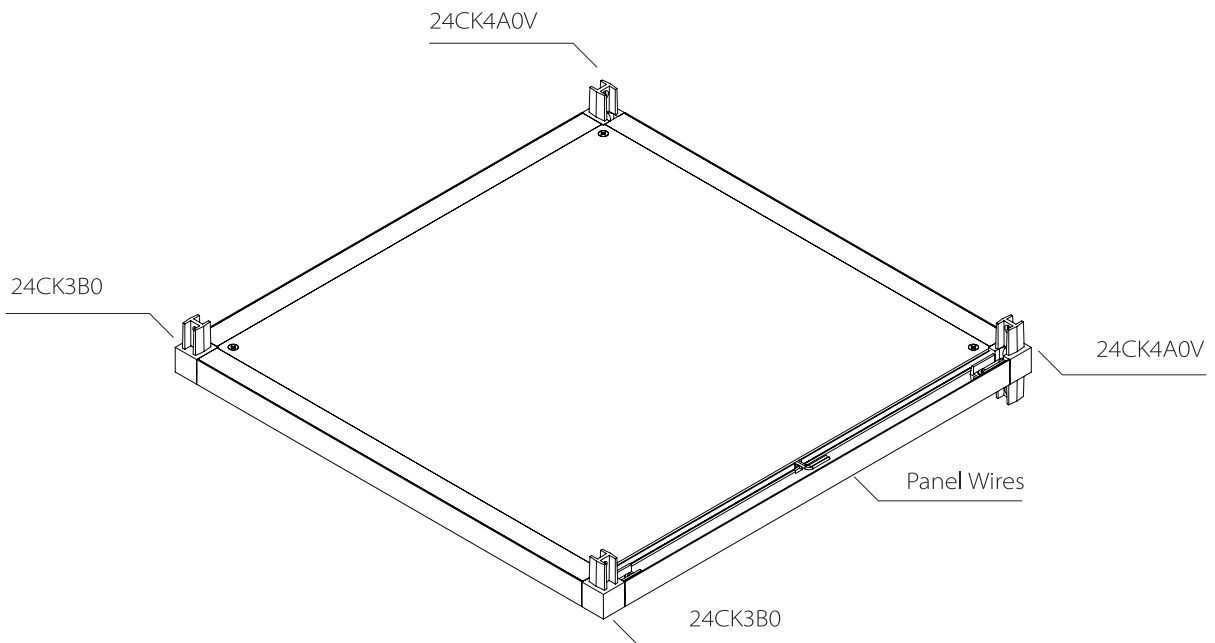
**24CK3B0:** 3-arm Type B Connector



24KK1**LPBA** (x1):

**24CK4A0V:** 4-arm Vertical Type A Connector

**24CK3B0:** 3-arm Type B Connector



24KK1**LPCE** (x1):

# Assembly Instructions

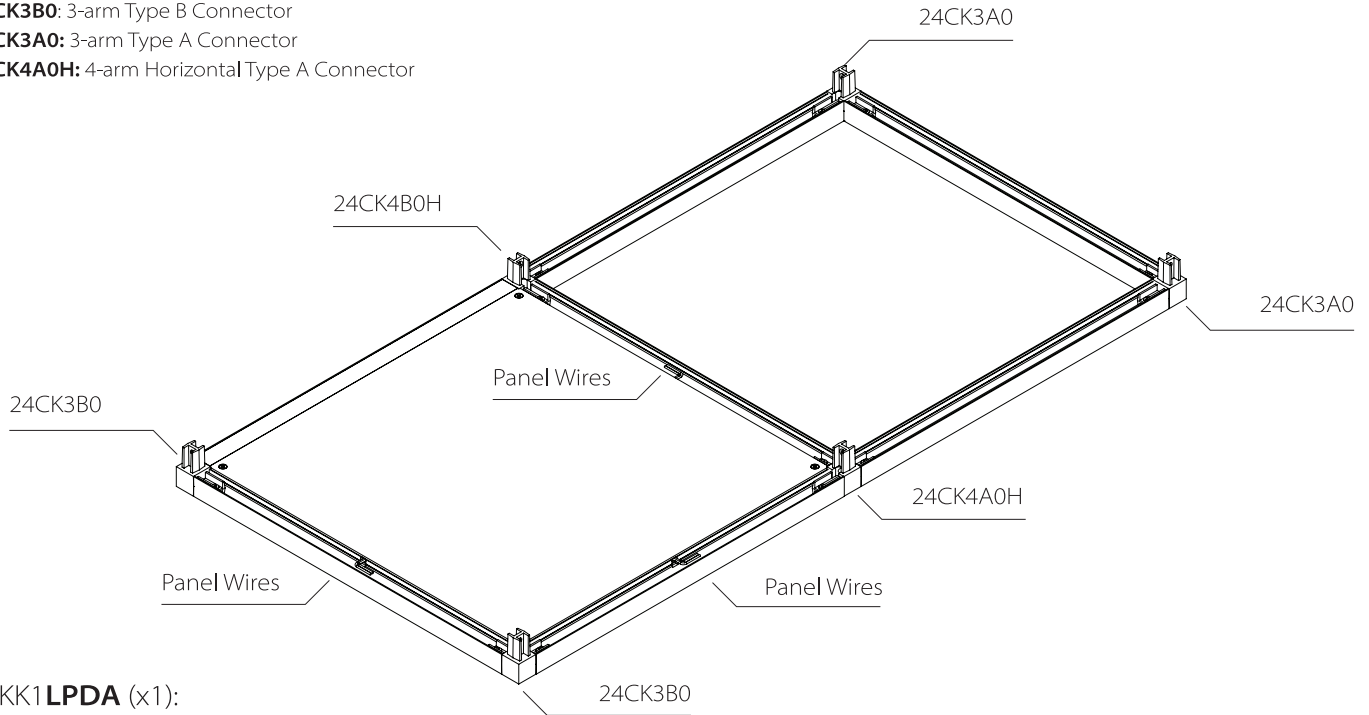
## Appendix C

**24CK4B0H:** 4-arm Horizontal Type B Connector

**24CK3B0:** 3-arm Type B Connector

**24CK3A0:** 3-arm Type A Connector

**24CK4A0H:** 4-arm Horizontal Type A Connector

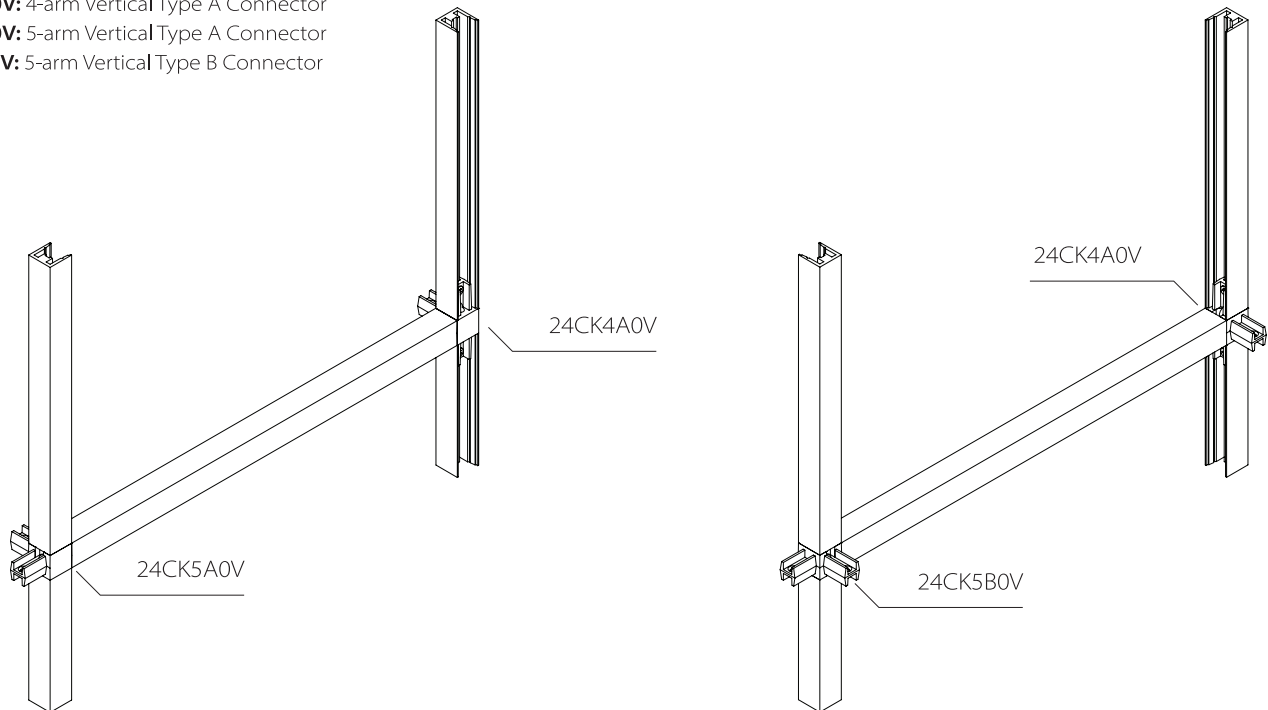


24KK1LPDA (x1):

**24CK4A0V:** 4-arm Vertical Type A Connector

**24CK5A0V:** 5-arm Vertical Type A Connector

**24CK5B0V:** 5-arm Vertical Type B Connector

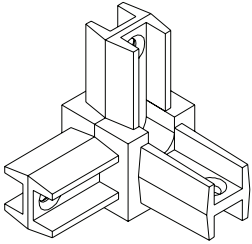


24KK1VFAA (x1):

24KK1VFBA (x1):  
Arm Frame 2

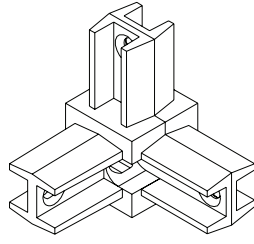
# Assembly Instructions

## Appendix C



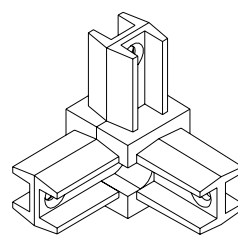
**24CK3A0**

3-arm Type A Connector



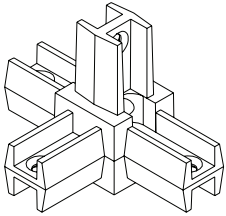
**24CK3A1**

3-arm Type A Hanging Connector



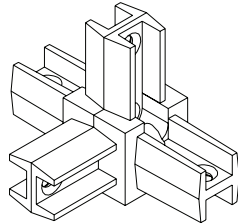
**24CK3B0**

3-arm Type B Connector



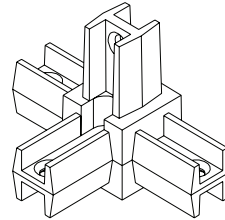
**24CK4A0H**

4-arm Horizontal Type A Connector



**24CK4A0V**

4-arm Vertical Type A Connector



**24CK4B0H**

4-arm Horizontal Type B Connector