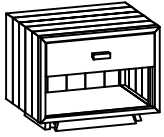

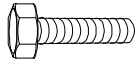




# FR-1002-02 NOVA SIDE TABLE

Thank you for purchasing this quality product. Be sure to check all packing material carefully for small parts that may have come loose inside the carton during shipment.

A. BODY x 1 	B. LEGS x 4 	C. BOLT M8-60 x 8 	D. FLAT WASHER M8-19 x 8 
E. 13mm HEX WRENCH x 1 	F. SPRING WASHER M8 x 8 