



CAL LIGHTING

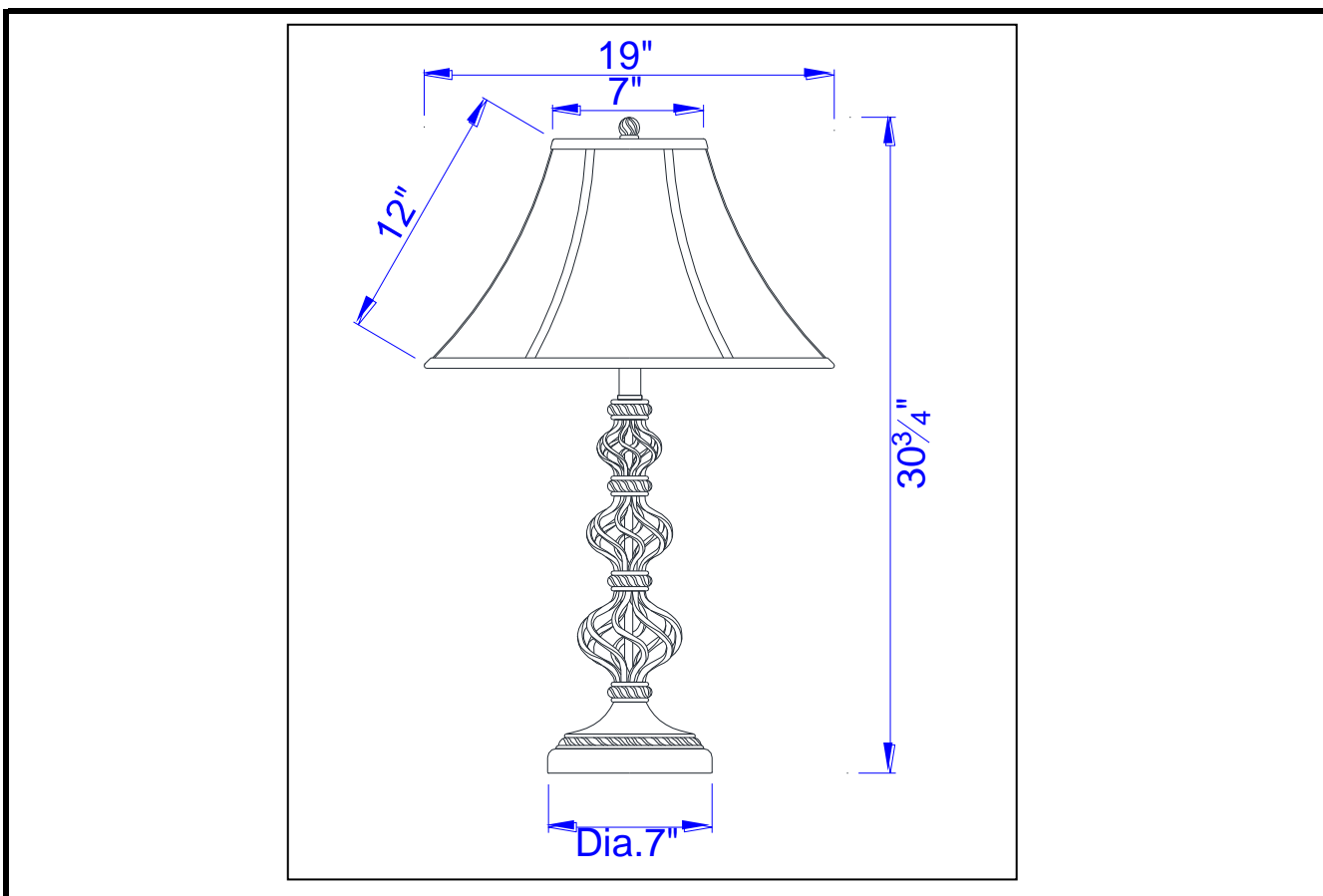
3625 E. Philadelphia St. Ontario CA. 91761 • Tel: 909.947.5200 • Fax:
909.947.5673 • www.calighting.com • service@calighting.com •
Specifications subject to change without notice

Type: _____

Project: _____

Catalog No.: _____

Lamp/Wattage: _____



- Model No:** BO-860
- Description:** Wrought Iron/Resin Table Lamp
- Material:** Iron/Resin
- Finish :** Bronze/Gold
- Height:** 30 3/4"
- Base Width:** Dia.7"
- Wattage :** 150W
- Socket :** Medium Base (E27)
- Switch:** 3-way
- Bulb:** Incandescent, CFL
- Wire Length:** 6'
- Wire Color:** Black
- Shade No:** SH-7029
- Material:** Silk
- Shade size:** 7"x19"x12"
- Certificate :**