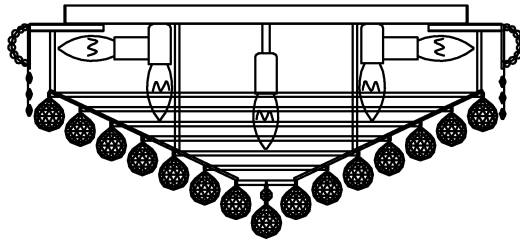


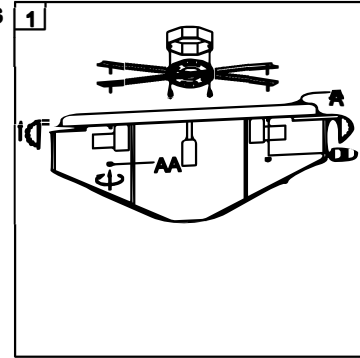
Trade Mark:  
CRYSTAL WORLD INC

Product Name: Ceiling lamp  
Model :8001C28C  
120Vac, 60Hz,AC ONLY  
Lamp size:Ø28"XH13"



## CEILING LAMP ASSEMBLY INSTRUCTIONS





1. Place fixture(A) onto mounting screws (DD).secure with cap nuts (AA).






### Hardware Used

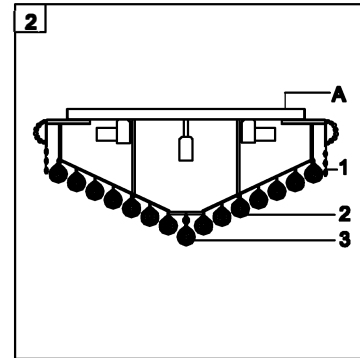
AA Cap nut  X 4  
DD Mounting screw  X 4


2. Please put the crystal(1) (2) (3) to the fixture (A) .

1  2  3  

 14mm\*3pcs     40mm\*1pcs     14mm\*1pcs  
126PCS    172PCS    40mm\*1pcs

1PCS



3. Install light bulbs ( not included).  
Use bulb  15\*40W Max.

