

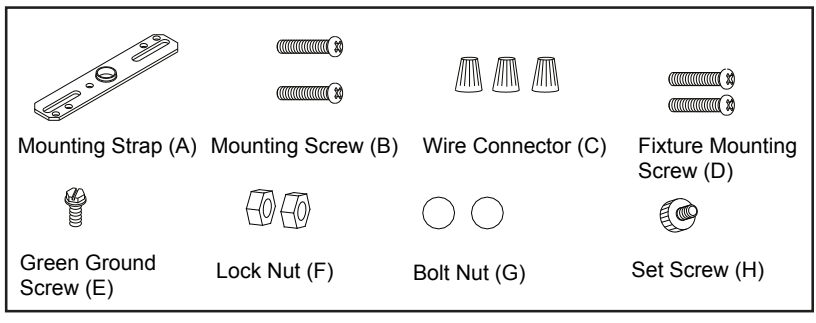
# ASSEMBLY AND INSTALLATION INSTRUCTIONS

P0242 / P0243 / P0244 / P0268

**WARNING:** TO AVOID RISK OF ELECTRICAL SHOCK, BE SURE TO SHUT OFF POWER BEFORE INSTALLING OR SERVICING THIS FIXTURE.

**NOTES:** 1. Before installing, consult local electrical codes for wiring and grounding requirements.  
2. READ AND SAVE THESE INSTRUCTIONS.

## Hardware Package (included):



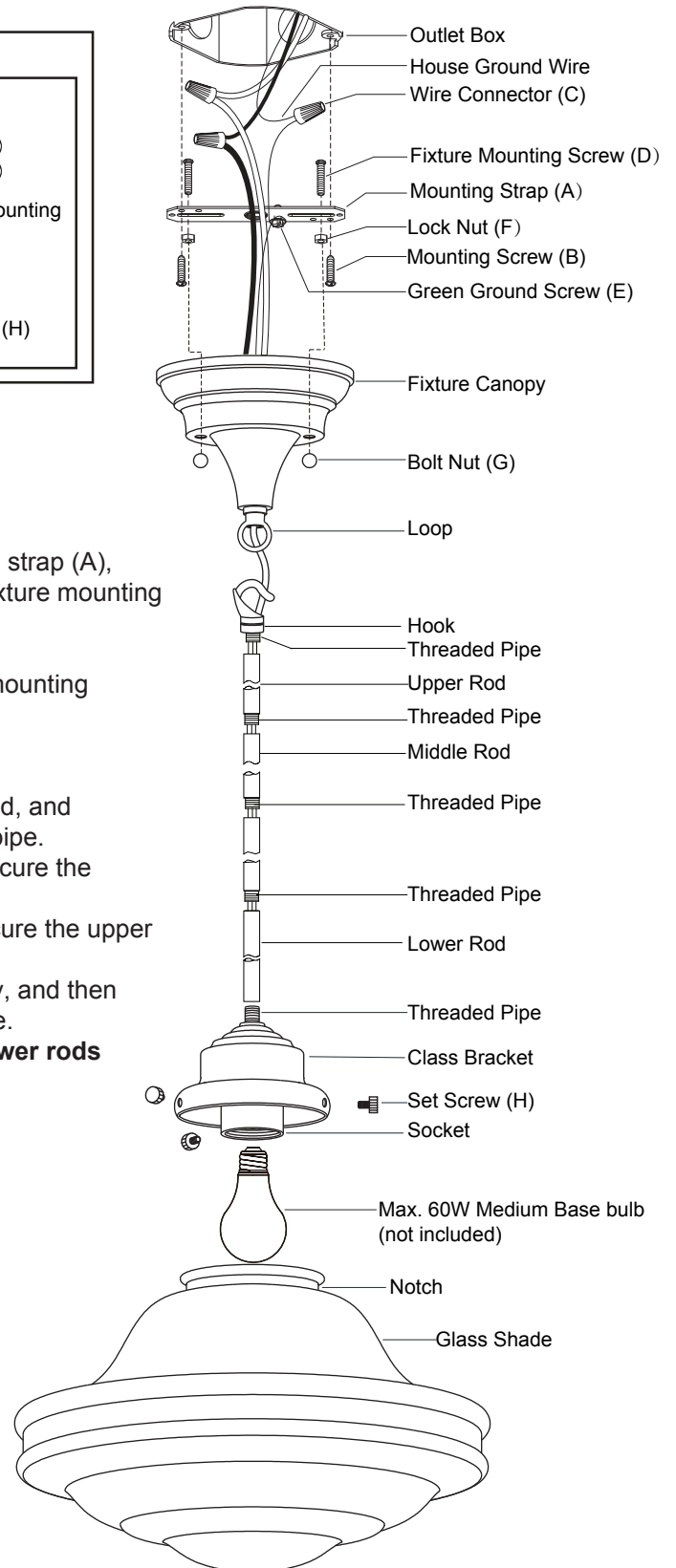
## Installation Steps

Turn off the power at fuse or circuit box.

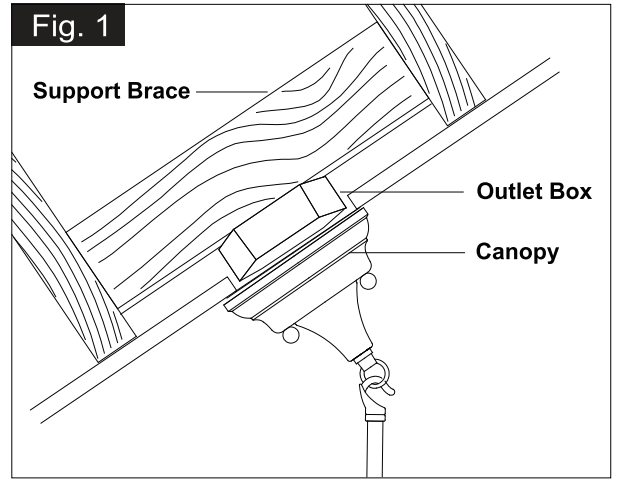
1. Thread two fixture mounting screws (D) through the mounting strap (A), and then secure with lock nuts (F). Adjust the length of the fixture mounting screws (D) if necessary.
2. Attach the mounting strap (A) to the outlet box by using two mounting screws (B).
3. Rod Connections:
  - a. Thread the fixture wire from the fixture through the lower rod, and then secure the lower rod onto fixture using the threaded pipe.
  - b. Thread the fixture wire through the middle rod, and then secure the middle rod onto the lower rod using the threaded pipe.
  - c. Thread the fixture wire through the upper rod, and then secure the upper rod onto the middle rod using the threaded pipe.
  - d. Thread the fixture wire through the hook and fixture canopy, and then secure the hook onto the upper rod using the threaded pipe.

**Note: Length adjustable from 14-3/4" to 59-3/4". Use fewer rods if shorter length is desired.**
4. Hang the hook to the loop of the fixture canopy.
5. Pull out the source wires from the outlet box. Make wire connections using wire connectors (C) as follows:
  - Connect the hot wire (black insulation) from the fixture to the black wire from the power source.
  - Connect the neutral wire (white insulation) from the fixture to the white wire from the power source.
  - Attach the fixture ground wire (bare wire) to the mounting strap (A) with the green ground screw (E), then depending on local code, connect it to the house ground wire with the wire connector (C).

Carefully put all of the wires back into the outlet box.



6. Attach the fixture canopy to the mounting strap (A) by inserting the fixture mounting screw (D), and then secure it with two bolt nuts (G).
7. Install 2 x 100W Max medium base bulbs (not included). See relamping label at socket area or packaging for maximum wattage allowed.
8. Attach the glass shade to the glass bracket by threading set screws (H) onto the glass notches. (Do not over tighten.)
9. Angled mounting recommended for a vaulted or angled ceiling. (See Fig.1)



Turn on the power at fuse or circuit box.

The following parts are available for re-order if damaged or missing.

**Spare Parts List:**

Mounting Strap (A)	Mounting Screw (B)	Wire Connector (C)	Fixture Mounting Screw (D)
Green Ground Screw (E)	Lock Nut (F)	Bolt Nut (G)	Set Screw (H)

12" Rod 3052RD FOR P0242 / P0243 4644RR FOR P0244 / P0268	6" Rod 3051RD FOR P0242 / P0243 4645RR FOR P0244 / P0268	3" Rod 3050RD FOR P0242 / P0243 4646RR FOR P0244 / P0268

Assembly Kit  
5773MM for P0242 / P0243  
6008MM for P0244 / P0268

Glass Shade  
9920CG FOR P0242 / P0268  
9919MG FOR P0243 / P0244

A: 12" B: 14-3/4" ~ 59-3/4"

### 1 Year Warranty

Vaxcel warrants all of our products against defects in workmanship and finishes for one year following the date of shipment.

*Exclusions: This warranty does not include the failure of products from extreme acts of nature; environmental conditions not suited for the products intended use; operation in temperatures outside of the range specified in the instruction manual; usage with improper power supply, power surges or dips. For coastal locations, some corrosion is considered normal for the environment.*

*Vaxcel reserves the right to repair, replace or issue a credit for any properly installed product, provided it is returned per RMA instruction. This warranty is limited to the cost of the product only and does not extend to transportation, installation or replacement costs.*

How can warranty service be obtained?

info@vaxcel.com  
1-800-482-9235