

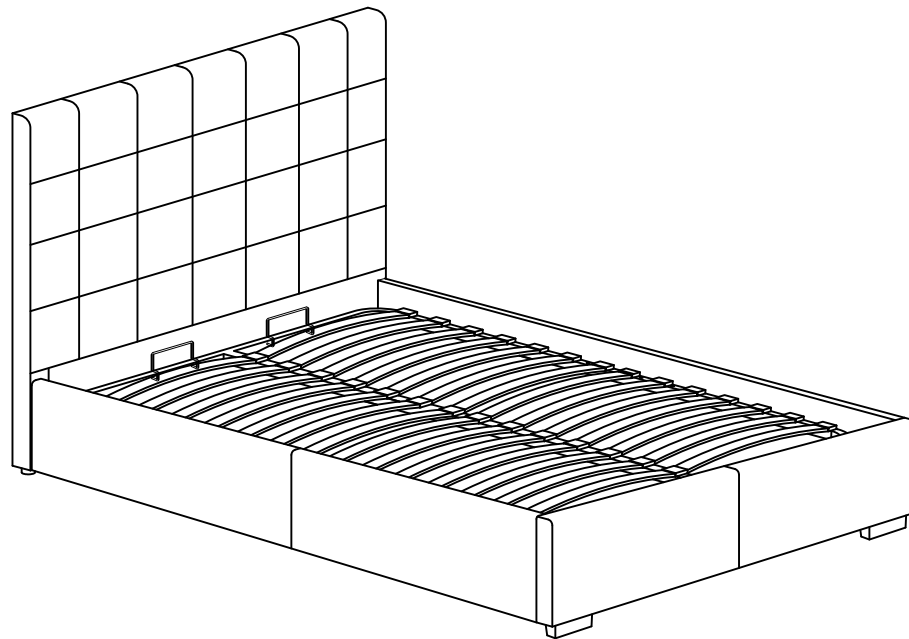
MOE'S

home collection

ASSEMBLY INSTRUCTIONS.

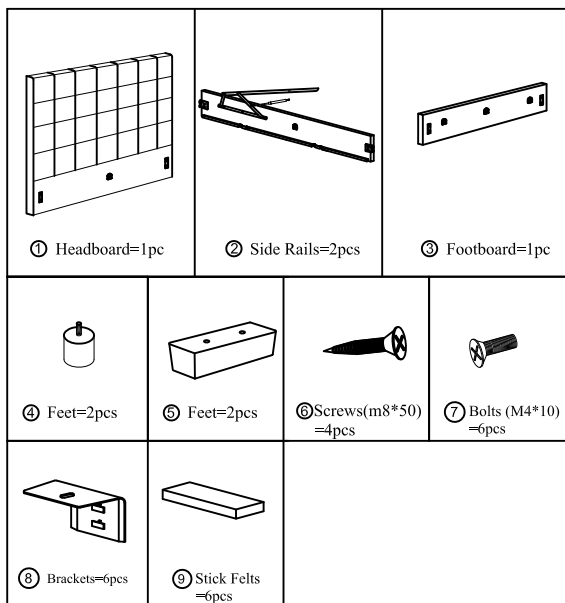
BELLE STORAGE BED KING SAND

RN-1001-40

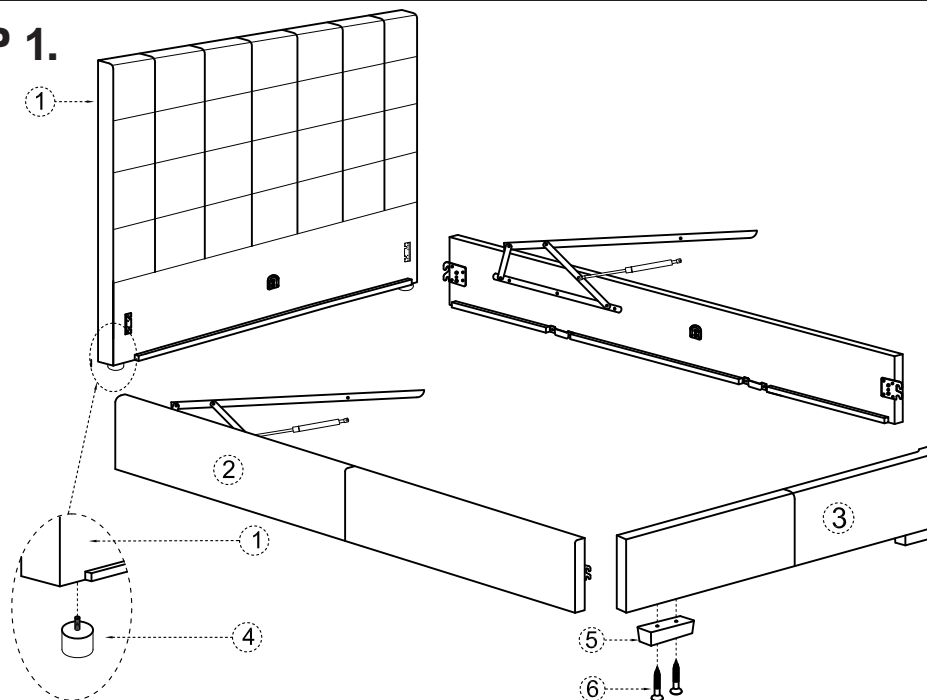


THANK YOU FOR YOUR PURCHASE!

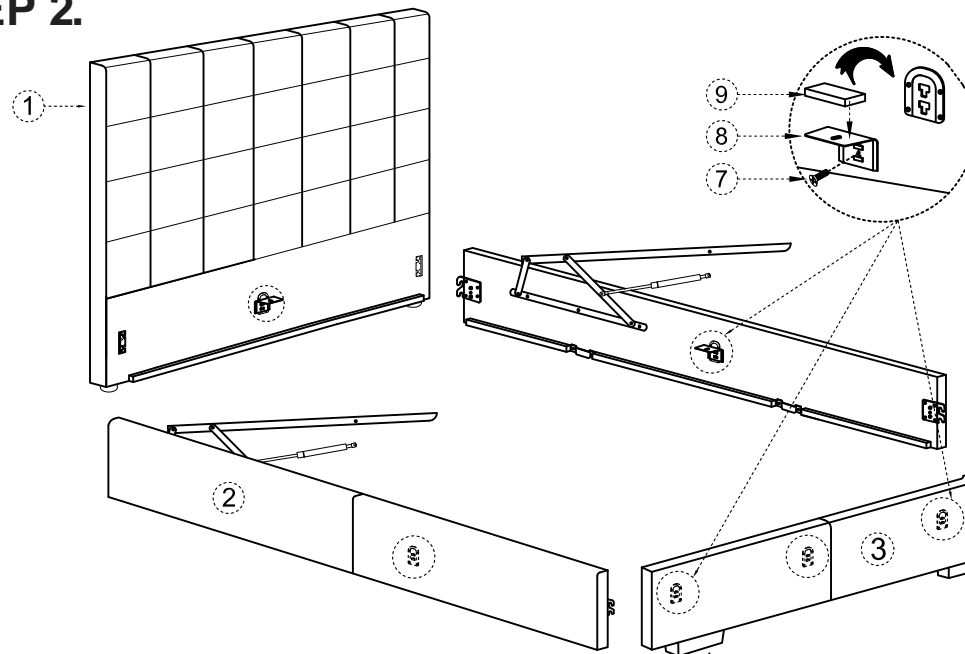
PARTS AND HARDWARE.



STEP 1.



STEP 2.

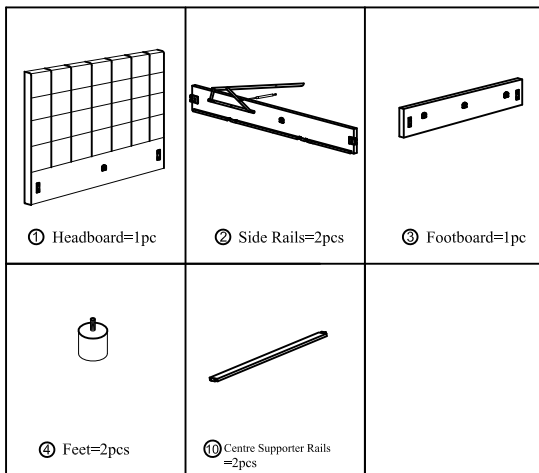


NOTES.

Thank you for purchasing this quality product! Be sure to check all packing material carefully for small part that may have come loose inside the carton during shipping.

CAUTION: The item is heavy, assembly should be performed by two people.

PARTS AND HARDWARE.

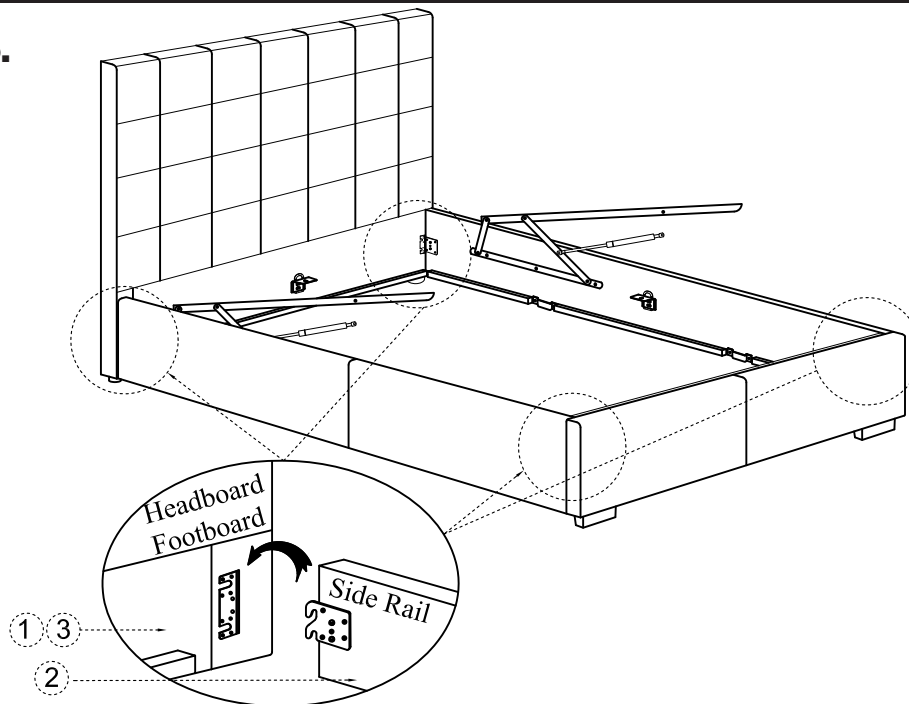


NOTES.

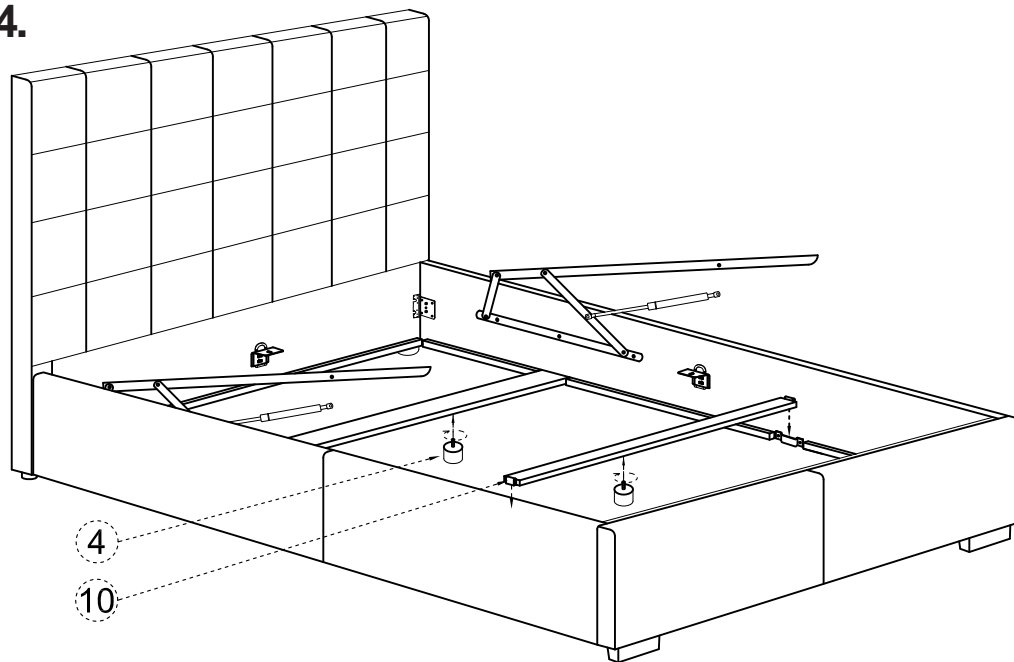
Thank you for purchasing this quality product! Be sure to check all packing material carefully for small part that may have come loose inside the carton during shipping.

CAUTION: The item is heavy, assembly should be performed by two people.

STEP 3.



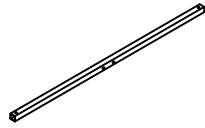
STEP 4.



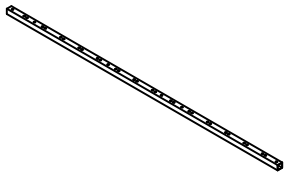
PARTS AND HARDWARE.



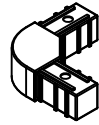
⑪ Baseboards
=5pcs



⑫ Tube slat frame
=2pcs



⑬ Tube slat frame
=2pcs



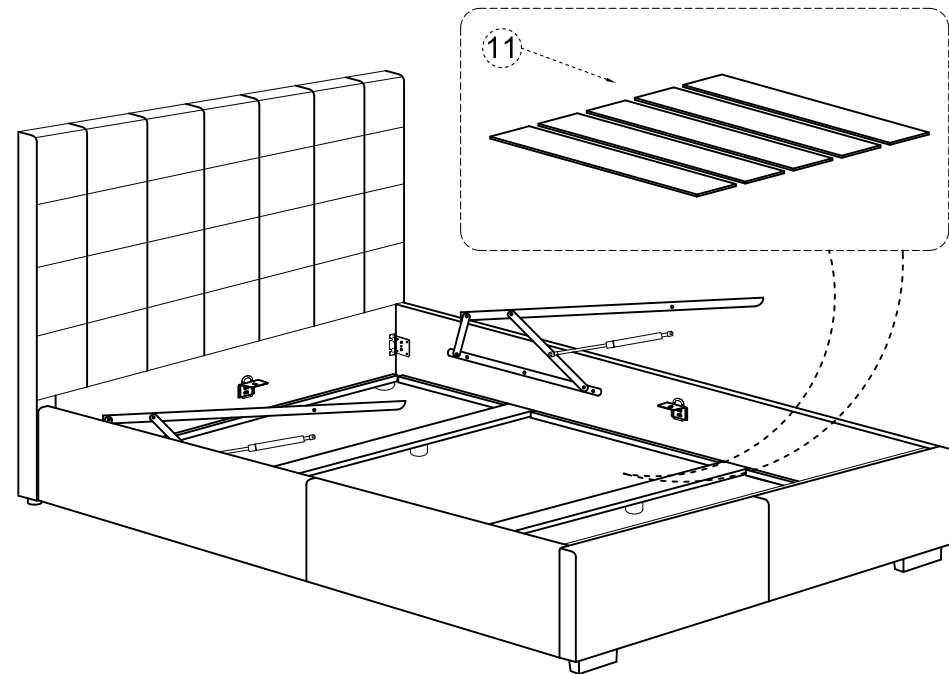
⑭ Connect for slat
frame =4pcs

NOTES.

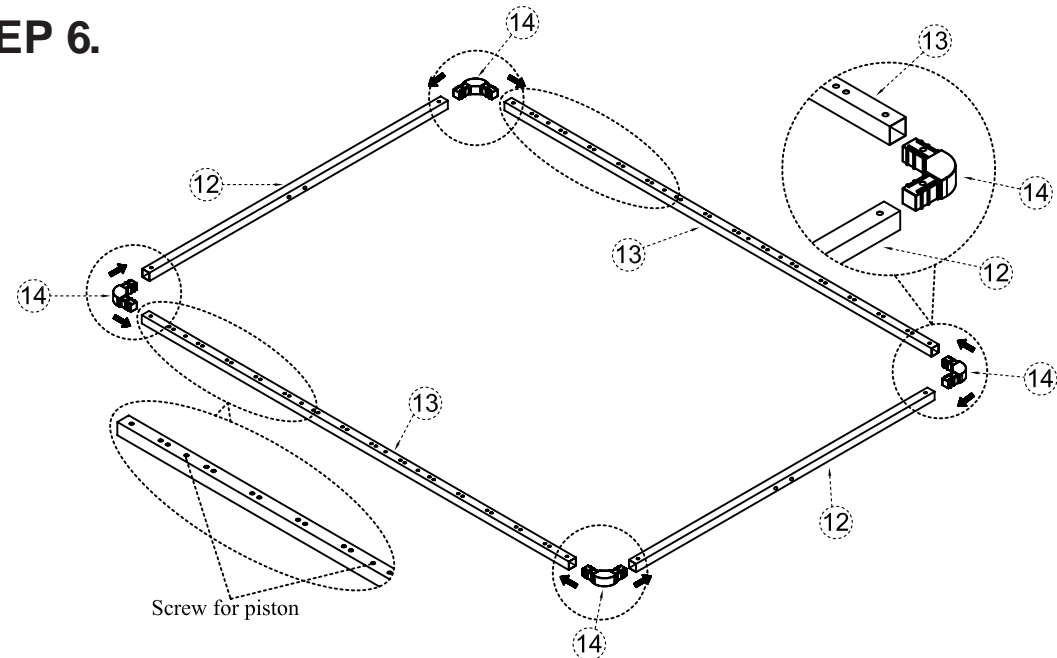
Thank you for purchasing this quality product! Be sure to check all packing material carefully for small part that may have come loose inside the carton during shipping.

CAUTION: The item is heavy, assembly should be performed by two people.












STEP 5.



STEP 6.



PARTS AND HARDWARE.

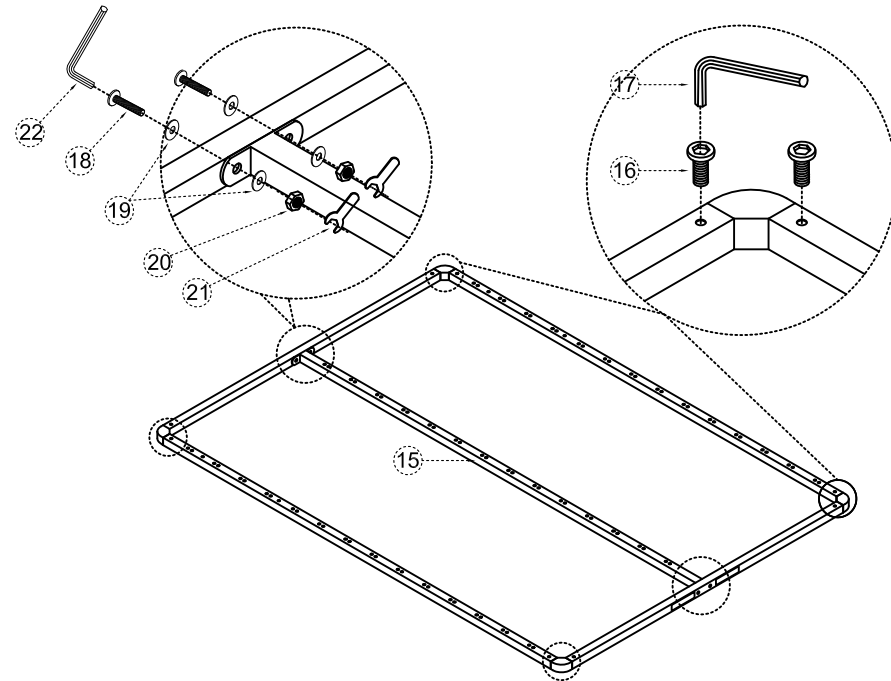
 ⑮ Tube slat frame =1pc	 ⑯ Bolts(Ø6*10) =8pcs	 ⑰ (m4) Allen Key=1pc
 ⑱ Bolts(Ø8*45) =4pcs	 ⑲ Washers(m8) =8pcs	 ⑳ Nuts(Ø8) =4pcs
 ㉑ Spanner=1pc	 ㉒ (m5) Allen Key=1pc	 ㉓ Wid plastic cap(Big) = 14 Pcs
 ㉔ End plastic cap(Small) = 28 Pcs	 ㉕ Slats = 28 Pcs	

NOTES.

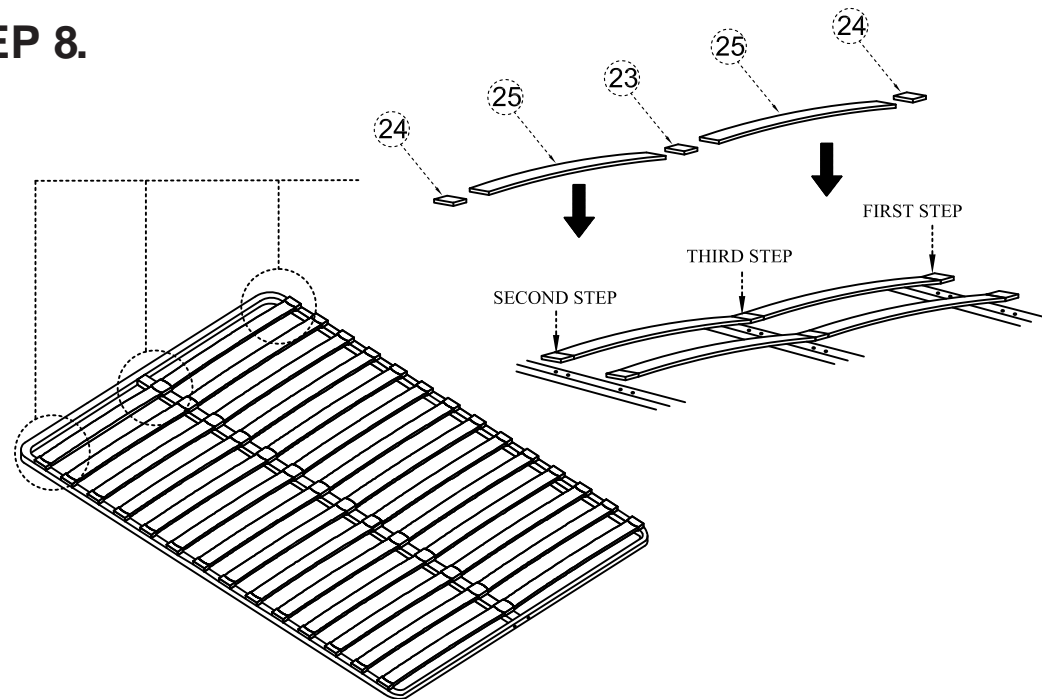
Thank you for purchasing this quality product! Be sure to check all packing material carefully for small part that may have come loose inside the carton during shipping.

CAUTION: The item is heavy, assembly should be performed by two people.

STEP 7.



STEP 8.



PARTS AND HARDWARE.

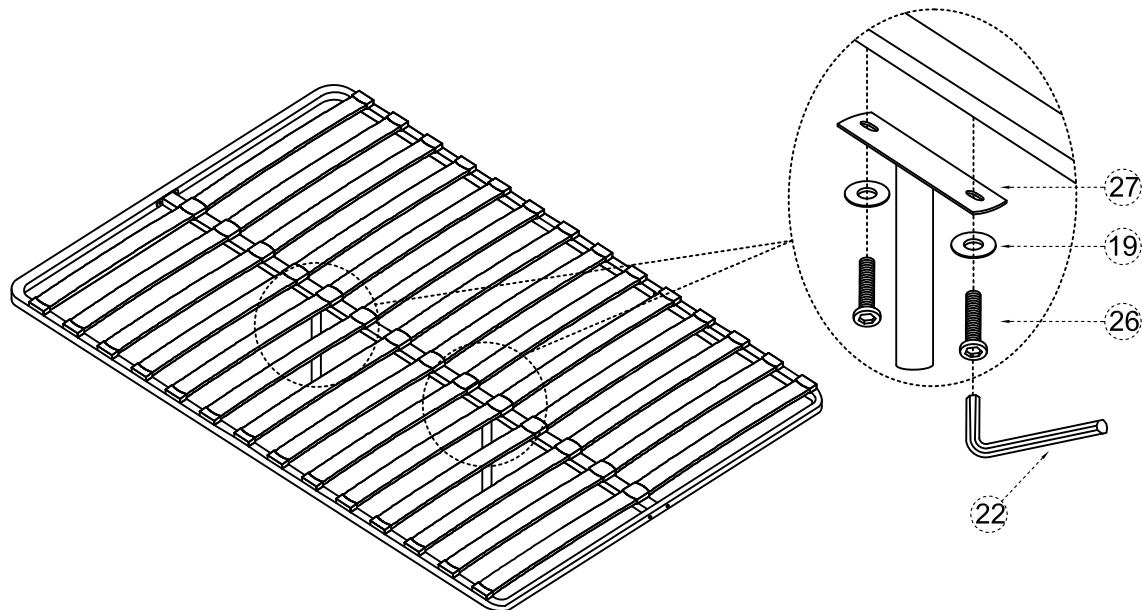
<p>18 Bolts(Ø8*45) =8pcs</p>	<p>19 Washers(m8) =20pcs</p>
<p>20 Nuts(Ø8) =8pcs</p>	<p>21 Spanner=1pc</p>
<p>22 Allen Key=1pc (m5)</p>	<p>26 Bolts(Ø8*20) =4pcs</p>
<p>27 Metal Support legs=2pcs</p>	

NOTES.

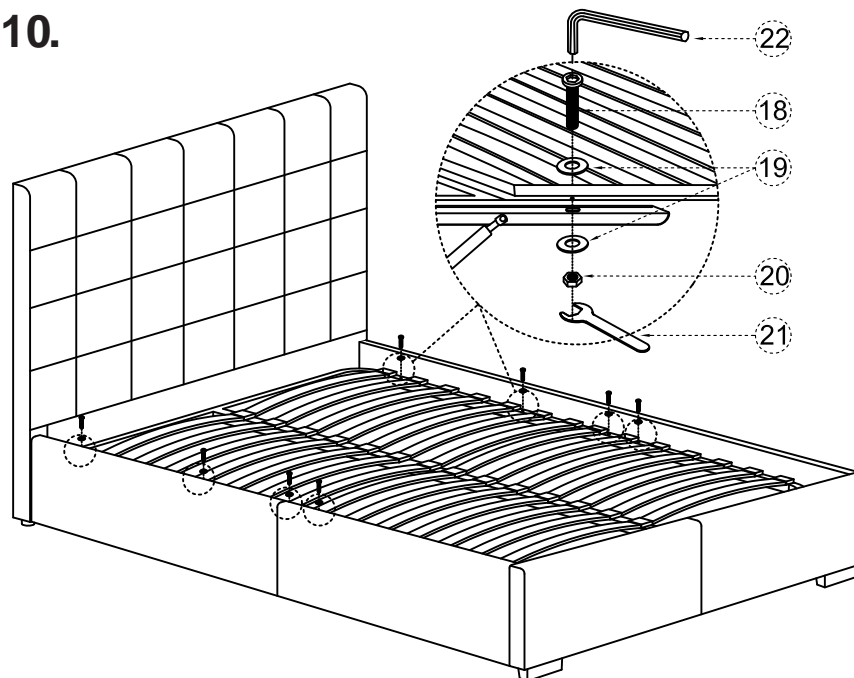
Thank you for purchasing this quality product! Be sure to check all packing material carefully for small part that may have come loose inside the carton during shipping.

CAUTION: The item is heavy, assembly should be performed by two people.

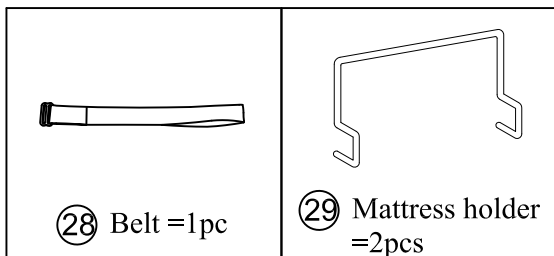
STEP 9.



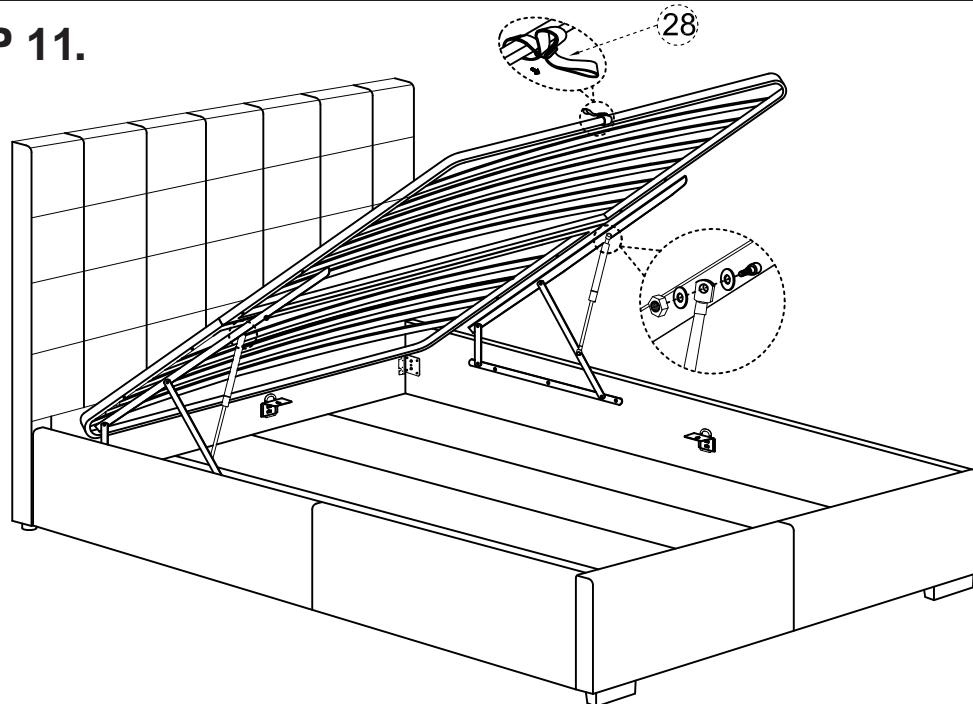
STEP 10.



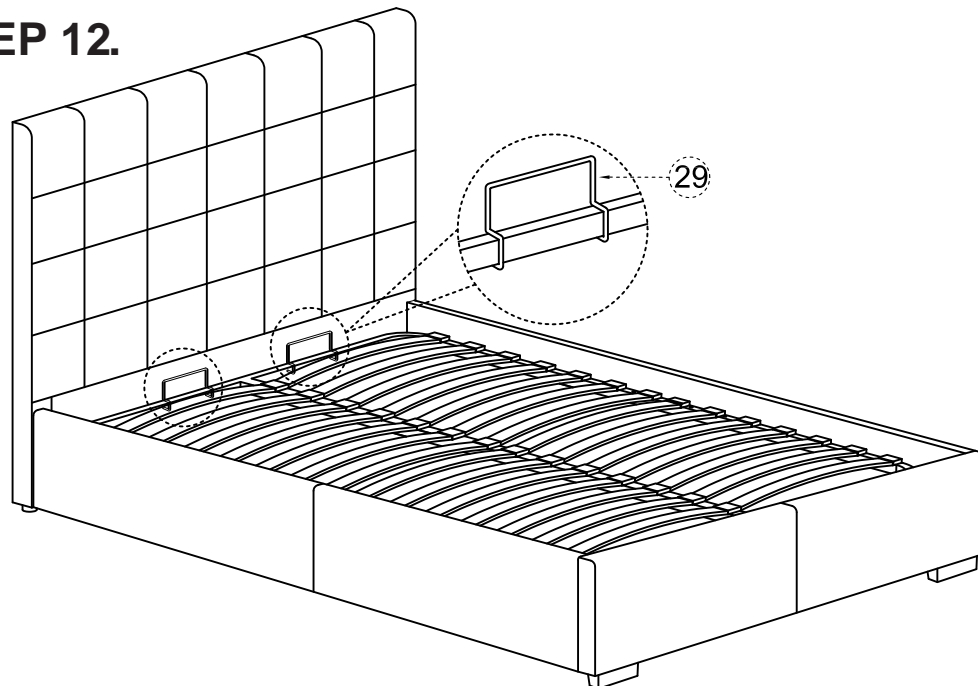
PARTS AND HARDWARE.



STEP 11.



STEP 12.



NOTES.

Thank you for purchasing this quality product! Be sure to check all packing material carefully for small part that may have come loose inside the carton during shipping.

CAUTION: The item is heavy, assembly should be performed by two people.