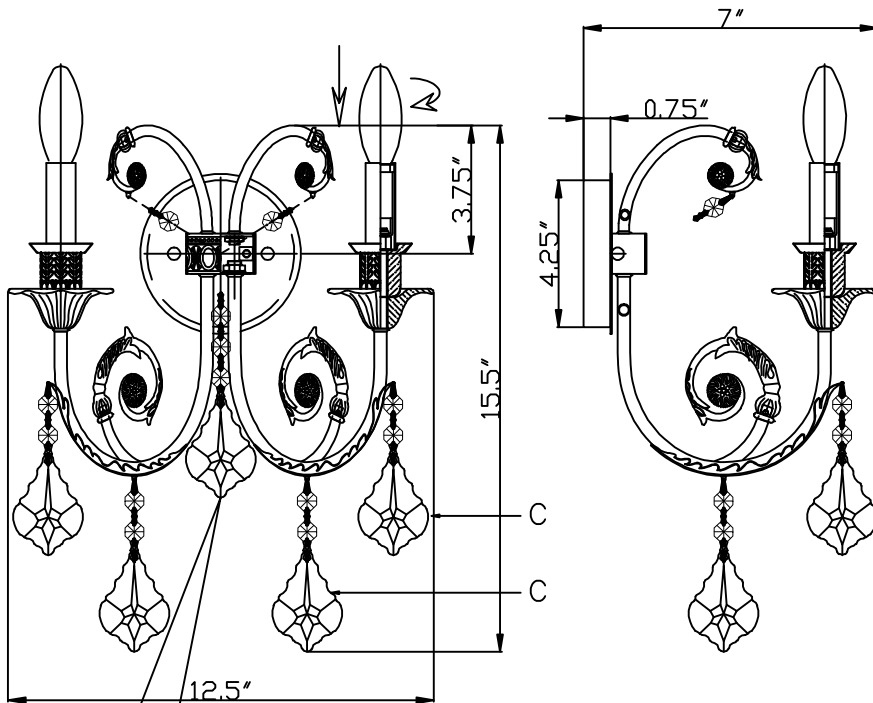


CRYSTORAMA

LIGHTING THE WAY FOR SIXTY YEARS

ASSEMBLY INSTRUCTION MODEL #5112-OS-CL-MWP



All electrical components must be installed by a licensed electrician in accordance with the National Electric Code and the appropriate local electrical codes.



You will need 2 - Cand.Bulb

40 Watts Recommended

60 Watts Max

USE LED BULBS FOR EXTENDED USE

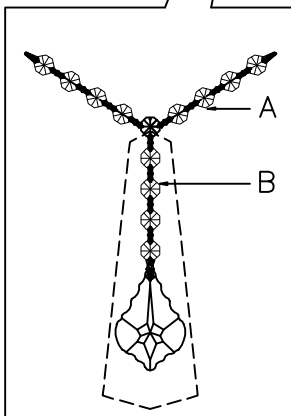
This fixture is damp rated


How to Install


1. Attach the Back Plate onto outlet box and secure it with ball nut.
2. Install the bulb(not included) onto the socket.
3. Hang the crystal drop to the Arms.


Crystal sets

- A. 1 piece. (1)14mm(4 hole)+(8)14mm.
- B. 1 piece. (4)14mm+(1)76mm.
- C. 4 pieces. (2)14mm +(1)76mm.



A =  (14mm(4 hole)X1+14mm(2 hole)X8)X1Set

B =  (14mm(2 hole)X4)+76mmX1Set

C =  (14mmX2+76mm)X4Sets



WARNING: This product can expose you to Lead, which is known to the State of California to cause cancer and/or birth defects or reproductive harm. For more information go to www.P65Warnings.ca.gov

CRYSTORAMA

LIGHTING THE WAY FOR SIXTY YEARS

PART NUMBER MODEL #5112-OS-CL-MWP

Part Number

Part Numbers

- A. (1)–Mounting hardware
- B. (1)–Back Plate; W4.25”XH0.75”; XSU5112OSBKP4.25IN
- C. (2)–Arm1
- D. (2)–Candle sleeves; $\phi 0.87$ ”X2.56”; XSU5112OSCDL2.56IN
- E. (2)–Ball Nut; XSU5112OSBANUT
- F. (2)–Bobèche; XSU5112OSBOB
- G. (2)–Arm2
- H. (1)–Cover

