

MONORAIL

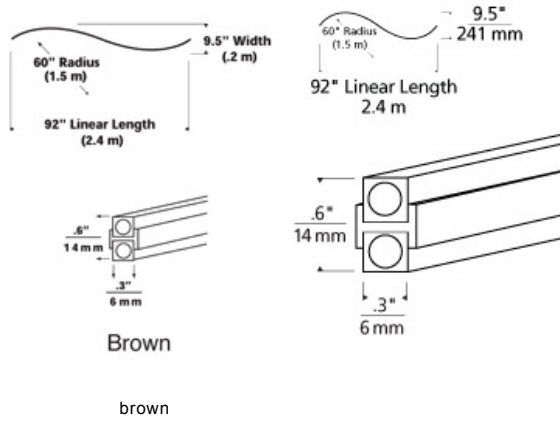
Pre-Bent S Curve MonoRail

DESCRIPTION

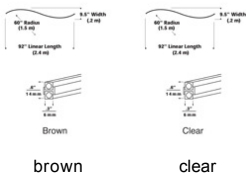
MonoRail pre-bent into a horizontal S curve. Consult the drawing for approximate dimensions. For a factory bend not shown, please call for a custom quotation.

WEIGHT

1.1lb / 0.5kg ±



COLOR OPTIONS



ORDERING INFORMATION

| 700MOBHSC60 SHAPE OR SIZE | LENGTH (A) | COLOR | FINISH |
|---------------------------|------------|--------------------------|---|
| PRE-BENT S-CURVE | 92" | BR BROWN CLEAR | Z ANTIQUE BRONZE C CHROME S SATIN NICKEL |

TECH LIGHTING®

7400 Linder Avenue T 847.410.4400
Skokie, Illinois 60077 F 847.410.4500

Tech Lighting, L.L.C.

700MOBHSC60 _____

FIXTURE TYPE: _____

JOB NAME: _____

NOTES: _____



©2014 Tech Lighting, L.L.C. All Rights Reserved. The "Tech Lighting" graphic is a registered trademark of Tech Lighting, L.L.C. Tech Lighting reserves the right to change specifications for product improvements without notification.