



# CAL LIGHTING

3625 E. Philadelphia St. Ontario CA. 91761 • Tel: 909.947.5200 • Fax:  
909.947.5673 • www.calighting.com • service@calighting.com •  
Specifications subject to change without notice

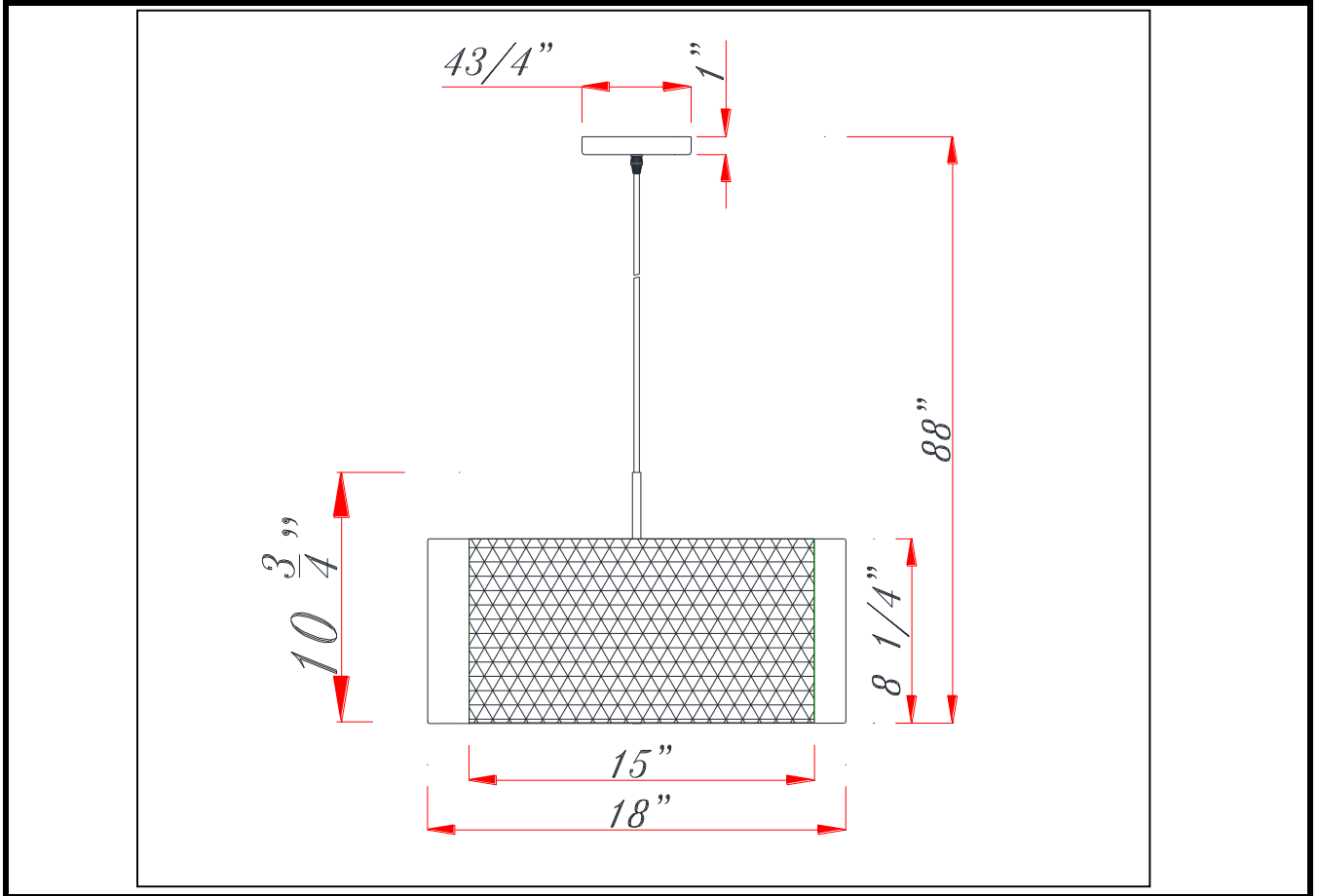
Type: \_\_\_\_\_

Project: \_\_\_\_\_

Catalog No.: \_\_\_\_\_

Lamp/Wattage: \_\_\_\_\_

## Drawing:



- Model No:** FX-3527/1P
- Description:** Nianda Pendant Fixture with Fabric Shade
- Material:** Metal/Fabric
- Finish :** Clear
- Height:** 10 3/4"
- Width:** 18"
- Wattage :** 60W\*2
- Socket :** Medium Base (E26)
- Bulb:** Incandescent
- Chain Length:**
- Wire Length:** 6'
- Wire Color:** Silver
- Shade No:**
- Material:**
- Shade size:** Dia18" x H8 1/4"

**Certificate :**

